

# Dishwasher

---

## User manual

DW50T6060 Series

---



**SAMSUNG**

# Contents

---

<b>Safety information</b>	<b>4</b>
What you need to know about the safety instructions	4
Important safety symbols	4
Before using your dishwasher	7
<b>Setting up your dishwasher</b>	<b>8</b>
Unpacking your dishwasher	8
Checking parts	9
Meeting installation requirements	10
Control panel	12
Cycle overview	14
<b>Using your dishwasher</b>	<b>15</b>
Basic guidelines	15
Touch controls	16
Delay start	16
Adjusting the height of the upper rack	17
Removing the upper rack	18
Loading the lower rack	18
Loading the upper rack	19
Using the cutlery rack	20
Using detergent	21
Using rinse aid	23
Setting mode	24
<b>Cleaning and care</b>	<b>25</b>
Cleaning	25
Cleaning the door	27
Caring for the dishwasher	27
Long-term care	27
Protect against freezing	28
How to maintain your dishwasher	28

---

<b>Cycles</b>	<b>29</b>
Cycle chart	29
<b>Troubleshooting</b>	<b>30</b>
Check these points if your dishwasher...	30
Information codes	34
<b>Appendix</b>	<b>35</b>
Helping the environment	35
Specifications	35
<b>Warranty</b>	<b>36</b>
Warranty (U.S.A)	36
Warranty (CANADA)	39

# Safety information

---

Congratulations on your new Samsung dishwasher. This manual contains important information on the installation, use, and care of your appliance. Please take time to read this manual to take full advantage of your dishwasher's many benefits and features.

## What you need to know about the safety instructions

---

Warnings and Important Safety Instructions in this manual do not cover all possible conditions and situations that may occur. It is your responsibility to use common sense, caution, and care when installing, maintaining, and operating your dishwasher.

## Important safety symbols

---

What the icons and signs in this user manual mean:

 **WARNING**

Hazards or unsafe practices that may result in **severe personal injury or death**. To reduce the risk of fire, explosion, electric shock, or personal injury when using your dishwasher, follow these basic safety precautions:

 **CAUTION**

Hazards or unsafe practices that may result in **minor personal injury or property damage**.

 **NOTE**


These warning signs are here to prevent injury to you and others.

Please follow them explicitly.

After reading this section, keep it in a safe place for future reference.

# SAVE THESE INSTRUCTIONS

## California Proposition 65 Warning

 **WARNING:** Cancer and Reproductive Harm -  
[www.P65Warnings.ca.gov](http://www.P65Warnings.ca.gov)

### **WARNING**

When using your dishwasher, follow basic precautions, including the following:

1. Read all instructions before using the dishwasher.
2. Use the dishwasher only for its intended function.
3. Use only detergents or wetting agents recommended for use in a dishwasher and keep them out of the reach of children.
4. When loading items to be washed:
  - locate sharp items so that they are not likely to damage the door seal, and
  - load sharp knives with the handles up to reduce the risk of cut-type injuries.
5. Do not wash plastic items unless they are marked "dishwasher safe" or the equivalent. For plastic items not so marked, check the manufacturer's recommendations.
6. Do not touch the HEATING ELEMENT during or immediately after use.
7. Do not operate your dishwasher unless all ENCLOSURE panels are properly in place.
8. Do not tamper with the controls.
9. Do not abuse, sit on, or stand on the door or dish rack of the dishwasher.
10. To reduce the risk of injury, do not allow children to play in or on the dishwasher.
11. Under certain conditions, hydrogen gas may be produced in a hot-water system that has not been used for two weeks or more. HYDROGEN GAS IS EXPLOSIVE. If the hotwater system has not been used for such a period, before using the dishwasher turn on all hot-water faucets and let the water flow from each for several minutes. This will release any accumulated hydrogen gas. As the gas is flammable, do not smoke or use an open flame during this time.
12. Remove the door to the washing compartment when removing an old dishwasher from service or discarding it.

# SAVE THESE INSTRUCTIONS

# Safety information

## CAUTION

- After unpacking the dishwasher, keep the packaging out of the reach of children.
- The dishwasher is extremely heavy. Do not attempt to move or carry the dishwasher by yourself. Two or more people are needed to move a dishwasher and avoid potential injuries.
- As with any equipment using electricity, water, and moving parts, potential hazards exist.
- Do not install the dishwasher near electrical components. Keep the dishwasher away from open flames.
- Install and level your dishwasher on an uncarpeted floor that can support its weight.
- Your dishwasher must be properly grounded. Never connect it to an ungrounded outlet. See page 7 for more information on grounding your dishwasher.
- Connect the ground wire to the green ground connector in the terminal box.
- After the dishwasher is installed, check that the drain hose is properly connected and that there is no leakage from the hose connectors. If the drain hose is loose, it may cause property damage.
- The water supply line is susceptible to breakage. As time goes by, it becomes less flexible. Check the line periodically. If it is swollen, torn, cut, or there is a water leak, replace it immediately.
- To safely operate this appliance, familiarize yourself with its operations and exercise care when using it.
- Do not put gasoline, solvents, or other flammable materials inside the dishwasher. Do not wash dishes exposed to these materials.
- Keep your dishwasher detergent out of the reach of children. Detergent has an adverse effect on human organs. It contains elements for polishing and is corrosive. Avoid letting the detergent come into contact with your skin and eyes.
- Do not push or place pressure on the door when it is open, as this may damage the dishwasher or cause harm.
- Do not allow children to play in or on the dishwasher. They may harm themselves or damage the dishwasher.
- Disconnect the power cable (or set the circuit breaker to off) before servicing your dishwasher.
- Do not repair, replace, or service any part of your dishwasher yourself. Disassembly, repairs, and modifications are permitted by authorized service technicians only. Work done by an unauthorized person may void your warranty.
- Before disposing of your dishwasher, remove the door of the washing compartment or the door latch so that children or small animals cannot get trapped inside.
- If the dishwasher is left unused for an extended period of time, turn off the water supply.
- This dishwasher is intended for residential use only.

## SAVE THESE INSTRUCTIONS

---

## Before using your dishwasher

---

### WARNING



#### Tip-Over Hazard

- Do not use the dishwasher until it is correctly installed.
- Do not push down on the dishwasher door when it is open.
- Do not place excessive weight on the dishwasher door when it is open.



#### Electric Shock Hazard

Failure to follow these instructions can result in death, fire, or electric shock:

- Electrically ground the dishwasher.
- Connect the ground wire to the green ground connector in the junction box.
- Do not use an extension cord.

# SAVE THESE INSTRUCTIONS

# Setting up your dishwasher

---

Be sure to have your installer follow these instructions closely so that your new dishwasher works properly and that you're not at risk of injury when washing dishes.

## Unpacking your dishwasher

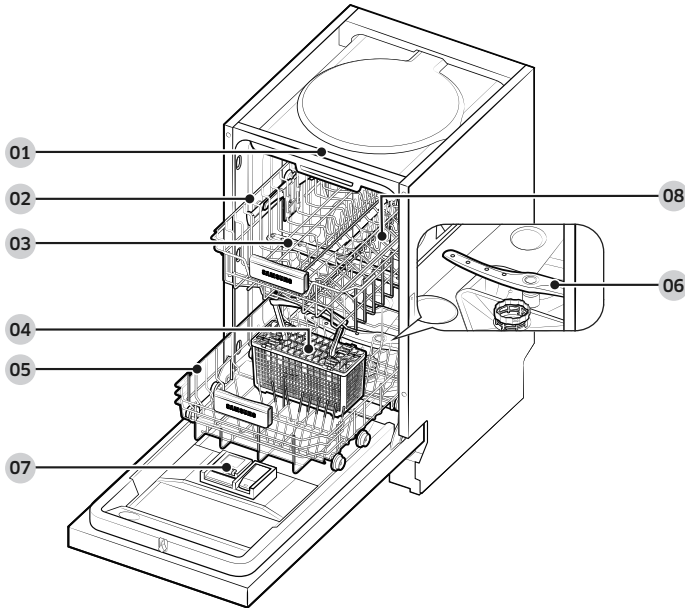
---

- Once your new dishwasher has been delivered to you, carefully unpack it and check for any damage. If the dishwasher has been damaged, make note of it on the waybill and keep a copy. Do not install the dishwasher, and contact Samsung Customer Service at 1-800-SAMSUNG (726-7864).
- If there is no damage to the product, you can proceed with the installation. If you are going to install it yourself, make sure to read through the installation guide and follow the directions inside.
- After unpacking your dishwasher, keep the packaging out of the reach of children to ensure their safety.



## Checking parts

When your dishwasher has been unpacked, make sure you've received all the parts shown below. If your dishwasher was damaged during shipping, or if you do not have all the parts, contact **Samsung Customer Service at 1-800-SAMSUNG (726-7864)**.



**01** Lock

**02** Upper Basket

**03** Upper Nozzle

**04** Cutlery Basket

**05** Lower Basket

**06** Lower Spray Arm

**07** Rinse Aid Dispenser

**08** Cup Shelf

### NOTE

- **Accessory parts:** User/Installation manual, Installation Kit.
- Depending on the models, actual parts may look different from the figures.

# Setting up your dishwasher

---

## Meeting installation requirements

---

### Electrical supply and grounding

#### **WARNING**

To prevent the risk of fire, electric shock, or personal injury, all wiring and grounding must be done in accordance with the National Electrical Code ANSI/FNPA, No. 70 Latest Revision and local codes and ordinances. It is the personal responsibility of the appliance owner to provide adequate electrical service for this appliance.

#### **CAUTION**

- Never use an extension cord.
- When preparing for installation, ensure that you provide:
  - An individual branch circuit with a 120 V, 60 Hz, 15 AMP fuse or circuit breaker that serves only your dishwasher .
- Your dishwasher must be grounded. If your dishwasher malfunctions or breaks down, grounding will reduce the risk of electric shock by providing a path of least resistance for the electric current.

#### **WARNING**

Never connect the ground wire to plastic plumbing lines, gas lines, or hot water pipes.

---

## Water supply

The hot water supply line pressure must be between 20-120 psi (140-830 kPa).  
Adjust your water heater to deliver water between 120 °F (49 °C) and 149 °F (65 °C).

### NOTE

- Most plumbing supply stores sell water supply lines of various lengths up to 10 feet (305 cm) long.
- You can reduce the risk of leaks and water damage by:
  - Making water faucets easily accessible.
  - Turning off faucets when the dishwasher is not in use.
  - Periodically checking for leaks at water supply line fittings.

### WARNING

Before using your dishwasher for the first time, check all connections at the water supply valve and faucets for leaks.

## Flooring

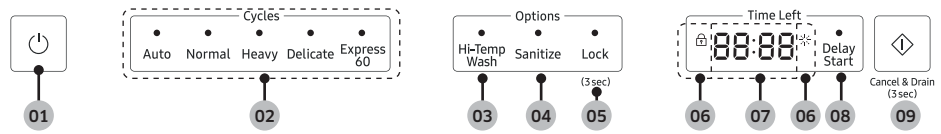
For safety, your dishwasher must be installed on a solidly constructed floor.  
Never install your dishwasher on a platform or poorly supported structure.

Your dishwasher must be properly installed in accordance with the Installation Guide before you use it. If you did not receive an Installation Guide with your dishwasher, you can obtain one by visiting our website at [www.samsung.com](http://www.samsung.com).

# Setting up your dishwasher

## Control panel

Setting up your dishwasher



<b>01 POWER</b>	When you press the <b>POWER</b> button, the entire display turns on and off. When the selected cycle is complete, the dishwasher powers off automatically.
<b>02 Cycles</b>	Select the appropriate wash cycle depending on the soil level of your dishes.
<b>03 Hi-Temp Wash</b>	Raises the main wash temperature to improve cleaning for loads containing tough, baked-on food. <b>NOTE</b> Hi-Temp Wash is not available for the <b>Delicate</b> and <b>Express 60</b> cycle.
<b>04 Sanitize</b>	The temperature rises to 156 °F (69 °C) in the final rinse cycle for high temperature sanitization. If you select the <b>Sanitize</b> option, the "Sanitize" lamp blinks when the water temperature reaches the sanitary temperature [over 156 °F (69 °C)], and then remains illuminated until the cycle ends. When you press the <b>POWER</b> button, the "Sanitize" lamp turns off. <b>NOTE</b> <ul style="list-style-type: none"> <li>The <b>Normal</b> cycle with the <b>Sanitize</b> option selected is <b>NSF certified</b>.</li> <li>The <b>Sanitize</b> feature operates in accordance with <b>NSF/ANSI Standard 184</b> for residential dishwashers. Certified residential dishwashers are not intended for licensed food establishments.</li> </ul>
<b>05 Control Lock (3sec)</b>	Control Lock lets you lock the buttons on the control panel so children cannot accidentally start the dishwasher. To activate Control Lock, hold the <b>Control Lock</b> button down for three (3) seconds. To de-activate Control Lock, hold the <b>Control Lock</b> button down for three (3) seconds again.
<b>06 Indicator</b>	<ul style="list-style-type: none"> <li><b>Rinse refill</b> If the "Rinse refill" indicator is lit, it means the dishwasher is low on dishwasher rinse aid and requires a refill.</li> <li><b>Delay start</b> If the "Delay start" indicator is lit, it means, you selected the "Delay Start" option.</li> </ul>

<b>07 Display Window</b>	Displays the running time, Delay start hours, and information codes. If a problem occurs during operation, a check message will be displayed with a warning sound.
<b>08 Delay Start</b>	Delay a cycle for up to 24 hours in one-hour increments. The hour displayed indicates the time at which the wash will be started.
<b>09 START</b>	To start a cycle, press the <b>START</b> button before closing the door. * Reset: To cancel a currently running cycle and drain the dishwasher, press and hold the <b>START</b> button for three (3) seconds. Once the dishwasher is reset, select a cycle and option, and then press <b>START</b> to restart the dishwasher.

**NOTE**

- You can select options (**Hi-Temp Wash**, **Sanitize**) before starting a cycle. If you change the cycle after selecting an option, the original cycle is reset.
- When you pause a cycle by opening the door during operation, press the **START** button before closing the door to continue the cycle.
  - Push the door firmly closed within 3 seconds of pressing the **START** button.
  - If the door is not closed within 3 seconds, the cycle will not start.
- To prevent the touchpad from losing response sensitivity, follow these instructions:
  - Touch the center of each keypad using one finger. Do not push.
  - Clean the touch control's surface regularly with a soft, damp cloth.
  - Be careful not to touch more than one button at a time, except as directed.

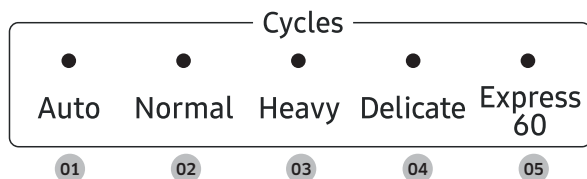


**IMPORTANT**

To get the best performance from your dishwasher, read all the operating instructions before using it for the first time.

# Setting up your dishwasher

## Cycle overview



<b>01 Auto</b>	This cycle detects the level of soil and automatically initiates the optimal cycle, which is appropriate for all levels of soiled items.
<b>02 Normal</b>	For normally soiled loads, such as pots, plates, glasses, and lightly soiled pans. Standard daily cycle.
<b>03 Heavy</b>	Select this cycle for heavily soiled items.
<b>04 Delicate</b>	Select this cycle for lightly soiled, fragile items such as glasses. Sanitize option is not available in this cycle.
<b>05 Express 60</b>	Normally soiled daily using items, with short cycle time. Sanitize option is not available in this cycle.

# Using your dishwasher

## Basic guidelines

1. Open the door and load your dishes (See pages 18 to 19).
  - Place dishes into the upper and lower racks.
  - Remove any food remains from the dishes before placing them in the rack(s).
  - After placing the dishes into the racks, rotate the nozzles by hand to check whether any of the dishes will interfere with them.
  - Make sure the dishes will not prevent the detergent dispenser from opening.
2. Add detergent to the dispenser (see page 21).
  - Make sure to use only automatic dishwasher detergent and rinse aid.
  - Refer to “Using detergent” on page 21 for instructions explaining how to add detergent and rinse aid.
3. Press the **POWER** button.
  - When you press the **POWER** button, the entire display turns on and then the indicator of the most recently finished cycle lights up.
  - If “Rinse refill” (☼) is illuminated, you should refill the rinse aid dispenser to improve washing and drying performance.
4. Select an appropriate cleaning cycle depending on the soil level of the dishes. (See pages 14 and 29.)
  - Press the appropriate **Cycles** button.
  - When you press a **Cycles** button, the cycle indicator lights up.
5. Press the **START** button, and then close the door within 3 seconds.
  - The dishwasher will start draining after a few seconds, and then start the selected cycle.
  - Make sure to close the door firmly. If the door is not closed properly, the selected cycle will not start automatically.
6. When the wash cycle is completed.
  - The light illuminates and the dishwasher sounds a chime.
  - The dishwasher powers off automatically.

### ⚠ CAUTION

- If you want to load more dishes or pause the dishwasher while it is already running, make sure to open the door slowly and carefully as there is a possibility of injury from the hot steam inside the dishwasher.
- If the door is opened while the dishwasher is running, a safety mechanism is activated and stops the cycle.
- To resume operation, press the **START** button, and then close the door within 3 seconds.
- Adding dishes several minutes after the dishwasher starts operating may affect its performance.
- If you open the door while the dishwasher is running at high temperature, it will drain the hot water automatically to protect you from scalding.

# Using your dishwasher

---

## NOTE

- You should use rinse aids for better drying performance. You can further improve drying performance by also selecting the **Sanitize** option.
- Open the dishwasher's door, and then wait a few minutes before removing the dishes. The dishes will be cooler and drying will be improved.

## Touch controls

---

Touch controls allow you to operate the dishwasher easily.

- They are convenient to operate, requiring only a soft touch.
- They have a simple and stylish design.
- They are easy to clean.

## NOTE

If you have children or you want to clean the control Interface, we recommend activating the **Control Lock** feature to lock the control buttons. See page **12**.

- Children will not be able to accidentally start the dishwasher by touching the controls with this option selected.
- If a cycle is running, the buttons will not respond. (except the **POWER** button)
- If dishwasher is off, only the **POWER** button responds.

## Delay start

---

When you select the **Delay Start** option, your dishwasher will operate the selected cycle when the delay time expires.

## WARNING

- When using the dishwasher, try to arrange the dishes properly as described on pages **18** to **20**.
  - You should remove food remains such as bones, fruit seeds, etc. and any other waste such as toothpicks, paper, etc. from the dishes as these may cause damage to the dishes, create noise, or cause the dishwasher to malfunction.
  - Select the appropriate cycle depending on the level of soil and the type of dishes.
  - Use only the proper amount of detergent and rinsing agent.
- **Do not wash the following items:**
  - **Acrylic or aluminum items:** Dishes with printed gold rim decoration may become discolored.
  - **Dishes treated with adhesive:** Treated plastics, wood, ivory, copper, and tin may come loose.
  - **Plastics with a temperature tolerance less than 194 °F (90 °C):** Thin plastics wash and dry poorly, and may be damaged due to elevated wash temperatures.
  - **Tin:** Tin should be washed by hand and dried immediately as it may rust.
  - **Wooden utensils:** Wooden items may crack.



---

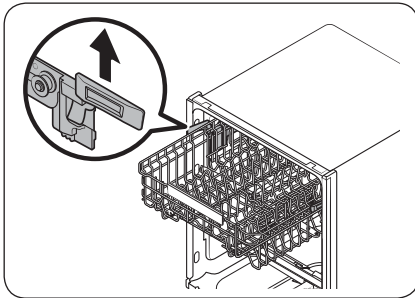
## Adjusting the height of the upper rack

---

You can adjust the height of the upper rack so that the lower rack can accommodate larger sized dishes. Depending on the height of the upper rack, the lower rack can accommodate plates up to 29 cm in diameter, and the upper rack can accommodate plates up to 18 cm in diameter.

**⚠ CAUTION**

- Adjust the height of the upper rack before loading dishes into the rack. Adjusting the rack after loading the dishes may damage the dishes.
- Make sure to hold both handles when adjusting, or the dishwasher door may not close properly.



- To raise the upper rack, pull the upper rack upwards. The adjustable handle will latch, and the upper rack will raise.
- To lower the upper rack, hold both the adjustable handles located at the left and right sides of the upper rack, and then evenly press down.

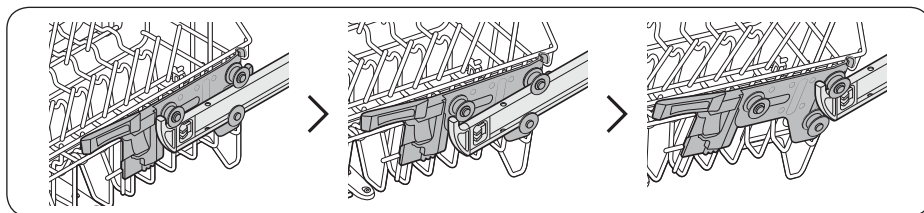
# Using your dishwasher

## Removing the upper rack

Pull the upper rack to the front until it is fully extended, and then lift it slightly to remove. See the following figures.

### ⚠ CAUTION

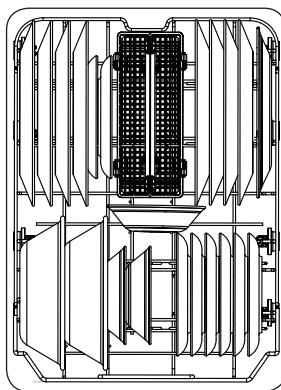
While the upper rack is removable, it must be installed for the dishwasher to operate properly. If you attempt to operate the dishwasher without the rack, noise will occur and the dishwasher will perform poorly.



## Loading the lower rack

The lower rack has been specially designed for dinner dishes, soup bowls, plates, pots, lids, casserole dishes, and plates.

Load large items such as pans and pots into the dishwasher so their open sides face downwards. We recommend loading cups, stemware, and small plates into the upper rack. See the recommended loading patterns below.



8 place setting

---

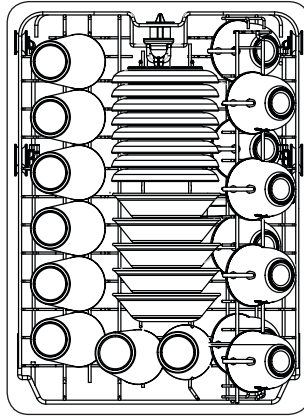
## Loading the upper rack

---

The upper rack has been designed for small plates, mugs, glasses, and plastic items marked “dishwasher safe”. Load your plates into the dishwasher in two half rows, so that the front of each plate faces the back of the plate in front of it, and the open sides of the plates at the center of the dishwasher face each other. See the figures below.

Make sure the loaded dishes do not interfere with the rotation of the nozzle which is located at the bottom of the upper rack. (Check this by rotating the nozzle by hand.)

When loading dishes, pull the upper rack out sufficiently so you can load it without striking the counter above.



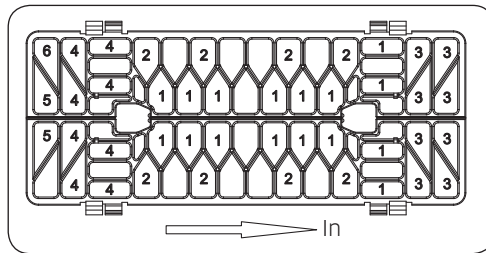
8 place setting

# Using your dishwasher

## Using the cutlery rack

You can place each knife, spoon, or fork separately into the spoon stands in the basket's covers to prevent chipping and discoloration.

You can use the cutlery rack with the cover open.

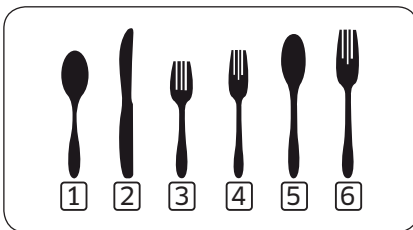


8 place setting

The spoon stands as seen from above with the suggested placement of cutlery items. Match the numbers in the diagram to the numbers in the list of cutlery items below.

**NOTE**

DO NOT let any item extend through the bottom.



1. Spoons
2. Knives
3. Salad forks
4. Forks
5. Large spoons
6. Large forks

## Using detergent

All dishwasher cycles require detergent in the detergent compartment. Add the correct amount of detergent for the selected cycle to ensure the best performance.

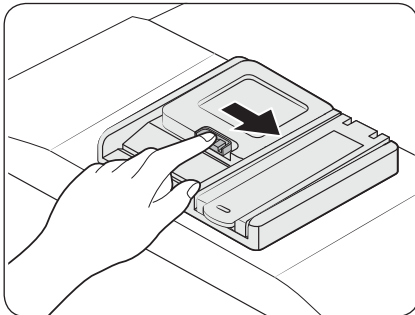
### ⚠ CAUTION

Use dishwasher detergent only. Regular detergent produces too much foam, which may decrease the dishwasher's performance or cause it to malfunction.

### ⚠ WARNING

- Do not swallow dishwasher detergent. Avoid breathing in the fumes. Dishwasher detergent contains irritants and caustic chemicals that can induce respiratory conditions. If you have swallowed dishwasher detergent or inhaled the fumes, seek medical attention immediately.
- Keep dishwasher detergent out of the reach of children.

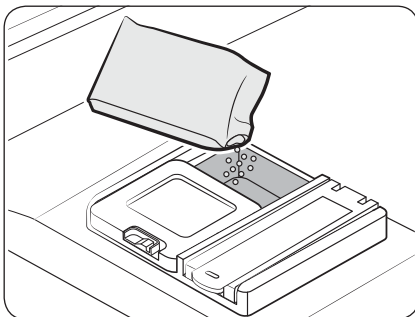
### Filling the detergent dispenser



1. Open the detergent dispenser flap by pushing the detergent dispenser release catch.

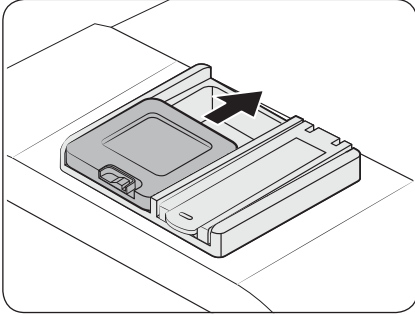
### 📖 NOTE

The flap is always open at the end of a dishwashing cycle.



2. Add the recommended amount of detergent to the main wash detergent compartment.

# Using your dishwasher



- Close the flap by sliding it and then pressing it down.

**NOTE**

- There is no separate button that sets the dispenser for tablet detergents.
- For better cleaning result, especially if you have very dirty items, pour a small amount (about 0.3 oz or 8 g) of detergent on the door before closing it. This will activate during the pre wash phase.

The cover opens automatically to dispense the detergent during the wash.

Cycle	Amount of detergent	
	Main wash dispenser	Onto the door for pre-wash
Auto, Normal	3/4 oz (20 g)	1/3 oz (10 g)
Heavy, Express 60	1 oz (30 g)	1/2 oz (15 g)

**NOTE**

The numbers inside the dispenser refer to grams.

## Using rinse aid

### Filling the rinse aid reservoir

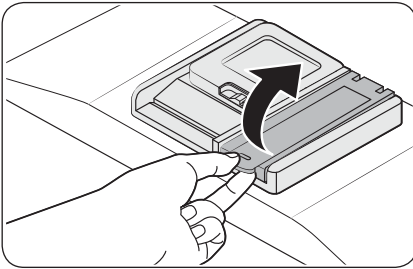
When the Rinse refill indicator lights up on the control panel, refill with rinse aid.

Your dishwasher has been designed to use liquid rinse aid only.

Using a powdered rinse aid will clog the reservoir opening and cause the dishwasher to malfunction. Rinse aid improves the drying performance of the dishwasher.

#### ⚠ CAUTION

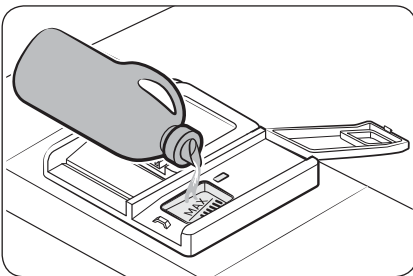
Do not add regular detergent to the rinse aid reservoir.



1. Remove the rinse aid reservoir cap by lifting up the handle.

#### 📖 NOTE

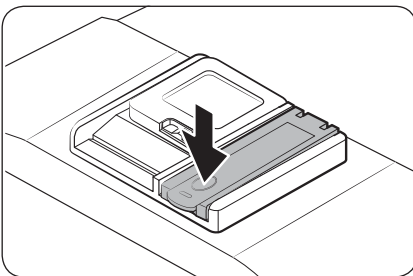
Adding rinse aid when you use tablet detergents will improve drying performance.



2. Fill the rinse aid reservoir with rinse aid.

#### ⚠ CAUTION

Do not fill the reservoir above the maximum level. Excess rinse aid can overflow during the wash cycle.



3. Close the cap.

# Using your dishwasher

---

## Setting mode

---

You can change the sound, auto door open function and rinse aid level settings to your preference.

### Entering the Setting mode

1. Turn the dishwasher on.
2. Press and hold the **Auto** cycle button for five seconds within 60 seconds from turning on the dishwasher.
  - When you entered the Setting mode, the display will show "0:00".

### Sound setting

You can turn the sound on or off.

1. Press the **Hi Temp** button to select the sound setting menu.
  - The display shows the current setting. (Default setting: "U1")
2. Press the **Auto** cycle button to change the setting.
  - U0: Sound off
  - U1: Sound on
3. Wait 5 seconds to save the setting.

### Auto door open function setting

You can set the dishwasher to automatically open the door after each cycle for better drying results.

1. 1. Press the **Sanitize** button to select the auto door open function setting menu.
  - The display shows the current setting. (Default setting: "A1")
2. 2. Press the **Auto** cycle button to change the setting.
  - A0: Function disabled
  - A1: Function enabled
3. Wait 5 seconds to save the setting.

### Rinse aid level setting

You can change the amount of rinse aid applied during a cycle.

1. Press the **Express 60** button to select the rinse aid level setting menu.
  - The display shows the current setting. (Default setting: "d4")
2. Press the **Auto** cycle button to change the setting.
  - You can select from d1 - d5 (minimum - maximum).
3. Wait 5 seconds to save the setting.



# Cleaning and care

## Cleaning

Keep the dishwasher clean to improve performance, reduce unnecessary repairs, and lengthen the lifecycle.

### Exterior

Clean spills on the surface of the dishwasher immediately. Use a soft, damp cloth on the control panel to gently wipe away spills and dust.

#### ⚠ CAUTION

- Do not use benzene, wax, thinner, chlorine bleach, alcohol, or other chemical substances. These materials may discolour the surface of the dishwasher and cause stains.
- The dishwasher has electric parts inside. Do not spray water directly onto the dishwasher. Protect electrical components from water.
- For a stainless-steel door panel, use a stainless steel cleaner for home appliances and a clean, soft cloth.

### Interior

Clean the interior of the dishwasher on a regular basis to remove any dirt or food particles. Wipe inside the dishwasher and inside the door with a wet dishcloth.

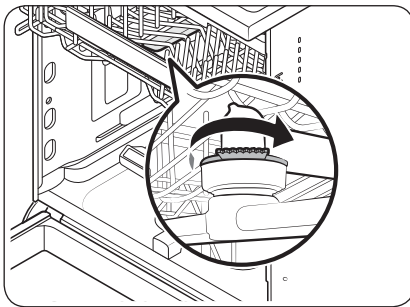
#### ⚠ CAUTION

- Do not remove the front seal (the long rubber seal enclosing the opening of the dishwasher). The seal keeps the inner side of the dishwasher sealed.
- Use a damp cloth to remove lime scale or grease deposits inside the dishwasher. Alternatively, apply some detergent, and then run an empty cycle using the highest rinse temperature.

### Nozzles

To prevent the nozzles from being clogged or if the nozzles are clogged, remove and clean each nozzle. Use caution when removing the nozzles as they may break.

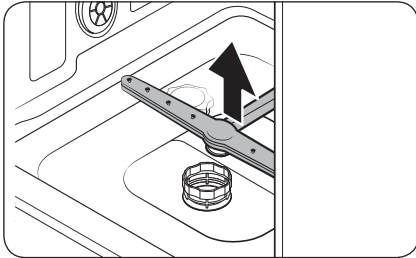
#### Upper nozzle



1. Open the door, and then pull out the upper rack to reveal the upper nozzle.
2. Loosen and remove the nut, and then remove the nozzle.
3. Unclog and clean the nozzle.
4. Reinsert the nozzle, and then tighten the nut by hand.
5. Rotate the nozzle by hand to make sure the nozzle is engaged correctly.

# Cleaning and care

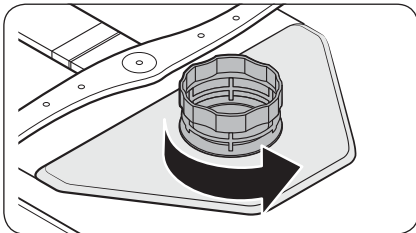
## Lower nozzle



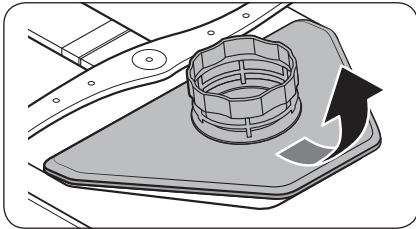
1. Open the door, and then pull out the lower rack. The lower nozzle is visible on the bottom.
2. Unclog and clean the nozzle.
3. Reinsert the nozzle.
4. Rotate the nozzle by hand to make sure the nozzle is engaged correctly.

## Filter

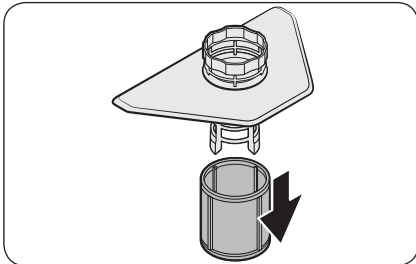
We recommend cleaning the filter every month.



1. Open the door, and then remove the lower rack first.
2. Turn the filter handle counterclockwise to unlock the Coarse filter.



3. Remove the Coarse filter, and then the cylindrical micro filter underneath.



---

## Cleaning the door

---

To clean the edge around the door, you should use only a soft cloth dampened in warm water.

Also, never use abrasive cleaners or scouring pads on the outer surfaces. They will scratch the finish. Some papers towels can also scratch or leave marks on the surface.

### **WARNING**

Never use a spray cleaner to clean the door panel. The spray can damage the door lock and electrical components. Do not use an abrasive cleaning agent or paper towels to clean the door. They can scratch the door or leave spots on the stainless steel surface.

---

## Caring for the dishwasher

---

To clean the control panel, use a lightly dampened cloth then dry thoroughly. To clean the exterior, use a good appliance polish wax.

Never use sharp objects, scouring pads or harsh cleaners on any part of the dishwasher.

---

## Long-term care

---

If you will not use the dishwasher for an extended period of time, first drain the unit completely, and then disconnect the water hose. Shut off the water supply valve and the circuit breaker. Water remaining in the hoses or the internal components can damage the dishwasher.

# Cleaning and care

---

## Protect against freezing

---

If your dishwasher is left in an unheated place during the winter:

1. Cut off electrical power to the dishwasher.
2. Turn off the water supply and disconnect the water inlet pipe from the water valve.
3. Drain water from the inlet pipe and water valve. (Use a pan to catch the water.)
4. Reconnect the water inlet pipe to the water valve.
5. Remove the filter from the bottom of the tub and use a sponge to dry up any water.

## How to maintain your dishwasher

---

### After every wash

- After every wash, turn off the water supply to the appliance and leave the door slightly ajar so that moisture and odors are not trapped inside.

### Remove the plug

- Before cleaning or performing maintenance, always remove the plug from the socket.

### No solvents or abrasive cleaners

- To clean the exterior and rubber parts of the dishwasher, do not use solvents or abrasive cleaning products. Use only a cloth and warm, soapy water. To remove spots or stains from the surface of the interior, use a cloth dampened with water and a little white vinegar, or a cleaning product made specifically for dishwashers.

### When you go on vacation

- When you go on vacation, we recommend that you run a wash cycle with the dishwasher empty and then unplug the power cord, turn off the water supply and leave the door of the appliance slightly ajar. This will help the seals last longer and prevent odors from forming within the appliance.

### Moving the appliance

- If the appliance must be moved, try to keep it in the vertical position. If absolutely necessary, it can be positioned on its back.

### Seals

- One of the factors that causes odors to form in the dishwasher is food that remains trapped in the seals. Periodic cleaning with a damp sponge will prevent this from occurring.

# Cycles

## Cycle chart


Cycle		Auto	Normal	Heavy	Delicate	Express 60
Cycle sequence		Prewash ▶ Mainwash ▶ Rinse ▶ Hot Rinse ▶ Dry ▶ End				
Temp [°F (°C)]	Main wash	131-140 (55-60)	113-140 (45-60)	149 (65)	122 (50)	140 (60)
	Hot Rinse *Sanitize 156 °F (69 °C)	126 (52)	126 (52)	131 (55)	122 (50)	122 (50)
Water consumption [gal (ℓ)]		2.4-4.7 (9-17.7)	2.4-4.7 (9-17.7)	4.7 (17.7)	4.2 (15.9)	3.4 (12.8)
Cycle time (min.)		123-154	118-149	157	116	60

- When you select the **Auto** or **Normal** cycle, you can eliminate optional steps depending on the soil level of the dishes.
- The water consumption and wash time varies depending on the steps or options you add, and on the pressure and temperature of the supplied water.
- When you select any options, the cycle time can be changed.
- When the Rinse aid is empty, wash time and Last Rinse temperature will be increased.
- When you select the **Sanitize** option, drying will be added before the end of cycle.

# Troubleshooting

## Check these points if your dishwasher...

Problem	Possible cause	Solution
Will not start.	The door is not closed completely.	<ul style="list-style-type: none"> <li>Check if the door is latched and closed completely.</li> </ul>
	No cycle is selected.	<ul style="list-style-type: none"> <li>Select a proper cycle.</li> </ul>
	The power cable is not connected.	<ul style="list-style-type: none"> <li>Connect the power cable properly.</li> </ul>
	The water supply does not work.	<ul style="list-style-type: none"> <li>Check if the water supply valve is open.</li> </ul>
	The Control Panel is locked.	<ul style="list-style-type: none"> <li>Unlock the Control Lock. (See page 12)</li> </ul>
	A circuit breaker is open.	<ul style="list-style-type: none"> <li>Reset the circuit breaker.</li> </ul>
Is taking too long with an operation or cycle.	Cold water is being supplied.	<ul style="list-style-type: none"> <li>Make sure the water supply line is connected to a hot water supply. (Additional time is required to heat cold water.)</li> </ul>
There are food particles remaining on dishes. (Not cleaning properly.)	You selected an inappropriate cycle.	<ul style="list-style-type: none"> <li>Select a cycle according to the number and soil level of the dishes, as directed in this manual.</li> </ul>
	The water temperature is low.	<ul style="list-style-type: none"> <li>Connect the water supply line to a hot water supply.</li> <li>For best performance, the temperature of the supplied water should be 120 °F (49 °C).</li> </ul>
	Low water pressure.	<ul style="list-style-type: none"> <li>The water pressure should be between 20 and 120 psi (140-830 kPa).</li> </ul>
	Dishwasher detergent was not used.	<ul style="list-style-type: none"> <li>Use automatic dishwasher detergent.</li> <li>We recommend a powder or gel type dishwasher detergent.</li> </ul>

Problem	Possible cause	Solution
There are food particles remaining on dishes. (Not cleaning properly.)	Detergent remains in the dispenser. 	<ul style="list-style-type: none"> <li>• Make sure large items such as cookie sheets, cutting boards, or containers, etc. are not blocking the detergent dispenser and preventing it from opening properly.</li> <li>• Rearrange the dishes so they do not interfere with detergent dispenser operation.</li> </ul>
	There is no rinse aid.	<ul style="list-style-type: none"> <li>• Check the dispenser and add rinse aid.</li> <li>• Use liquid type rinse aid.</li> </ul>
	A nozzle is clogged.	<ul style="list-style-type: none"> <li>• Clean the nozzle. See page 25.</li> </ul>
	The dishes are improperly loaded. Too many dishes have been loaded.	<ul style="list-style-type: none"> <li>• Rearrange the dishes so they do not interfere with nozzle rotation and detergent dispenser operation.</li> <li>• Load only an appropriate number of dishes.</li> <li>• Load your dishes as recommended. (See pages 18 to 19)</li> </ul>
Leaves glasses with a dim polish.	The water supplied is soft and too much detergent was used.	<ul style="list-style-type: none"> <li>• Underload the dishwasher and use a rinse aid to minimize this.</li> </ul>
	Aluminum dishes were included in the wash load.	<ul style="list-style-type: none"> <li>• Remove the marks on the dishes using a low sensitivity cleaner.</li> </ul>
Leaves a yellow or brown film on the inside of the dishwasher.	This is caused by coffee and tea soils.	<ul style="list-style-type: none"> <li>• Remove the soils using a spot cleaner.</li> </ul>

# Troubleshooting

Troubleshooting

Problem	Possible cause	Solution
Does not dry dishes well.	There is no rinse aid in the dispenser.	<ul style="list-style-type: none"> <li>• Check the dispenser and add rinse aid.</li> <li>• Use a liquid type rinse aid.</li> </ul>
	The temperature of the water is low when the dishwasher is running.	<ul style="list-style-type: none"> <li>• Make sure that the water supply line is connected to a hot water supply.</li> <li>• Use rinse aid with the <b>Sanitize</b> option.</li> </ul>
	Too many dishes have been loaded.	<ul style="list-style-type: none"> <li>• Proper loading of items can affect drying.</li> <li>• Load your dishes as recommended. (See pages <b>18</b> to <b>19</b>)</li> </ul>
	Glasses and cups with concave bottoms hold water. This water may spill onto other items when unloading.	<ul style="list-style-type: none"> <li>• After the cycle finishes, empty the lower rack first and then the upper rack. This will prevent water from dripping from the upper rack onto the dishes in the lower rack.</li> </ul>
Has a bad odor.	Water was left over from an incomplete cycle.	<ul style="list-style-type: none"> <li>• With the dishwasher empty, add detergent to the dispenser, and then run the <b>Normal</b> cycle to clean the dishwasher.</li> </ul>
	The Drain Hose is obstructed.	<ul style="list-style-type: none"> <li>• Contact a qualified service technician to remove any obstruction from the drain hose.</li> </ul>
	The dishwasher is not used daily or soiled dishes are left in unit too long.	<ul style="list-style-type: none"> <li>• With the dishwasher empty and no detergent in the dispenser, place a glass with 8 ounces of vinegar upright into the lower rack, and then run a <b>Normal</b> cycle.</li> </ul>



Problem	Possible cause	Solution
Is too noisy.	Sound is generated when the dispenser cover is open and the drain pump is operating in an early stage.	<ul style="list-style-type: none"> <li>This is normal operation.</li> </ul>
	The dishwasher is not level.	<ul style="list-style-type: none"> <li>Ensure the dishwasher is level.</li> </ul>
	Foreign material (a screw, a plastic piece) is in the pump chamber.	<ul style="list-style-type: none"> <li>Contact a qualified service technician to remove foreign material from the pump chamber.</li> </ul>
	There is a 'chopping' sound because a nozzle is bumping against the dishes.	<ul style="list-style-type: none"> <li>Rearrange the dishes.</li> </ul>
Does not have a smoothly rotating nozzle.	The nozzle holes are clogged with food particles.	<ul style="list-style-type: none"> <li>Clean the nozzle hole. See page 25.</li> </ul>
	The nozzle is blocked by a dish or pot and cannot rotate.	<ul style="list-style-type: none"> <li>After placing the dishes into the racks, rotate the nozzles by hand to check whether any of the dishes interfere with them.</li> </ul>
Water won't pump out of the dishwasher.	The drain is clogged.	<ul style="list-style-type: none"> <li>Contact a qualified service technician to remove any obstruction from the drain hose and check the drain pump operation.</li> </ul>
Has a bent upper rack after loading dishes.	The dishes are not loaded properly.	<ul style="list-style-type: none"> <li>Load your dishes as recommended. (See pages 18 to 19)</li> </ul>
Cannot close the door.	Auto Release™ Dry mode is in operation.	<ul style="list-style-type: none"> <li>Once the door opens in the Auto Release™ Dry mode, the door cannot be closed manually for the next 2 minutes. You may close the door after 2 minutes.</li> </ul>

# Troubleshooting

## Information codes

The control panel displays information codes to help you understand what is occurring with your dishwasher.

Code	Action
LC	<b>Leakage check</b> <ul style="list-style-type: none"><li>• If a water supply valve connection leak occurs, close the water supply valve and go to your house circuit breaker panel, set the dishwasher's circuit breaker switch to off, and then contact the installer to fix.</li><li>• If the problem continues, contact an authorized Samsung service center.</li></ul>
4C	<b>Water supply check</b> <ul style="list-style-type: none"><li>• Check if the water supply valve is closed, the water supply is suspended, or the water inlet valve or line is frozen or clogged by foreign particles.</li><li>• Make sure the drain pump is working and the water in the set is drained and there are no drainage blockages.</li><li>• If the problem continues, close the water supply valve, and then contact an authorized Samsung service center.</li></ul>
tC	<b>Thermistor check</b> <ul style="list-style-type: none"><li>• Temperature sensor is broken (Short or Open circuit). If the problem continues, contact an authorized Samsung service center.</li></ul>
HC	<b>High temperature heating check</b> <ul style="list-style-type: none"><li>• The product ensures that the temperature for hot water line is not too high and adjusts to the appropriate temperature (120 °F (49 °C) to 149 °F (65 °C)) automatically.</li><li>• If the problem continues, go to your house circuit breaker panel, set the dishwasher's circuit breaker switch to off, and then contact an authorized Samsung service center.</li></ul>
AC	<b>PCB communication check</b> <ul style="list-style-type: none"><li>• Abnormal communication between the main PCB and the sub PCB.</li><li>• If the problem continues, contact an authorized Samsung service center.</li></ul>

For any codes not listed above, call 1-800-SAMSUNG (726-7864).

# Appendix

## Helping the environment

- Your dishwasher is manufactured from recyclable materials. If you decide to dispose of it, please observe local waste disposal regulations. Cut off the power cable so that the appliance cannot be connected to a power source.
- Remove the door so that animals and small children cannot get trapped inside the appliance.
- Do not exceed the detergent quantities recommended in the detergent manufacturers' instructions.

## Specifications

Model	DW50T6060US	
Type	Built-in Dishwasher	
Power	120 V / 60 Hz only	
Rated power usage	Wash motor	26-50 W
	Heater	1000 W
Wash capacity	8 place setting	
Used water pressure	20-120 psi (140-830 kPa)	
Dimensions (Width × Depth × Height)	18 x 22 <sup>7</sup> / <sub>16</sub> x 32 <sup>1</sup> / <sub>16</sub> in. (450 x 570 x 815 mm)	
Weight	Unpacked 72.7 lb (33 kg)	

# Warranty

---

## Warranty (U.S.A)

---

### SAMSUNG DISHWASHER

#### LIMITED WARRANTY TO ORIGINAL PURCHASER WITH PROOF OF PURCHASE

This SAMSUNG brand product, as supplied and distributed by SAMSUNG ELECTRONICS AMERICA, INC. (SAMSUNG) and delivered new, in the original carton to the original consumer purchaser, is warranted by SAMSUNG against manufacturing defects in materials or workmanship for the limited warranty period, starting from the date of original purchase, of:

One (1) Year All Parts and Labor,

Five (5) Years Printed Circuit Board, Racking, and Stainless Door Liner & Tub for leakage.  
(Parts Only)

This limited warranty is valid only on products purchased and used in the United States that have been installed, operated, and maintained according to the instructions attached to or furnished with the product. To receive warranty service, the purchaser must contact SAMSUNG at the address or phone number provided below for problem determination and service procedures. Warranty service can only be performed by a SAMSUNG authorized service center. The original dated bill of sale must be presented upon request as proof of purchase to SAMSUNG or SAMSUNG's authorized service center to receive warranty service.

SAMSUNG will provide in-home service within the contiguous United States during the warranty period at no charge, subject to availability of SAMSUNG authorized servicers within the customer's geographic area. If in-home service is not available, SAMSUNG may elect, at its option, to provide transportation of the product to and from an authorized service center. If the product is located in an area where service by a SAMSUNG authorized servicer is not available, you may be responsible for a trip charge or required to bring the product to a SAMSUNG authorized service center for service.

To receive in-home service, product must be unobstructed and accessible to the service agent.

During the applicable warranty period, a product will be repaired, replaced, or the purchase price refunded, at the sole option of SAMSUNG. SAMSUNG may use new or reconditioned parts in repairing a product, or replace the product with a new or reconditioned product. Replacement parts and products are warranted for the remaining portion of the original product's warranty or ninety (90) days, whichever is longer. All replaced parts and products are the property of SAMSUNG and you must return them to SAMSUNG.

---

This limited warranty covers manufacturing defects in materials or workmanship encountered in normal household, noncommercial use of this product and shall not cover the following: damage that occurs in shipment, delivery, installation, and uses for which this product was not intended; damage caused by unauthorized modification or alteration of the product; product where the original factory serial numbers have been removed, defaced, changed in any way, or cannot be readily determined; cosmetic damage including scratches, dents, chips, and other damage to the product's finishes; damage caused by abuse, misuse, pest infestations, accident, fire, floods, or other acts of nature or God; damage caused by use of equipment, utilities, services, parts, supplies, accessories, applications, installations, repairs, external wiring or connectors not supplied or authorized by SAMSUNG; damage caused by incorrect electrical line current, voltage, fluctuations and surges; damage caused by failure to operate and maintain the product according to instructions; in-home instruction on how to use your product; and service to correct installation not in accordance with electrical or plumbing codes or correction of household electrical or plumbing (i.e., house wiring, fuses, or water inlet hoses).

The cost of repair or replacement under these excluded circumstances shall be the customer's responsibility.

Visits by an authorized servicer to explain product functions, maintenance or installation are not covered by this limited warranty. Please contact SAMSUNG at the number below for assistance with any of these issues.

#### **EXCLUSION OF IMPLIED WARRANTIES**

IMPLIED WARRANTIES, INCLUDING THE IMPLIED WARRANTIES OF MERCHANTABILITY OR FITNESS FOR A PARTICULAR PURPOSE, ARE LIMITED TO ONE YEAR OR THE SHORTEST PERIOD ALLOWED BY LAW. Some states do not allow limitations on how long an implied warranty lasts, so the above limitations or exclusions may not apply to you. This warranty gives you specific rights, and you may also have other rights, which vary from state to state.

# Warranty

---

## LIMITATION OF REMEDIES

YOUR SOLE AND EXCLUSIVE REMEDY IS PRODUCT REPAIR, PRODUCT REPLACEMENT, OR REFUND OF THE PURCHASE PRICE AT SAMSUNG'S OPTION, AS PROVIDED IN THIS LIMITED WARRANTY. SAMSUNG SHALL NOT BE LIABLE FOR SPECIAL, INCIDENTAL OR CONSEQUENTIAL DAMAGES, INCLUDING BUT NOT LIMITED TO TIME WAY FROM WORK, HOTELS AND/OR RESTAURANT MEALS, REMODELING EXPENSES, LOSS OF REVENUE OR PROFITS, FAILURE TO REALIZE SAVINGS OR OTHER BENEFITS REGARDLESS OF THE LEGAL THEORY ON WHICH THE CLAIM IS BASED, AND EVEN IF SAMSUNG HAS BEEN ADVISED OF THE POSSIBILITY OF SUCH DAMAGES. Some states do not allow exclusion or limitation of incidental or consequential damages, so the above limitations or exclusions may not apply to you. This warranty gives you specific rights, and you may also have other rights, which vary from state to state.

SAMSUNG does not warrant uninterrupted or error-free operation of the product. No warranty or guarantee given by any other person, firm, or corporation with respect to this product shall be binding on SAMSUNG.

To obtain warranty service, please contact SAMSUNG at:

In USA

Samsung Electronics America, Inc.

85 Challenger Road

Ridgefield Park, NJ 07660

1-800-SAMSUNG (726-7864)

[www.samsung.com/us/support](http://www.samsung.com/us/support)

---

## Warranty (CANADA)

---

### SAMSUNG DISHWASHER

#### LIMITED WARRANTY TO ORIGINAL PURCHASER

This SAMSUNG brand product, as supplied and distributed by SAMSUNG ELECTRONICS CANADA, INC. (SAMSUNG) and delivered new, in the original carton to the original consumer purchaser, is warranted by SAMSUNG against manufacturing defects in materials and workmanship for a limited warranty period of:

One (1) Year All Parts and Labor,

Five (5) Years Printed Circuit Board, Racking, and Stainless Door Liner & Tub for leakage.  
(Parts Only)

This limited warranty begins on the original date of purchase, and is valid only on products purchased and used in the Canada. To receive warranty service, the purchaser must contact SAMSUNG for problem determination and service procedures. Warranty service can only be performed by a SAMSUNG authorized service center. The original dated bill of sale must be presented upon request as proof of purchase to SAMSUNG or SAMSUNG's authorized service center. SAMSUNG will provide in-home service during the warranty period at no charge, subject to availability within the contiguous Canada.

In home service is not available in all areas.

To receive in-home service, product must be unobstructed and accessible to the service agent. If service is not available, SAMSUNG may elect to provide transportation of the product to and from an authorized service center.

SAMSUNG will repair, replace, or refund this product at our option and at no charge as stipulated herein, with new or reconditioned parts or products if found to be defective during the limited warranty period specified above. All replaced parts and products become the property of SAMSUNG and must be returned to SAMSUNG. Replacement parts and products assume the remaining original warranty, or ninety (90) days, whichever is longer.

This limited warranty covers manufacturing defects in materials and workmanship encountered in normal, noncommercial use of this product and shall not apply to the following: damage that occurs in shipment; delivery and installation; applications and uses for which this product was not intended; altered product or serial numbers; cosmetic damage or exterior finish; accidents, abuse, neglect, fire, water, lightning, or other acts of nature or God; use of products, equipment, systems, utilities, services, parts, supplies, accessories, applications, installations, repairs, external wiring or connectors not supplied or authorized by SAMSUNG that damage this product or result in service problems; incorrect electrical line voltage, fluctuations and surges; customer adjustments and failure to follow operating instructions, maintenance and environmental instructions that are covered and prescribed in the instruction book; product removal and reinstallation; problems caused by pest infestations. This limited warranty does not cover problems resulting from incorrect electric current, voltage or supply, light bulbs, house fuses, house wiring, cost of a service call for instructions, or fixing installation errors. SAMSUNG does not warrant uninterrupted or error-free operation of the product.

# Warranty

---

EXCEPT AS SET FORTH HEREIN, THERE ARE NO WARRANTIES ON THIS PRODUCT EITHER EXPRESS OR IMPLIED, AND SAMSUNG DISCLAIMS ALL WARRANTIES INCLUDING, BUT NOT LIMITED TO, ANY IMPLIED WARRANTIES OF MERCHANTABILITY, INFRINGEMENT OR FITNESS FOR A PARTICULAR PURPOSE. NO WARRANTY OR GUARANTEE GIVEN BY ANY PERSON, FIRM, OR CORPORATION WITH RESPECT TO THIS PRODUCT SHALL BE BINDING ON SAMSUNG. SAMSUNG SHALL NOT BE LIABLE FOR LOSS OF REVENUE OR PROFITS, FAILURE TO REALIZE SAVINGS OR OTHER BENEFITS, OR ANY OTHER SPECIAL, INCIDENTAL OR CONSEQUENTIAL DAMAGES CAUSED BY THE USE, MISUSE, OR INABILITY TO USE THIS PRODUCT, REGARDLESS OF THE LEGAL THEORY ON WHICH THE CLAIM IS BASED, AND EVEN IF SAMSUNG HAS BEEN ADVISED OF THE POSSIBILITY OF SUCH DAMAGES.

NOR SHALL RECOVERY OF ANY KIND AGAINST SAMSUNG BE GREATER IN AMOUNT THAN THE PURCHASE PRICE OF THE PRODUCT SOLD BY SAMSUNG AND CAUSING THE ALLEGED DAMAGE.

WITHOUT LIMITING THE FOREGOING, PURCHASER ASSUMES ALL RISK AND LIABILITY FOR LOSS, DAMAGE, OR INJURY TO PURCHASER AND PURCHASER'S PROPERTY AND TO OTHERS AND THEIR PROPERTY ARISING OUT OF THE USE, MISUSE, OR INABILITY TO USE THIS PRODUCT. THIS LIMITED WARRANTY SHALL NOT EXTEND TO ANYONE OTHER THAN THE ORIGINAL PURCHASER OF THIS PRODUCT, IS NONTRANSFERABLE AND STATES YOUR EXCLUSIVE REMEDY.



---

Some states or provinces do not allow limitations on how long an implied warranty lasts, or the exclusion or limitation of incidental or consequential damages, so the above limitations or exclusions may not apply to you. This warranty gives you specific rights, and you may also have other rights, which vary from state to state or province to province.

To obtain warranty service, please contact SAMSUNG at:

In CANADA

Samsung Electronics Canada Inc.

2050 Derry Road West

Mississauga, Ontario L5N 0B9 Canada

1-800-SAMSUNG (726-7864)

[www.samsung.com/ca/support](http://www.samsung.com/ca/support) (English)

[www.samsung.com/ca\\_fr/support](http://www.samsung.com/ca_fr/support) (French)

# Memo

---

# Memo

---



Scan the QR code\* or visit [www.samsung.com/spsn](http://www.samsung.com/spsn) to view our helpful How-to Videos and Live Shows

\*Requires reader to be installed on your smartphone

[bit.ly/samsungdishwashers](http://bit.ly/samsungdishwashers)

### QUESTIONS OR COMMENTS?

COUNTRY	CALL	OR VISIT US ONLINE AT
U.S.A - Consumer Electronics - Mobile Phones	1-800-SAMSUNG (726-7864) 1-844-SAM-PAYS (726-7297)	<a href="http://www.samsung.com/us/support">www.samsung.com/us/support</a>
CANADA	1-800-SAMSUNG(726-7864) 1-844-SAM-PAYS (726-7297)	<a href="http://www.samsung.com/ca/support">www.samsung.com/ca/support</a> (English) <a href="http://www.samsung.com/ca_fr/support">www.samsung.com/ca_fr/support</a> (French)



DD81-03054A-00

# Lavavajillas

---

## Manual del usuario

Serie DW50T6060

---



**SAMSUNG**

# Contenidos

---

<b>Información sobre seguridad</b>	<b>4</b>
Lo que necesita saber sobre las instrucciones de seguridad	4
Símbolos de seguridad importantes	4
Antes de usar la lavavajillas	7
<b>Configuración de su lavavajillas</b>	<b>8</b>
Desempaque de la lavavajillas	8
Verificación de las piezas	9
Cumplimiento de los requisitos de instalación	10
Panel de control	12
Descripción general de los ciclos	14
<b>Uso de la lavavajillas</b>	<b>15</b>
Pautas básicas	15
Controles táctiles	16
Inicio retardado	16
Ajuste de la altura del estante superior	17
Cómo retirar el estante superior	18
Carga del estante inferior	18
Carga del estante superior	19
Uso del estante para cubiertos	20
Uso del detergente	21
Uso del producto de enjuague	23
Modo de configuración	24
<b>Limpieza y cuidado</b>	<b>25</b>
Limpieza	25
Limpieza de la puerta	27
Cuidado de la lavavajillas	27
Cuidado a largo plazo	27
Protección anticongelamiento	28
Cómo mantener la lavavajillas	28

---

<b>Ciclos</b>	<b>29</b>
Tabla de ciclos	29
<b>Solución de problemas</b>	<b>30</b>
Controle estos puntos si su lavavajillas...	30
Códigos de información	34
<b>Apéndice</b>	<b>35</b>
Ayuda al medio ambiente	35
Especificaciones	35
<b>Garantía</b>	<b>36</b>
Garantía (EE. UU.)	36
Garantía (CANADÁ)	39

# Información sobre seguridad

Felicitaciones por la compra de su nueva lavavajillas Samsung. Este manual contiene información importante acerca de la instalación, el uso y el cuidado del electrodoméstico. Lea detenidamente estas instrucciones a fin de aprovechar al máximo los múltiples beneficios y funciones de la lavavajillas.

## Lo que necesita saber sobre las instrucciones de seguridad

Las advertencias y las instrucciones de seguridad importantes de este manual no cubren todas las posibles condiciones y situaciones que pueden ocurrir. Es su responsabilidad actuar con sentido común, precaución y cuidado cuando instale, realice el mantenimiento y ponga en funcionamiento la lavavajillas.

## Símbolos de seguridad importantes

Significado de los íconos y señales de este manual del usuario:

### **ADVERTENCIA**

Peligros o prácticas inseguras que pueden causar **lesiones físicas graves o la muerte.**

Para reducir el riesgo de incendios, explosiones, descargas eléctricas o lesiones físicas al usar la lavavajillas, siga estas instrucciones básicas de seguridad:

### **PRECAUCIÓN**

Peligros o prácticas inseguras que pueden causar **lesiones físicas leves o daños a la propiedad.**

### **NOTA**

Estas señales de advertencia sirven para evitar que usted y otras personas sufran lesiones. Sígalas explícitamente.

Después de leer esta sección, guárdela en un lugar seguro para consultas futuras.

# CONSERVE ESTAS INSTRUCCIONES





## Advertencia sobre la California Proposition 65

 **ADVERTENCIA:** Cáncer y Daño Reproductivo -  
[www.P65Warnings.ca.gov](http://www.P65Warnings.ca.gov)

### ADVERTENCIA

Cuando utilice la lavavajillas, tome todas las precauciones básicas, incluyendo las siguientes:

1. Lea todas las instrucciones antes de usar la lavavajillas.
2. Utilice la lavavajillas únicamente para la función para la cual está diseñada.
3. Utilice únicamente detergentes o productos humectantes recomendados para utilizarse en lavavajillas y manténgalos fuera del alcance de los niños.
4. Cuando cargue los artículos que se lavarán:
  - coloque los artículos cortantes de manera que no dañen las juntas de la puerta y
  - cargue los cuchillos filosos con el mango hacia arriba para reducir el riesgo de sufrir lesiones por cortes.
5. No lave objetos de plástico a menos que tengan el rótulo "apto para lavavajillas" o su equivalente. En el caso de los artículos de plástico que no tengan tal rótulo, consulte las recomendaciones del fabricante.
6. No toque el ELEMENTO CALENTADOR durante el uso o inmediatamente luego de él.
7. No ponga en funcionamiento la lavavajillas a menos que todos los paneles de CIERRE estén correctamente colocados.
8. No modifique los controles.
9. Trate con cuidado la puerta y el estante de la lavavajillas, y no se sienta ni se pare encima.
10. Para reducir el riesgo de lesiones, evite que los niños jueguen dentro o fuera de la lavavajillas.
11. En ciertas circunstancias, se puede producir gas hidrógeno en un sistema de agua caliente que no se ha usado durante dos semanas o más. EL GAS HIDRÓGENO ES EXPLOSIVO. Si el sistema de agua caliente no se ha usado durante dicho periodo, abra todas las llaves de agua caliente y deje que el agua fluya durante varios minutos antes de usar la lavavajillas. Esto disipará el gas hidrógeno acumulado. Dado que el gas es inflamable, no fume ni utilice una llama abierta en ese momento.
12. Cuando deje de utilizar o descarte una lavavajillas antigua, retire la puerta del compartimiento de lavado.

## CONSERVE ESTAS INSTRUCCIONES





# Información sobre seguridad

## PRECAUCIÓN

- Después de desempacar la lavavajillas, mantenga el empaque fuera del alcance de los niños.
- La máquina lavavajillas es muy pesada. No intente mover o trasladarla usted mismo. Se necesitan dos o más personas para mover una lavavajillas y evitar lesiones potenciales.
- Al igual que con cualquier equipo que use electricidad, agua y piezas movibles, existen riesgos potenciales.
- No instale la lavavajillas cerca de componentes eléctricos. Mantenga la lavavajillas alejada de llamas abiertas.
- Instale y nivele la lavavajillas sobre una superficie no alfombrada que pueda soportar su peso.
- La lavavajillas debe conectarse a tierra correctamente. Nunca la conecte a un tomacorriente sin conexión a tierra.  
Consulte la página 7 para obtener más información sobre cómo conectar la lavavajillas a tierra.
- Conecte el cable a tierra a la conexión a tierra de color verde de la caja de terminales.
- Después de instalar la lavavajillas, asegúrese que la manguera de desagüe esté correctamente conectada y que las conexiones de la manguera no tengan pérdidas. Si la manguera de desagüe está floja, puede ocasionar pérdidas materiales.
- El conducto puede romperse. A medida que transcurre el tiempo, pierde su flexibilidad. Revise el conducto periódicamente. Si está hinchado, rasgado, cortado o si hay pérdida de agua, reemplácelo inmediatamente.
- Para usar este electrodoméstico en forma segura, familiarícese con su funcionamiento y manéjelo con cuidado cuando lo use.
- No vierta gasolina, solventes ni otros materiales inflamables dentro de la lavavajillas. No lave vajilla que haya sido expuesta a estos materiales.
- Mantenga el detergente de la lavavajillas fuera del alcance de los niños. El detergente causa un efecto adverso en los órganos del cuerpo humano. Contiene sustancias para otorgar brillo y es corrosivo. Evite que el detergente entre en contacto con la piel o los ojos.
- No empuje ni presione la puerta cuando esté abierta, ya que al hacerlo podría dañar la lavavajillas o hacerse daño.
- No permita que los niños jueguen dentro o encima de la máquina lavavajillas. Pueden hacerse daño o dañar la lavavajillas.
- Desconecte el cable de alimentación (o corte el disyuntor) antes de realizar el mantenimiento de la lavavajillas.
- No repare, reemplace ni realice el mantenimiento de ninguna de las piezas de su lavavajillas por su cuenta. Solamente técnicos calificados autorizados pueden desarmar, reparar o modificar la lavavajillas. El trabajo efectuado por una persona no autorizada puede invalidar su garantía.
- Antes de deshacerse de su lavavajillas, retire la puerta del compartimiento de lavado o la traba de la puerta para evitar que niños o animales pequeños puedan quedar atrapados adentro.
- Si no va a utilizarse la lavavajillas durante un período prolongado, corte el suministro de agua.
- Esta lavavajillas ha sido diseñada para uso residencial únicamente.

## CONSERVE ESTAS INSTRUCCIONES



---

## Antes de usar la lavavajillas

---

### ADVERTENCIA



#### Riesgo de vuelco

- No utilice la lavavajillas hasta que no esté correctamente instalada.
- No ejerza presión sobre la puerta de la lavavajillas cuando está abierta.
- No coloque excesivo peso sobre la puerta de la lavavajillas cuando está abierta.



#### Riesgo de descarga eléctrica

El incumplimiento con estas instrucciones puede tener como resultado la muerte, incendios o descargas eléctricas:

- Conecte a tierra la lavavajillas.
- Conecte el cable a tierra a la conexión a tierra de color verde de la caja de conexiones.
- No utilice un cable prolongador.

# CONSERVE ESTAS INSTRUCCIONES

# Configuración de su lavavajillas

---

Asegúrese de que su instalador siga estas instrucciones minuciosamente para que su nueva lavavajillas funcione adecuadamente y no existan riesgos de sufrir lesiones al lavar los platos.

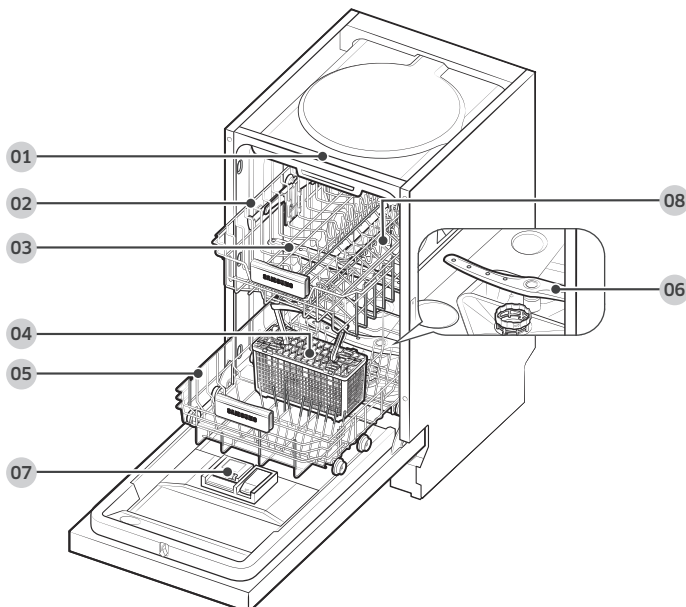
## Desempaque de la lavavajillas

---

- Cuando haya recibido la lavavajillas, desembálela con cuidado y compruebe que no esté dañada. Si la lavavajillas está dañada, tome nota de ello en la carta de porte y guarde una copia. No instale la lavavajillas y comuníquese con el Servicio al cliente de Samsung a 1-800-SAMSUNG (726-7864).
- Si el producto no está dañado, comience con la instalación. Si va a instalarlo por su cuenta, asegúrese de leer la guía de instalación y de seguir sus instrucciones.
- Después de desempacar la lavavajillas, mantenga el empaque fuera del alcance de los niños para garantizar su seguridad.

## Verificación de las piezas

Una vez desempacada la lavavajillas, asegúrese de haber recibido todas las piezas que aparecen a continuación. Si su lavavajillas sufrió daños durante el transporte, o si falta alguna pieza, comuníquese con el Servicio al cliente de Samsung al 1-800-SAMSUNG (726-7864).



01 Traba

03 Boquilla superior

05 Canasta inferior

07 Dosificador de agente de enjuague

02 Canasta superior

04 Canasta para cubiertos

06 Brazo rociador inferior

08 Estante para tazas

### NOTA

- Accesorios: Manual del usuario/instalación, kit de instalación.
- El aspecto real de las piezas puede ser distinto al de las imágenes según el modelo.



# Configuración de su lavavajillas

## Cumplimiento de los requisitos de instalación

### Suministro eléctrico y conexión a tierra

#### **ADVERTENCIA**

Para evitar el riesgo de incendio, descarga eléctrica o lesiones físicas, todo el cableado y la conexión a tierra deben realizarse de conformidad con la versión más reciente del Código Eléctrico Nacional, ANSI/FNPA, Nro. 70, y los códigos y ordenanzas locales. Es exclusiva responsabilidad del propietario del electrodoméstico proveer los servicios eléctricos adecuados para este electrodoméstico.

#### **PRECAUCIÓN**

- Nunca utilice un cable prolongador.
- Cuando prepare la instalación, asegúrese de proveer:
  - Un circuito derivado individual con un fusible o disyuntor de 120 V, 60 Hz, 15 A destinado únicamente a la lavavajillas.
- La lavavajillas debe estar conectada a tierra. En caso de que la lavavajillas funcione mal o se descomponga, la conexión a tierra reducirá el riesgo de descarga eléctrica al ofrecer una vía de menor resistencia para la corriente eléctrica.

#### **ADVERTENCIA**

Nunca conecte un cable a tierra a las tuberías de plástico, las tuberías de gas o las cañerías de agua caliente.





## Suministro de agua

La presión del conducto de agua caliente debe estar entre 20 y 120 psi (140 y 830 kPa). Ajuste el calentador de agua para obtener una temperatura de agua entre 120 °F (49 °C) y 149 °F (65 °C).

### **NOTA**

- La mayoría de las tiendas de suministros de plomería venden conductos de diversas longitudes, de hasta 10 pies (305 cm) de largo.
- Para reducir el riesgo de pérdidas y daños ocasionados por el agua puede hacer lo siguiente:
  - Coloque las llaves de agua en un lugar de fácil acceso.
  - Cierre las llaves cuando no use la lavavajillas.
  - Verifique periódicamente que no haya pérdidas de agua en los accesorios del conducto.

### **ADVERTENCIA**

Antes de utilizar el lavavajillas por primera vez verifique que no haya pérdidas en ninguna de las conexiones de la válvula de suministro de agua ni en las llaves.

### **Piso**

Por razones de seguridad, su lavavajillas debe estar instalada sobre un piso de construcción sólida.

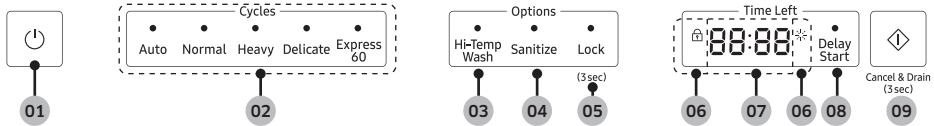
Nunca instale la lavavajillas sobre una plataforma o sobre una estructura con soportes poco resistentes.

La lavavajillas debe instalarse adecuadamente, conforme a la Guía de instalación, antes de utilizarla. Si no recibió una Guía de instalación junto con la lavavajillas, puede obtener una en nuestro sitio Web [www.samsung.com](http://www.samsung.com).



# Configuración de su lavavajillas

## Panel de control



Configuración de su lavavajillas

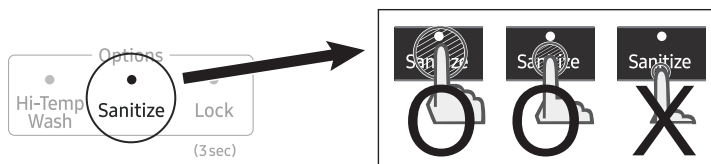
01 ENCENDIDO	Cuando se presiona el botón <b>ENCENDIDO</b> , se enciende y apaga toda la pantalla. Una vez completado el ciclo seleccionado, la lavavajillas se apaga automáticamente.
02 Cycles (Ciclos)	Seleccione el ciclo de lavado adecuado según el nivel de suciedad de la vajilla.
03 Hi-Temp Wash (Lavado a alta temperatura)	Eleva la temperatura del lavado principal para mejorar la limpieza de cargas muy sucias o que contienen restos de alimentos adheridos. <b>NOTA</b> Hi-Temp Wash (Lavado a alta temperatura) no está disponible para los ciclos Delicate (Vajilla delicada) y Express 60 (Rápido 60).
04 Sanitize (Desinfección)	La temperatura se eleva a 156 °F (69 °C) en el ciclo de enjuague final para la desinfección a alta temperatura. Si selecciona la opción Sanitize (Desinfección), el indicador "Sanitize (Desinfección)" parpadea cuando la temperatura del agua alcanza la temperatura de desinfección, más de 156 °F (69 °C), y permanece encendido hasta el final de la opción Sanitize (Desinfección). Cuando presiona el botón <b>ENCENDIDO</b> , el indicador "Sanitize (Desinfección)" se apaga. <b>NOTA</b> <ul style="list-style-type: none"> <li>El ciclo Normal con la opción Sanitize (Desinfección) seleccionada está certificado por NSF.</li> <li>La función Sanitize (Desinfección) cumple con la Norma 184 NSF/ANSI para Lavavajillas Residenciales. Las lavavajillas residenciales certificadas no han sido diseñadas para los establecimientos alimentarios autorizados.</li> </ul>
05 Control Lock (3 sec) (Bloqueo de controles) (3 s)	Control Lock (Bloqueo de controles) le permite bloquear los botones del panel de control para que los niños no puedan encender la lavavajillas en forma accidental. Para activar Control Lock (Bloqueo de controles), mantenga presionado el botón <b>Control Lock (Bloqueo de controles)</b> durante tres (3) segundos. Para desactivar Control Lock (Bloqueo de controles), mantenga presionado el botón <b>Control Lock (Bloqueo de controles)</b> durante tres (3) segundos nuevamente.



<p><b>06</b> Indicador</p>	<p>☀ <b>Reponer producto de enjuague</b></p> <ul style="list-style-type: none"> <li>Si el indicador de "Reponer producto de enjuague" está encendido, significa que en la lavavajillas queda poco producto de enjuague y se requiere una recarga.</li> </ul> <p>🕒 <b>Delay Start (Inicio retardado)</b></p> <ul style="list-style-type: none"> <li>Si el indicador de "Delay Start (Inicio retardado)" está encendido, significa que ha seleccionado la opción "Delay Start (Inicio retardado)".</li> </ul>
<p><b>07</b> Pantalla digital</p>	<p>Muestra el tiempo de funcionamiento, las horas de Delay Start (Inicio retardado) y los códigos de información. Si se produce un problema durante el funcionamiento, se enciende un mensaje de control con un sonido de advertencia.</p>
<p><b>08</b> Delay Start (Inicio retardado)</p>	<p>Retarde un ciclo hasta 24 horas, en incrementos de una hora. La hora en pantalla indica el tiempo en el cual comenzará el lavado.</p>
<p><b>09</b> INICIO</p>	<p>Para iniciar un ciclo, presione el botón <b>INICIO</b> antes de cerrar la puerta.          * Reset (Restablecer) Para cancelar un ciclo que esté ejecutándose y desaguar la lavavajillas, mantenga presionado el botón <b>INICIO</b> durante tres (3) segundos. Una vez restablecida la lavavajillas, seleccione un ciclo y una opción y luego presione <b>INICIO</b> para reiniciar la lavavajillas.</p>

**NOTA**

- Puede seleccionar las opciones (**Hi-Temp Wash (Lavado a alta temperatura)**, **Sanitize (Desinfección)**) antes de iniciar un ciclo. Si cambia el ciclo después de seleccionar una opción, se regresa al ciclo original.
- Cuando pause un ciclo abriendo la puerta durante el funcionamiento, presione el botón **INICIO** antes de cerrar la puerta para reanudar el ciclo.
  - Empuje la puerta hasta cerrarla firmemente durante los 3 segundos siguientes a presionar el botón **INICIO**.
  - Si la puerta no se cierra antes de 3 segundos, el ciclo no se inicia.
- Para impedir que el teclado táctil pierda sensibilidad de respuesta, siga estas instrucciones:
  - Toque el centro de cada tecla con un dedo. No ejerza presión.
  - Limpie de forma regular la superficie del control táctil con un paño suave y húmedo.
  - Tenga cuidado de no tocar más de un botón al mismo tiempo, excepto cuando así se le indique.

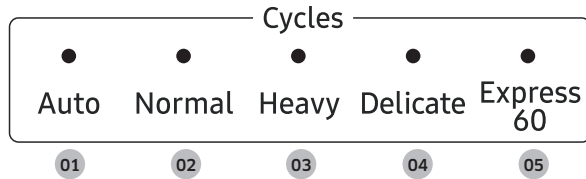


**IMPORTANTE**

Para obtener el mejor rendimiento de la lavavajillas, lea todas las instrucciones de funcionamiento antes de usarla por primera vez.

# Configuración de su lavavajillas

## Descripción general de los ciclos



01 Auto (Automático)	Este ciclo detecta el nivel de suciedad e inicia automáticamente el ciclo óptimo, lo cual resulta apropiado para todos los niveles de suciedad de los artículos.
02 Normal	Para cargas con un nivel de suciedad normal, como ollas, platos, copas y sartenes poco sucias. Ciclo diario estándar.
03 Heavy (Muy sucio)	Seleccione este ciclo para artículos muy sucios.
04 Delicate (Vajilla delicada)	Seleccione este ciclo para artículos frágiles poco sucios, como copas. La opción Sanitize (Desinfección) no está disponible para este ciclo.
05 Express 60 (Rápido 60)	Artículos de uso diario con suciedad normal; ciclo corto. La opción Sanitize (Desinfección) no está disponible para este ciclo.

# Uso de la lavavajillas

## Pautas básicas

1. Abra la puerta y cargue la vajilla (consulte las páginas **18 a 19**).
  - Coloque la vajilla en los estantes superior e inferior.
  - Retire los restos de comida de la vajilla antes de colocarla en los estantes.
  - Después de cargar la vajilla en los estantes, rote las boquillas a mano para verificar si alguno de los platos interferirá con ellas.
  - Asegúrese de que los platos no impidan que se abra la apertura del dosificador del detergente.
2. Agregue detergente al dosificador (consulte la página **21**).
  - Asegúrese de utilizar únicamente detergente y producto de enjuague para lavavajillas automática.
  - Consulte "Uso del detergente" en la página **21** para obtener instrucciones sobre cómo agregar el detergente y el agente de enjuague.
3. Presione el botón **ENCENDIDO**.
  - Cuando presiona el botón **ENCENDIDO**, se enciende toda la pantalla, y se enciende el indicador del último ciclo finalizado.
  - Si se enciende "Reponer producto de enjuague" (☼), debe reponer el agente de enjuague en el dosificador para mejorar el desempeño del lavado y del secado.
4. Seleccione el ciclo de limpieza adecuado según el nivel de suciedad de la vajilla. (Consulte las páginas **14 y 29**).
  - Presione el botón de **Cycles (Ciclos)** adecuado.
  - Cuando presiona un botón de **Cycles (Ciclos)**, se enciende el indicador correspondiente.
5. Presione el botón **INICIO** y cierre la puerta antes de 3 segundos.
  - La lavavajillas comenzará a drenar después de algunos segundos y luego se iniciará el ciclo seleccionado.
  - Asegúrese de cerrar la puerta firmemente. Si la puerta no está cerrada correctamente, el ciclo seleccionado no comenzará automáticamente.
6. Cuando se completa el ciclo de lavado.
  - Se enciende el indicador y la lavavajillas emite una señal sonora.
  - La lavavajillas se apaga automáticamente.

### ⚠ PRECAUCIÓN

- Si desea cargar más vajilla o pausar la lavavajillas mientras está en funcionamiento, asegúrese de abrir la puerta lenta y cuidadosamente, ya que existe la posibilidad de sufrir lesiones a causa del vapor caliente contenido en el interior.
- Si se abre la puerta mientras funciona la lavavajillas, se activa un mecanismo de seguridad y se detiene el ciclo.
- Para reanudar el funcionamiento, presione el botón de **INICIO** y cierre la puerta antes de 3 segundos.
- Agregar vajilla algunos minutos después de que la lavavajillas comience a funcionar puede afectar al desempeño.
- Si se abre la puerta mientras la lavavajillas funciona a alta temperatura, se desaguará automáticamente el agua caliente para protegerle contra las quemaduras.



# Uso de la lavavajillas

## NOTA

- Para lograr un mejor desempeño en el secado debería utilizar productos para el enjuague. Puede lograr un mejor desempeño del secado seleccionando la opción **Sanitize (Desinfección)**.
- Abra la puerta de la lavavajillas, déjela abierta y espere unos minutos antes de retirar los platos. Los platos estarán más fríos y el secado mejorará.

## Controles táctiles

Los controles táctiles le permiten operar fácilmente la lavavajillas.

- Se activan fácilmente con un toque suave.
- Tienen un diseño sencillo y elegante.
- También son fáciles de limpiar.

## NOTA

Si tiene niños o desea limpiar la Interfaz de control, recomendamos activar la función **Control Lock (Bloqueo de controles)** para bloquear los botones de control. Consulte la página 12.

- Cuando esta opción esté seleccionada, los niños no podrán encender la lavavajillas en forma accidental al tocar los controles.
- Si un ciclo se está ejecutando, los botones no responderán. (excepto el botón **ENCENDIDO**).
- Si la lavavajillas está apagada, únicamente responderá el botón **ENCENDIDO**.

## Inicio retardado

Al seleccionar la opción **Delay Start (Inicio retardado)**, la lavavajillas inicia el ciclo seleccionado luego de que se cumpla el tiempo establecido.

## ADVERTENCIA

- Cuando use la lavavajillas, trate de acomodar los platos de manera adecuada, como se describe en las páginas 18 a 20.
  - Debe retirar de la vajilla todos los restos de comida, como huesos, semillas, etc., y cualquier otro tipo de desecho como los palillos, papel u otros, ya que es posible que dañen la vajilla, generen ruidos u ocasionen incluso mal funcionamiento.
  - Presione el botón de ciclo adecuado según el nivel de suciedad y el tipo de vajilla.
  - Utilice únicamente la cantidad adecuada de detergente y de producto para el enjuague.
- **No deben lavarse los siguientes elementos:**
  - **Artículos de acrílico o aluminio:** Los platos con un borde dorado impreso pueden decolorarse.
  - **Platos tratados con adhesivos:** Es posible que los plásticos, la madera, el marfil, el cobre y la hojalata que hayan sido tratados se aflojen.
  - **Plásticos con una tolerancia a la temperatura inferior a 194 °F (90 °C):** Los plásticos delgados no se lavan ni secan bien y es posible que se dañen debido a las altas temperaturas de lavado.
  - **Hojalata:** La hojalata debe lavarse a mano y secarse inmediatamente, ya que puede oxidarse.
  - **Utensilios de madera:** Los objetos de madera pueden agrietarse.

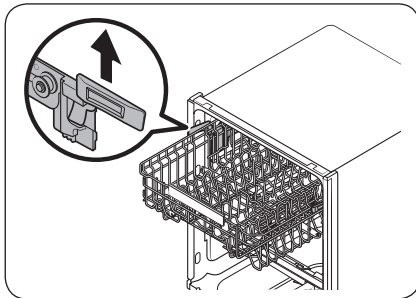


## Ajuste de la altura del estante superior

Puede ajustar la altura del estante superior para dar cabida en el estante inferior a platos de mayor tamaño. Según la altura del estante superior, en el estante inferior se pueden colocar platos de hasta 29 cm de diámetro y en el estante superior platos de hasta 18 cm de diámetro.

### ⚠ PRECAUCIÓN

- Ajuste la altura del estante superior antes de cargar la vajilla. Si ajusta el estante luego de cargar la vajilla, esta puede resultar dañada.
- Asegúrese de sujetar ambas manijas al realizar el ajuste; de lo contrario, es posible que la puerta no cierre adecuadamente.



- Para subir el estante superior, empújelo hacia arriba. La manija ajustable se trabará y el estante superior se elevará.
- Para bajar el estante superior, sujete ambas manijas ajustables, ubicadas a la izquierda y la derecha del estante superior y, luego, presione uniformemente hacia abajo.

# Uso de la lavavajillas

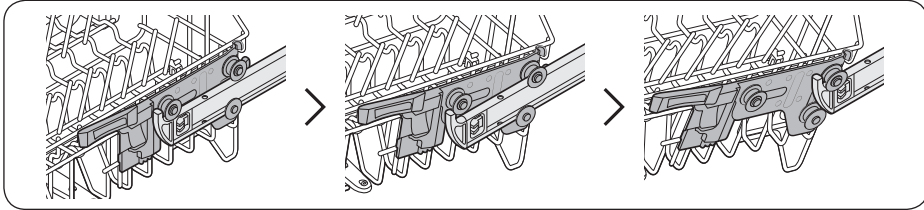
## Cómo retirar el estante superior

Para retirar el estante superior, jale el estante superior hacia adelante hasta que quede completamente extendido y, luego, levántelo levemente para retirarlo.

Vea las siguientes figuras.

### ⚠ PRECAUCIÓN

Si bien puede retirarse el estante superior, debe estar instalado para que la lavavajillas funcione correctamente. Si trata de operar la lavavajillas sin el estante, se escuchará ruido y el desempeño de la lavavajillas será deficiente.

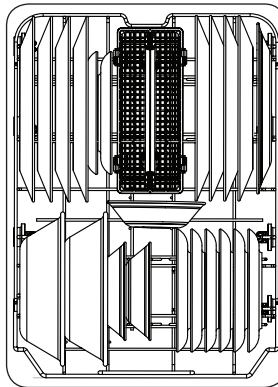


## Carga del estante inferior

El estante inferior se ha diseñado específicamente para vajilla, tazones para sopa, platos, ollas, tapas y fuentes de horno.

Cargue los objetos grandes como recipientes y ollas en la lavavajillas de manera que sus lados abiertos miren hacia abajo. Recomendamos cargar las tazas, la cristalería y los platos pequeños en el estante superior.

Observe los patrones recomendados de carga que se encuentran a continuación.



8 puestos

---

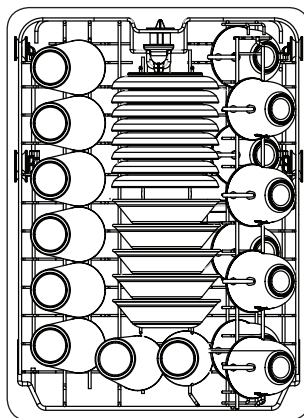
## Carga del estante superior

---

Se ha diseñado el estante superior para platos pequeños, jarras, vasos y objetos de plástico que tengan el rótulo "apto para lavavajillas". Cargue los platos en la lavavajillas en dos medias hileras, de manera que la cara de cada plato mire la parte trasera del otro que tiene enfrente, y que las caras de los platos en el centro de la lavavajillas se enfrenten unas a otras. Véanse las ilustraciones inferiores.

Asegúrese de que la vajilla cargada no interfiera con la rotación de la boquilla que se encuentra en la parte inferior del estante superior. (Para verificarlo, haga rotar la boquilla a mano.)

Para cargar la vajilla, tire del estante superior dejando el espacio suficiente para que pueda cargarlo sin golpear la encimera superior.



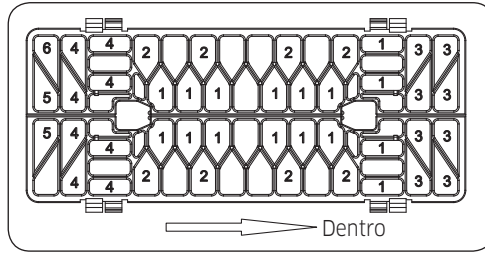
8 puestos

# Uso de la lavavajillas

## Uso del estante para cubiertos

Puede colocar independientemente cada cuchillo, cuchara o tenedor en el soporte para cucharas en la cubierta de la canasta para evitar roturas o decoloración.

El estante para cubiertos puede utilizarse con la cubierta abierta.

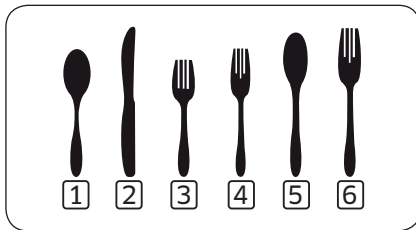


8 puestos

Soporte para cucharas visto desde arriba con las ubicaciones sugeridas para los cubiertos. Haga coincidir los números del diagrama con los números de la lista inferior de los cubiertos.

### NOTA

NO permita que ningún objeto llegue hasta la parte inferior.



1. Cucharas
2. Cuchillos
3. Tenedores para ensaladas
4. Tenedores
5. Cucharas grandes
6. Tenedores grandes





## Uso del detergente

Todos los ciclos de la lavavajillas requieren detergente en el compartimiento correspondiente. Agregue la cantidad adecuada de detergente para el ciclo seleccionado para asegurar el mejor desempeño.

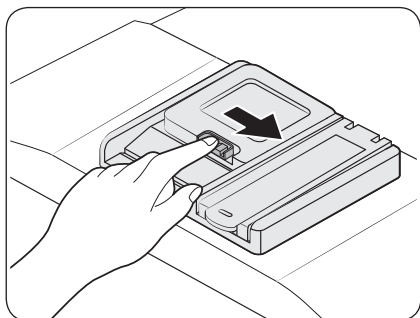
### ⚠ PRECAUCIÓN

Use solamente detergente para lavavajillas. Los detergentes normales producen demasiada espuma, lo que puede reducir el desempeño de la lavavajillas o causar su malfuncionamiento.

### ⚠ ADVERTENCIA

- No ingiera detergente para lavavajillas. Evite inhalar las emanaciones. Los detergentes para lavavajillas contienen productos químicos irritantes y cáusticos que pueden provocar trastornos respiratorios. Si ingirió detergente para lavavajillas o inhaló sus emanaciones, procúrese atención médica inmediatamente.
- Mantenga el detergente para lavavajillas fuera del alcance de los niños.

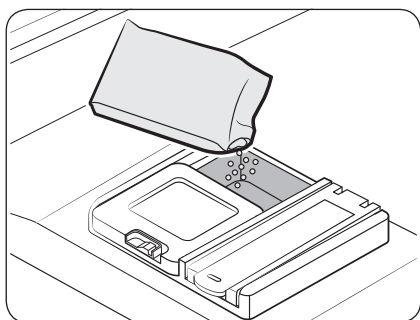
### Llenado del dosificador de detergente



1. Abra la tapa del dosificador de detergente empujando su pestillo de liberación.

### 📄 NOTA

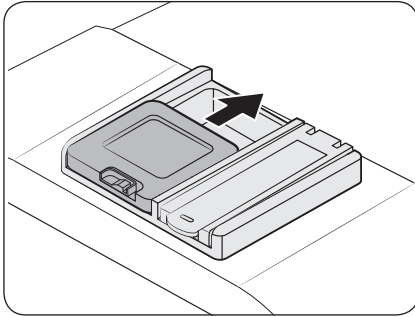
La tapa siempre está abierta al final del ciclo de lavado.



2. Agregue la cantidad recomendada de detergente en el compartimiento del detergente de lavado principal.



# Uso de la lavavajillas



3. Cierre la tapa deslizándola y presionándola.

**NOTA**

- No existe un botón aparte que configure el dosificador para tabletas de detergente.
- Para obtener los mejores resultados, en especial con los artículos muy sucios, coloque una pequeña cantidad (alrededor de 0.3 oz u 8 gramos) de detergente en la puerta. Esto se activará durante la fase de prelavado.

La cubierta se abre automáticamente para dosificar el detergente durante el lavado.

Ciclo	Cantidad de detergente	
	Dosificador para el lavado principal	En la puerta para el prelavado
Auto (Automático), Normal	3/4 oz (20 g)	1/3 oz (10 g)
Heavy (Muy sucio), Express 60 (Rápido 60)	1 oz (30 g)	1/2 oz (15 g)

**NOTA**

Los números que se encuentran dentro del dosificador aluden a gramos.

## Uso del producto de enjuague

### Llenado del depósito de producto de enjuague

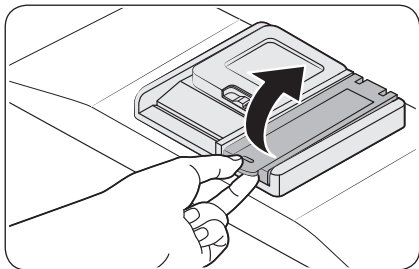
Cuando se enciende el indicador Reponer producto de enjuague del panel de control, reponga el producto de enjuague.

La lavavajillas se ha diseñado para usar solo producto de enjuague líquido.

El uso de un producto en polvo puede obstruir la apertura del depósito y hacer que la lavavajillas no funcione correctamente. El producto de enjuague mejora el desempeño del secado de la lavavajillas.

#### **PRECAUCIÓN**

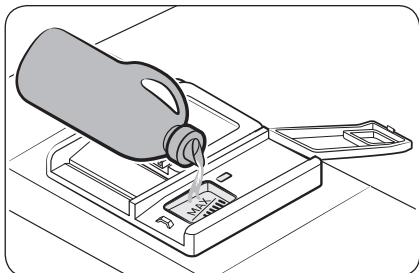
No agregue un detergente normal en el depósito del producto de enjuague.



1. Retire la tapa del depósito del producto de enjuague levantando la manija.

#### **NOTA**

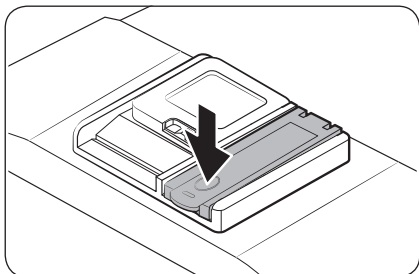
Agregar producto de enjuague cuando use tabletas de detergente mejorará el secado.



2. Llene el depósito de producto para el enjuague.

#### **PRECAUCIÓN**

No llene el depósito por sobre el nivel máximo. El exceso de producto de enjuague se puede derramar durante el ciclo de lavado.



3. Cierre la tapa.



# Uso de la lavavajillas

## Modo de configuración

Puede cambiar el sonido, la función de apertura automática de la puerta y los ajustes del nivel del agente de enjuague según sus preferencias.

### Ingresar al modo de configuración

1. Encienda la lavavajillas.
2. Mantenga presionado el botón del ciclo **Auto (Automático)** durante cinco segundos dentro de los 60 segundos de haber encendido la lavavajillas.
  - Al ingresar al modo de configuración, la pantalla mostrará "0:00".

### Configuración del sonido

Puede activar o desactivar el sonido.

1. Presione el botón **Hi Temp (Alta temperatura)** para seleccionar el menú de configuración del sonido.
  - La pantalla muestra la configuración actual. (Ajuste predeterminado: "U1")
2. Presione el botón del ciclo **Auto (Automático)** para cambiar la configuración.
  - U0: Sonido desactivado
  - U1: Sonido activado
3. Espere 5 segundos para guardar la configuración.

### Configuración de la función de apertura automática de la puerta

Puede configurar la lavavajillas para que abra la puerta automáticamente luego de cada lavado para lograr mejores resultados de secado.

1. Presione el botón **Sanitize (Desinfección)** para seleccionar el menú de configuración de la función de apertura automática de la puerta.
  - La pantalla muestra la configuración actual. (Ajuste predeterminado: "A1")
2. Presione el botón del ciclo **Auto (Automático)** para cambiar la configuración.
  - A0: Función desactivada
  - A1: Función activada
3. Espere 5 segundos para guardar la configuración.

### Configuración del nivel del agente de enjuague

Puede cambiar la cantidad de agente de enjuague aplicada durante un ciclo.

1. Presione el botón **Express 60 (Rápido 60)** para seleccionar el menú de configuración del nivel del agente de enjuague.
  - La pantalla muestra la configuración actual. (Ajuste predeterminado: "d4")
2. Presione el botón del ciclo **Auto (Automático)** para cambiar la configuración.
  - Puede seleccionar desde d1 hasta d5 (mínimo – máximo).
3. Espere 5 segundos para guardar la configuración.



# Limpieza y cuidado

## Limpieza

Mantenga limpia la lavavajillas para mejorar su rendimiento, reducir la cantidad de reparaciones innecesarias y alargar su vida útil.

### Exterior

Limpie los derrames en la superficie de la lavavajillas de inmediato. Utilice un paño suave y húmedo para limpiar suavemente todos los derrames y el polvo del panel de control.

#### ⚠ PRECAUCIÓN

- No utilice benceno, cera, diluyente, blanqueador a base de cloro, alcohol u otras sustancias químicas. Estos materiales pueden decolorar la superficie de la lavavajillas y ocasionar manchas.
- La lavavajillas tiene piezas eléctricas en su interior. No rocíe agua directamente sobre la lavavajillas. Proteja los componentes eléctricos del agua.
- Para un panel en puerta de acero inoxidable, utilice un limpiador de acero inoxidable para electrodomésticos y un paño limpio y suave.

### Interior

Limpie con regularidad el interior de la lavavajillas para eliminar las partículas de suciedad o comida. Limpie el interior de la lavavajillas y de la puerta con un paño húmedo.

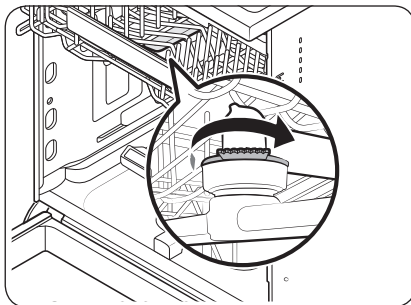
#### ⚠ PRECAUCIÓN

- No quite el sello frontal (el sello de goma largo que rodea la abertura de la lavavajillas). El sello mantiene el interior de la lavavajillas sellado.
- Utilice un paño húmedo para eliminar los depósitos de cal o grasa dentro de la lavavajillas. Como alternativa, agregue un poco de detergente y, luego, ejecute un ciclo vacío usando la temperatura de enjuague más alta.

### Boquillas

Para evitar que las boquillas se atasquen o si las boquillas están obstruidas, retire y limpie cada una. Tenga cuidado al retirar las boquillas porque pueden romperse.

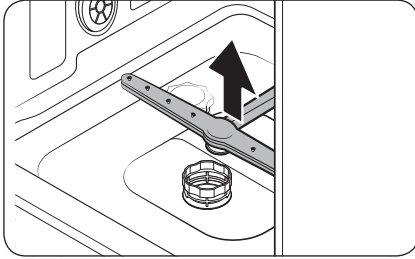
#### Boquilla superior



1. Abra la puerta y, luego, jale el estante superior para revelar la boquilla superior.
2. Afloje y retire la tuerca y, luego, quite la boquilla.
3. Desobstruya y limpie la boquilla.
4. Vuelva a insertar la boquilla y, luego, ajuste la tuerca con la mano.
5. Gire manualmente la boquilla para asegurarse de que esté bien enganchada.

# Limpeza y cuidado

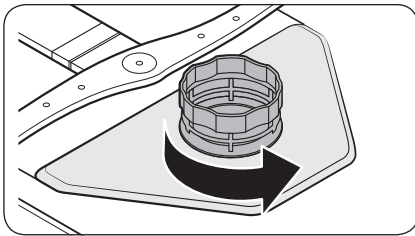
## Boquilla inferior



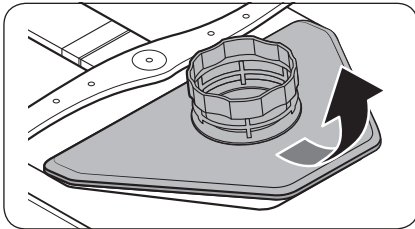
1. Abra la puerta y, luego, jale el estante inferior para retirarlo. Se puede ver la boquilla inferior en la parte de abajo.
2. Desobstruya y limpie la boquilla.
3. Vuelva a colocar la boquilla.
4. Gire manualmente la boquilla para asegurarse de que esté bien enganchada.

## Filtro

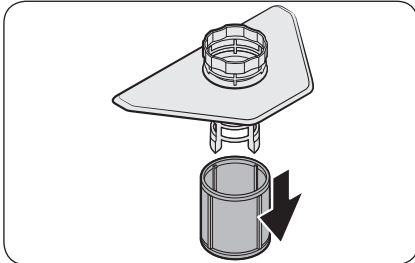
Recomendamos limpiar el filtro de forma mensual.



1. Abra la puerta y, luego, retire el estante inferior en primer lugar.
2. Gire la manija del filtro hacia la izquierda para destrabar el filtro grueso.



3. Retire el filtro grueso y, luego, el microfiltro cilíndrico que está debajo.





---

## Limpeza de la puerta

---

Para limpiar el borde alrededor de la puerta, se debe utilizar solamente un paño suave humedecido en agua tibia.

Además, nunca utilice limpiadores abrasivos o esponjas metálicas en las superficies exteriores. Pueden rayar el acabado. Algunas toallas de papel también pueden rayar o dejar marcas en la superficie.

### **ADVERTENCIA**

Nunca utilice un limpiador en aerosol para limpiar el panel de puerta. El limpiador podría dañar la traba de la puerta y los componentes eléctricos. No utilice un producto de limpieza abrasivo o toallas de papel para limpiar la puerta. Pueden rayar la puerta o dejar manchas en la superficie de acero inoxidable.

## Cuidado de la lavavajillas

---

Para limpiar el panel de controles utilice un paño ligeramente húmedo y, luego, seque completamente. Para limpiar el exterior, utilice una cera de buena calidad para lustrar el electrodoméstico.

Nunca utilice objetos cortantes, esponjas metálicas o limpiadores abrasivos en ninguna parte de la lavavajillas.

## Cuidado a largo plazo

---

Si no va a utilizar la lavavajillas durante un período de tiempo prolongado, primero drene completamente la unidad y, a continuación, desconecte la manguera de agua. Cierre la válvula de suministro de agua y corte el disyuntor. El agua que queda en las mangueras o en los componentes internos puede dañar la lavavajillas.



# Limpeza y cuidado

## Protección anticongelamiento

Si la lavavajillas se deja en un lugar sin calefacción durante el invierno:

1. Corte el suministro de energía eléctrica a la lavavajillas.
2. Cierre el suministro de agua y desconecte la tubería de entrada de la válvula de agua.
3. Drene el agua de la tubería de entrada y la válvula de agua. (Utilice una bandeja para recoger el agua).
4. Conecte nuevamente la tubería de entrada a la válvula de agua.
5. Retire el filtro del fondo del tambor y use una esponja para secar el agua.

## Cómo mantener la lavavajillas

### Después de cada lavado

- Después de cada lavado, cierre el suministro de agua al electrodoméstico y deje la puerta entreabierta para que la humedad y los olores no queden atrapados en el interior.

### Desenchufar

- Antes de realizar tareas de limpieza o mantenimiento, siempre desenchufe el electrodoméstico del tomacorriente.

### No limpiar con solventes o productos abrasivos

- No utilice solventes ni productos de limpieza abrasivos para limpiar el exterior y las partes de goma del electrodoméstico. Use solamente un paño y agua jabonosa tibia. Para eliminar las manchas de la superficie interior, utilice un paño humedecido con agua y un poco de vinagre blanco, o un producto de limpieza fabricado específicamente para lavavajillas.

### Al irse de vacaciones

- Al irse de vacaciones, se recomienda ejecutar un ciclo de lavado con la lavavajillas vacía y, luego, desenchufarla, desconectar el suministro de agua y dejar la puerta del electrodoméstico entreabierta. Esto ayudará a que los sellos duren más tiempo y a evitar malos olores en el electrodoméstico.

### Traslado del electrodoméstico

- Si se debe trasladar el electrodoméstico, intente mantenerlo en posición vertical. Si es absolutamente necesario, se lo puede colocar con la parte posterior hacia abajo.

### Sellos

- Uno de los factores que causan la formación de olores en la lavavajillas son los restos de comida que quedan atrapados en los sellos. La limpieza periódica con una esponja húmeda evitará que esto ocurra.



# Ciclos

## Tabla de ciclos

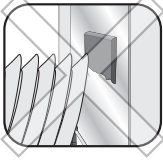
Ciclo		Auto (Automático)	Normal	Heavy (Muy sucio)	Delicate (Vajilla delicada)	Express 60 (Rápido 60)
Secuencia de ciclos		Prelavado ▶ Lavado principal ▶ Enjuague ▶ Enjuague caliente ▶ Secado ▶ Fin				
Temp (°F [°C])	Lavado principal	131-140 (55-60)	113-140 (45-60)	149 (65)	122 (50)	140 (60)
	Enjuague caliente *Sanitize (Desinfección) 156 °F (69 °C)	126 (52)	126 (52)	131 (55)	122 (50)	122 (50)
Consumo de agua [gal (ℓ)]		2.4-4.7 (9-17.7)	2.4-4.7 (9-17.7)	4.7 (17.7)	4.2 (15.9)	3.4 (12.8)
Tiempo del ciclo (mín.)		123-154	118-149	157	116	60

- Cuando selecciona el ciclo **Auto (Automático)** o **Normal** puede eliminar los pasos opcionales según el nivel de suciedad de la vajilla.
- El consumo de agua y el tiempo de lavado depende de los pasos o las opciones que agregue, y de la presión y la temperatura del agua suministrada.
- Cuando selecciona otras opciones, la duración del ciclo puede variar.
- Cuando falta producto de enjuague, el tiempo de lavado y la temperatura del último enjuague se incrementarán.
- Cuando selecciona la opción **Sanitize (Desinfección)**, se agrega el secado antes de que finalice el ciclo.

# Solución de problemas

## Controle estos puntos si su lavavajillas...

Problema	Causa posible	Solución
No enciende.	La puerta no está completamente cerrada.	<ul style="list-style-type: none"> <li>Verifique que la puerta esté trabada y completamente cerrada.</li> </ul>
	No se ha seleccionado ningún ciclo.	<ul style="list-style-type: none"> <li>Seleccione un ciclo adecuado.</li> </ul>
	El cable de alimentación no está conectado.	<ul style="list-style-type: none"> <li>Conecte el cable de alimentación adecuadamente.</li> </ul>
	No funciona el suministro de agua.	<ul style="list-style-type: none"> <li>Verifique que la válvula de suministro de agua esté abierta.</li> </ul>
	El panel de control está bloqueado.	<ul style="list-style-type: none"> <li>Desbloquee el Control Lock (Bloqueo de controles). (Consulte la página 12)</li> </ul>
	Un disyuntor está abierto.	<ul style="list-style-type: none"> <li>Reinicie el disyuntor.</li> </ul>
Tarda demasiado tiempo con una operación o un ciclo.	Se suministra agua fría.	<ul style="list-style-type: none"> <li>Asegúrese de que la tubería de suministro de agua esté conectada al suministro de agua caliente. (Se requiere más tiempo para calentar el agua fría).</li> </ul>
La vajilla presenta partículas de comida. (La limpieza no es adecuada).	Seleccionó un ciclo inadecuado.	<ul style="list-style-type: none"> <li>Seleccione un ciclo de acuerdo con la cantidad de vajilla y su nivel de suciedad, tal como lo indica este manual.</li> </ul>
	La temperatura del agua es baja.	<ul style="list-style-type: none"> <li>Conecte la tubería de suministro de agua a la llave del agua caliente.</li> <li>Para obtener el mejor desempeño, la temperatura del agua suministrada debe ser de 120 °F (49 °C).</li> </ul>
	Presión de agua baja.	<ul style="list-style-type: none"> <li>La presión del agua debe estar entre 20 y 120 psi (140-830 kPa).</li> </ul>
	No se usó detergente para lavavajillas.	<ul style="list-style-type: none"> <li>Utilice detergente para lavavajillas automático.</li> <li>Recomendamos un detergente para lavavajillas en polvo o en gel.</li> </ul>

Problema	Causa posible	Solución
La vajilla presenta partículas de comida. (La limpieza no es adecuada).	Quedan restos de detergente en el dosificador. 	<ul style="list-style-type: none"> <li>Asegúrese de que los artículos grandes, como bandejas para hornear galletas, tablas para cortar, recipientes, etc., no bloqueen el dosificador de detergente o impidan que se abra adecuadamente.</li> <li>Reacomode la vajilla de manera que no interfiera con el funcionamiento del dosificador del detergente.</li> </ul>
	No hay producto de enjuague.	<ul style="list-style-type: none"> <li>Verifique el dosificador y agregue agente de enjuague.</li> <li>Utilice un agente de enjuague líquido.</li> </ul>
	Hay una boquilla obstruida.	<ul style="list-style-type: none"> <li>Limpie la boquilla. Consulte la página 25.</li> </ul>
	La vajilla no se cargó correctamente. Se cargó demasiada vajilla.	<ul style="list-style-type: none"> <li>Reacomode la vajilla de manera que no interfiera con la rotación de la boquilla ni con el funcionamiento del dosificador del detergente.</li> <li>Cargue solamente la cantidad adecuada de platos.</li> <li>Cargue la vajilla según las recomendaciones. (Consulte las páginas 18 a 19)</li> </ul>
Deja las copas con poco brillo.	El agua suministrada es blanda y se ha usado demasiado detergente.	<ul style="list-style-type: none"> <li>Disminuya la carga de la lavavajillas y utilice un agente de enjuague para minimizar esto.</li> </ul>
	La carga incluye vajilla de aluminio.	<ul style="list-style-type: none"> <li>Elimine las marcas de la vajilla con un limpiador de baja sensibilidad.</li> </ul>
Deja una película amarilla o marrón en el interior de la lavavajillas.	Esto es debido a restos de café o té.	<ul style="list-style-type: none"> <li>Elimine esta suciedad con un limpiador de manchas.</li> </ul>

# Solución de problemas

Problema	Causa posible	Solución
Los platos no se secan bien.	No hay producto de enjuague en el dosificador.	<ul style="list-style-type: none"> <li>• Verifique el dosificador y agregue agente de enjuague.</li> <li>• Use un producto líquido para el enjuague.</li> </ul>
	Cuando la lavavajillas está funcionando, la temperatura del agua es baja.	<ul style="list-style-type: none"> <li>• Asegúrese de que la tubería de suministro de agua esté conectada al suministro de agua caliente.</li> <li>• Utilice producto de enjuague con la opción <b>Sanitize (Desinfección)</b>.</li> </ul>
	Se cargó demasiada vajilla.	<ul style="list-style-type: none"> <li>• La carga inadecuada de los elementos puede afectar el secado.</li> <li>• Cargue la vajilla según las recomendaciones. (Consulte las páginas <b>18 a 19</b>)</li> </ul>
	Los vasos y las copas cóncavos retienen agua. El agua puede derramarse sobre otros objetos al sacarlos.	<ul style="list-style-type: none"> <li>• Luego de la finalización del ciclo, vacíe en primer lugar el estante inferior y luego el superior. Esto evitará que el agua del estante superior gotee sobre la vajilla del estante inferior.</li> </ul>
Tiene mal olor.	Quedó agua después de un ciclo incompleto.	<ul style="list-style-type: none"> <li>• Con la lavavajillas vacía, agregue detergente en el dosificador y, luego, ejecute el ciclo <b>Normal</b> para limpiar la lavavajillas.</li> </ul>
	La manguera de desagüe está obstruida.	<ul style="list-style-type: none"> <li>• Comuníquese con un técnico de servicio calificado para eliminar cualquier obstrucción de la manguera de drenaje.</li> </ul>
	No usa la lavavajillas cada día o deja vajilla sucia en la unidad demasiado tiempo.	<ul style="list-style-type: none"> <li>• Con la lavavajillas vacía y sin detergente en el dosificador, ponga un vaso con 8 onzas de vinagre boca arriba en el estante inferior y ejecute un ciclo <b>Normal</b>.</li> </ul>

Problema	Causa posible	Solución
Hace demasiado ruido.	Cuando la cubierta del dosificador está abierta y el funcionamiento de la bomba de desagüe está en las primeras etapas, se genera ruido.	<ul style="list-style-type: none"> <li>Este funcionamiento es normal.</li> </ul>
	La lavavajillas no está nivelada.	<ul style="list-style-type: none"> <li>Asegúrese de que la lavavajillas esté nivelada.</li> </ul>
	Hay materiales extraños (un tornillo, una pieza de plástico) en la cámara de la bomba.	<ul style="list-style-type: none"> <li>Comuníquese con un técnico de servicio calificado para eliminar cualquier material extraño de la cámara de la bomba.</li> </ul>
	Se escucha un "golpeteo" porque una boquilla golpea contra la vajilla.	<ul style="list-style-type: none"> <li>Reacomode la vajilla.</li> </ul>
La boquilla no gira fácilmente.	Los agujeros de la boquilla están obstruidos con partículas de comida.	<ul style="list-style-type: none"> <li>Limpie el orificio de la boquilla. Consulte la página 25.</li> </ul>
	Un plato o una olla bloquean la boquilla y esta no puede girar.	<ul style="list-style-type: none"> <li>Después de colocar los platos en los estantes, gire las boquillas de forma manual para verificar si alguno de los platos interfiere con ellas.</li> </ul>
No se vacía el agua de la lavavajillas.	El drenaje se obstruyó.	<ul style="list-style-type: none"> <li>Comuníquese con un técnico calificado para retirar cualquier obstrucción de la manguera de desagüe y revise el funcionamiento de la bomba de drenaje.</li> </ul>
Presenta su estante superior doblado luego de cargar la vajilla.	Se cargó incorrectamente la vajilla.	<ul style="list-style-type: none"> <li>Cargue la vajilla según las recomendaciones. (Consulte las páginas 18 a 19)</li> </ul>
No se puede cerrar la puerta.	El modo de Secado Auto Release™ está en uso.	<ul style="list-style-type: none"> <li>Cuando la puerta se abre en el modo de Secado Auto Release™, no se puede cerrar manualmente durante los 2 minutos siguientes. Puede cerrar la puerta después de 2 minutos.</li> </ul>

# Solución de problemas

## Códigos de información

El panel de control muestra códigos de información para ayudarle a comprender mejor qué ocurre con la lavavajillas.

Código	Acción
LC	<b>Verificación de fugas</b> <ul style="list-style-type: none"><li>• Si se producen fugas desde la conexión de la válvula de suministro de agua, cierre la válvula y vaya al panel del disyuntor de su casa, apague el disyuntor de la lavavajillas y, luego, comuníquese con el instalador para que realice la reparación.</li><li>• Si el problema continúa, contacte a un centro de servicio técnico de Samsung autorizado.</li></ul>
4C	<b>Control de suministro de agua</b> <ul style="list-style-type: none"><li>• Verifique si la válvula de suministro de agua está cerrada, si se ha suspendido el suministro de agua o si el conducto o la válvula de entrada de agua están congelados u obstruidos.</li><li>• Asegúrese de que la bomba de drenaje esté funcionando y de que el agua del conjunto se haya drenado, verifique que no haya obstrucciones en el drenaje.</li><li>• Si el problema continúa, cierre la válvula del suministro de agua y contacte a un servicio técnico de Samsung autorizado.</li></ul>
tC	<b>Verificación del termistor</b> <ul style="list-style-type: none"><li>• El sensor de temperatura está roto (circuito abierto o cerrado) Si el problema continúa, contacte a un centro de servicio técnico de Samsung autorizado.</li></ul>
HC	<b>Control de calentamiento de temperatura alta</b> <ul style="list-style-type: none"><li>• El producto asegura que la temperatura del conducto de agua caliente no sea demasiado elevada y automáticamente ajusta la temperatura adecuada (120 °F (49 °C) a 149 °F (65 °C)).</li><li>• Si el problema continúa, vaya al panel del disyuntor de su casa, desconecte el disyuntor de la lavavajillas y contacte a un servicio técnico de Samsung autorizado.</li></ul>
AC	<b>Verificación de la comunicación PCB</b> <ul style="list-style-type: none"><li>• Comunicación anormal entre el PCB principal y el sub-PCB.</li><li>• Si el problema continúa, contacte a un centro de servicio técnico de Samsung autorizado.</li></ul>

Para los códigos que no figuran más arriba, llame al 1-800-SAMSUNG (726-7864).

# Apéndice

## Ayuda al medio ambiente

- Esta lavavajillas se fabrica con materiales reciclables. Si decide deshacerse de ella, siga la normativa local relacionada con la eliminación de desechos. Corte el cable de alimentación para que el aparato no pueda conectarse a una fuente de alimentación.
- Quite la puerta para que los animales y los niños pequeños no puedan quedar atrapados dentro del electrodoméstico.
- No utilice cantidades de detergente superiores a las recomendadas por el fabricante del detergente.

## Especificaciones

Modelo		DW50T6060US
Tipo		Lavavajillas integrable
Alimentación		120 V / 60 Hz solamente
Uso de potencia nominal	Motor de lavado	26-50 W
	Calentador	1000 W
Capacidad de lavado		8 puestos
Presión de agua utilizada		20-120 psi (140-830 kPa)
Dimensiones (Ancho × Profundidad × Altura)		18 x 22 <sup>7</sup> / <sub>16</sub> x 32 <sup>1</sup> / <sub>16</sub> pulg. (450 x 570 x 815 mm)
Peso		Desembalado 72.7 lb. (33 kg)

# Garantía

## Garantía (EE. UU.)

### LAVAJILLAS SAMSUNG

#### GARANTÍA LIMITADA PARA EL COMPRADOR ORIGINAL CON PRUEBA DE COMPRA

El presente producto de la marca SAMSUNG, tal como lo provee y distribuye SAMSUNG ELECTRONICS AMERICA, INC. (SAMSUNG) y lo entrega como nuevo, en su empaque de cartón original al comprador o consumidor original, está garantizado por SAMSUNG contra defectos de fabricación de los materiales o mano de obra durante el periodo limitado de la garantía, a partir de la fecha original de compra, de:

Un (1) año para todas las piezas y la mano de obra,

Cinco (5) años para la placa de circuito impreso, los estantes, el revestimiento de la puerta y el tambor de acero inoxidable por pérdidas. (Piezas solamente)

Esta garantía limitada es válida únicamente para productos comprados y usados en los Estados Unidos y que fueron instalados, utilizados y mantenidos de acuerdo con las instrucciones provistas con el producto. Para recibir el servicio técnico de la garantía, el comprador debe comunicarse con la dirección o el teléfono de SAMSUNG que figuran más abajo con el fin de que se determine el problema y los procedimientos del servicio. El servicio técnico de la garantía solo puede ser prestado por un centro de servicio técnico autorizado de SAMSUNG. Se debe presentar la factura de compra original como prueba de compra a SAMSUNG o al centro de servicio técnico autorizado de SAMSUNG para recibir el servicio técnico de la garantía.

SAMSUNG brindará servicio técnico a domicilio sin cargo dentro del territorio contiguo de Estados Unidos durante el periodo de garantía, sujeto a la disponibilidad de los proveedores de servicio autorizados de SAMSUNG del área geográfica del cliente. Si el servicio a domicilio no está disponible, SAMSUNG podrá optar, a su elección, por brindar el servicio de transporte del producto de ida y vuelta al centro de servicio. Si el producto está ubicado en una zona en la que no se encuentra disponible ningún centro de servicio autorizado por SAMSUNG, usted podrá ser responsable del cargo por transporte o se le podrá requerir que entregue el producto a un centro de servicio autorizado por SAMSUNG para recibir asistencia técnica.

Para recibir el servicio técnico a domicilio, el producto no debe presentar obstrucciones y debe ser accesible para el agente del servicio técnico.

Durante el periodo de garantía aplicable, el producto se reparará o se reemplazará, o se devolverá el importe de compra, a la entera discreción de SAMSUNG. SAMSUNG podrá usar piezas nuevas o reacondicionadas para la reparación del producto, así como reemplazar el producto por un producto nuevo o reacondicionado. La vigencia de la garantía de las piezas y los productos reemplazados será por el periodo restante de la garantía original del producto o por un periodo de noventa (90) días, el que sea el más largo. Todas las piezas y los productos reemplazados son propiedad de SAMSUNG y deben ser devueltos a SAMSUNG.



---

La presente garantía limitada cubre defectos de fabricación de los materiales y la mano de obra encontrados durante el uso normal y doméstico de este producto y no será válida para lo siguiente: daños que ocurran durante el envío; entrega e instalación; aplicaciones y usos para los cuales el presente producto no fue destinado; daños causados por la modificación o alteración no autorizada del producto; producto con números de serie de fábrica originales alterados, defectuosos o que falten, o que no puedan ser determinados con claridad; daños estéticos como raspones, abolladuras, muescas u otros daños al acabado del producto; daños causados por abuso, mal uso, plagas, accidentes, incendios, inundaciones u otros casos fortuitos o de fuerza mayor; daños causados por el uso de equipos, utilidades, servicios, piezas, suministros, accesorios, aplicaciones, instalaciones, reparaciones, cableado externo o conectores no provistos ni autorizados por SAMSUNG; daños causados por voltaje de la línea eléctrica incorrecto, fluctuaciones y sobretensión; daños causados por no utilizar y mantener el producto de acuerdo con las instrucciones; instrucciones a domicilio sobre cómo utilizar el producto; servicio técnico para corregir una instalación que no se realizó de acuerdo con los códigos eléctricos y de plomería, arreglar conexiones eléctricas o de plomería del hogar (es decir, el cableado del hogar, los fusibles o las mangueras de entrada de agua).

El costo de reparación o reemplazo bajo estas circunstancias excluidas será responsabilidad del cliente.

Las visitas de un técnico de servicio autorizado para explicar las funciones, el mantenimiento o la instalación del producto no están cubiertas por esta garantía limitada. Comuníquese con SAMSUNG al número que figura a continuación si necesita asistencia en los anteriores casos.

#### **EXCLUSIÓN DE GARANTÍAS IMPLÍCITAS**

LAS GARANTÍAS IMPLÍCITAS, INCLUYENDO GARANTÍAS DE COMERCIABILIDAD O APTITUD PARA UN PROPÓSITO EN PARTICULAR, ESTÁN LIMITADAS A UN AÑO O AL PERIODO MÁS CORTO PERMITIDO POR LA LEY. Algunos estados no permiten limitaciones en cuanto al periodo de vigencia de una garantía implícita, de tal forma que las limitaciones o exclusiones mencionadas tal vez no se apliquen a usted en particular. Esta garantía le otorga derechos específicos, e incluso puede otorgarle otros derechos que varían de un estado a otro.

# Garantía

---

## LIMITACIÓN DE RECURSOS

EL ÚNICO Y EXCLUSIVO RECURSO ES LA REPARACIÓN DEL PRODUCTO, EL REEMPLAZO DEL PRODUCTO O LA DEVOLUCIÓN DEL IMPORTE DE COMPRA, A DISCRECIÓN DE SAMSUNG, CONFORME A ESTA GARANTÍA LIMITADA. SAMSUNG NO SERÁ RESPONSABLE POR DAÑOS ESPECIALES, IMPREVISTOS O DERIVADOS, INCLUYENDO ENTRE OTROS, TIEMPO FUERA DEL TRABAJO, HOTELES Y/O COMIDAS EN RESTAURANTES, GASTOS DE REMODELACIÓN, PÉRDIDAS DE INGRESOS O GANANCIAS, INCAPACIDAD DE GENERAR AHORROS U OTROS BENEFICIOS INDEPENDIENTEMENTE DE LA TEORÍA LEGAL EN LA QUE SE BASE EL RECLAMO, E INCLUSO SI SAMSUNG HA SIDO ADVERTIDA DE LA POSIBILIDAD DE DICHOS DAÑOS. Algunos estados no permiten la exclusión o la limitación de daños imprevistos o derivados, por lo que las limitaciones o exclusiones mencionadas tal vez no se apliquen a usted en particular. Esta garantía le otorga derechos específicos, e incluso puede otorgarle otros derechos que varían de un estado a otro.

SAMSUNG no garantiza el funcionamiento ininterrumpido o sin errores del producto. Ningún aval o garantía otorgados por otra persona, compañía o corporación con respecto al presente producto revestirá carácter vinculante para SAMSUNG.

Para recibir un servicio técnico de garantía, comuníquese con SAMSUNG a:

En EE.UU.

Samsung Electronics America, Inc.

85 Challenger Road

Ridgefield Park, NJ 07660

1-800-SAMSUNG (726-7864)

[www.samsung.com/us/support](http://www.samsung.com/us/support)

## Garantía (CANADÁ)

### LAVAVAJILLAS SAMSUNG

#### GARANTÍA LIMITADA PARA EL COMPRADOR ORIGINAL

El presente producto de la marca SAMSUNG, tal como lo provee y distribuye SAMSUNG ELECTRONICS CANADA, INC. (SAMSUNG) y lo entrega como nuevo, en su empaque de cartón original al comprador o consumidor original, está garantizado por SAMSUNG contra defectos de fabricación de los materiales y la mano de obra durante el período limitado de la garantía de:

Un (1) año para todas las piezas y la mano de obra,

Cinco (5) años para la placa de circuito impreso, los estantes, el revestimiento de la puerta y el tambor de acero inoxidable por pérdidas. (Piezas solamente)

La presente garantía limitada comienza en la fecha original de compra y es válida únicamente para productos comprados y usados en Canadá. Para recibir el servicio técnico de la garantía, el comprador debe comunicarse con SAMSUNG con el fin de que se determine el problema y los procedimientos del servicio. El servicio técnico de la garantía solo puede ser prestado por un centro de servicio técnico autorizado de SAMSUNG. Se debe presentar la factura de compra original como prueba de compra a SAMSUNG o al servicio técnico autorizado de SAMSUNG. SAMSUNG prestará servicio técnico a domicilio durante el período de la garantía sin costo, sujeto a la disponibilidad dentro de Canadá contigua.

El servicio técnico a domicilio no está disponible en todas las áreas.

Para recibir el servicio técnico a domicilio, el producto no debe presentar obstrucciones y debe ser accesible para el agente del servicio técnico. Si el servicio técnico no está disponible, SAMSUNG puede optar por transportar el producto hasta y desde el servicio técnico autorizado.

SAMSUNG reparará, reemplazará el producto u ofrecerá un reembolso a nuestra discreción y sin cargo adicional, tal como se establece en la presente garantía, con piezas o productos nuevos o reacondicionados si se comprueba que es defectuoso durante el período limitado de la garantía especificado anteriormente. Todas las piezas y los productos reemplazados pasan a ser propiedad de SAMSUNG y deben ser devueltos a SAMSUNG. Las piezas y los productos reemplazados asumen la garantía original que resta, o noventa (90) días, el período que sea el más prolongado.

La presente garantía limitada cubre defectos de fabricación de los materiales y la mano de obra encontrados durante el uso normal y doméstico de este producto y no será válida para lo siguiente: daños que ocurran durante el envío; entrega e instalación; aplicaciones y usos para los cuales el presente producto no fue destinado; producto o números de serie alterados; daño cosmético o acabado exterior; accidentes, abuso, descuido, incendio, inundación, caída de rayos, u otros casos fortuitos o de fuerza mayor; uso de productos, equipo, sistemas, utilidades, servicios, piezas, suministros, accesorios, aplicaciones, instalaciones, reparaciones, cableado externo o conectores no provistos ni autorizados por SAMSUNG que dañen este producto o que acarreen problemas en el servicio; voltaje de la línea eléctrica incorrecto, fluctuaciones y sobretensión; ajustes del cliente e incumplimiento de lo establecido en el manual de instrucciones, instrucciones de mantenimiento y ambientales que están cubiertas y recomendadas en el manual de instrucciones; traslado y reinstalación del producto; problemas causados por plagas. La presente garantía limitada no cubre problemas derivados de la corriente, el voltaje o el suministro eléctrico incorrectos, las bombillas de luz, los fusibles de la casa, el cableado de la casa, el costo del servicio técnico para recibir instrucciones o corregir errores en la instalación. SAMSUNG no garantiza el funcionamiento ininterrumpido o sin errores del producto.

# Garantía

---

SALVO LO ESTABLECIDO EN LA PRESENTE GARANTÍA, NO EXISTEN GARANTÍAS SOBRE EL PRESENTE PRODUCTO, YA SEAN EXPRESAS O TÁCITAS, Y SAMSUNG DESCONOCE TODAS LAS GARANTÍAS QUE INCLUYEN, AUNQUE NO EN CARÁCTER TAXATIVO, CUALQUIER GARANTÍA TÁCITA DE QUE EL PRODUCTO SE ENCUENTRA EN CONDICIONES APTAS PARA LA VENTA, DE DEFRAUDACIÓN DE DERECHOS O DE QUE EL PRODUCTO SE ADECUA A LOS FINES ESPECÍFICOS PARA LOS CUALES SE ADQUIERE. NINGÚN AVAL O GARANTÍA OTORGADOS POR PERSONA, COMPAÑÍA O CORPORACIÓN ALGUNA CON RESPECTO AL PRESENTE PRODUCTO REVESTIRÁ CARÁCTER VINCULANTE PARA SAMSUNG. SAMSUNG NO SERÁ RESPONSABLE POR PÉRDIDA DE INGRESOS O LUCRO CESANTE, IMPOSIBILIDAD DE GENERAR AHORROS U OBTENER OTROS BENEFICIOS, O CUALQUIER DAÑO DERIVADO DE CIRCUNSTANCIAS ESPECIALES, DAÑO IMPREVISTO O DERIVADO CAUSADO POR EL USO, USO INCORRECTO, O INCAPACIDAD PARA USAR EL PRESENTE PRODUCTO, INDEPENDIEMENTE DE LA TEORÍA LEGAL EN QUE SE FUNDE EL RECLAMO Y AUN CUANDO SE LE HAYA NOTIFICADO A SAMSUNG DE LA POSIBILIDAD DE TALES DAÑOS.

NINGÚN RESARCIMIENTO DE NINGUNA ÍNDOLE CONTRA SAMSUNG SUPERARÁ EL MONTO DEL PRECIO DE COMPRA DEL PRODUCTO VENDIDO POR SAMSUNG Y CAUSANTE DEL PRESUNTO DAÑO.

SIN LIMITAR LO PRECEDENTE, EL COMPRADOR ASUME TODO EL RIESGO Y LA RESPONSABILIDAD POR PÉRDIDA, DAÑO O LESIÓN AL COMPRADOR Y A LOS BIENES DEL COMPRADOR Y A TERCEROS Y A SUS BIENES DERIVADOS DEL USO, USO INCORRECTO O INCAPACIDAD PARA USAR EL PRESENTE PRODUCTO. LA PRESENTE GARANTÍA LIMITADA NO SE EXTENDERÁ A NINGUNA PERSONA DISTINTA DEL COMPRADOR ORIGINAL DEL PRESENTE PRODUCTO, ES INTRANSFERIBLE Y ESTABLECE SU EXCLUSIVA REPARACIÓN.

---

Algunos estados o provincias no permiten limitaciones en cuanto al plazo de una garantía implícita, o la exclusión o limitación de daños imprevistos o derivados, por lo tanto las limitaciones o exclusiones antedichas pueden no aplicarse en su caso. Esta garantía le otorga derechos específicos, y además puede tener otros derechos que varían según el estado o la provincia.

Para recibir un servicio técnico de garantía, comuníquese con SAMSUNG a:

En CANADÁ

Samsung Electronics Canada Inc.

2050 Derry Road West

Mississauga, Ontario L5N 0B9 Canada

1-800-SAMSUNG (726-7864)

[www.samsung.com/ca/support](http://www.samsung.com/ca/support) (English)

[www.samsung.com/ca\\_fr/support](http://www.samsung.com/ca_fr/support) (French)

# Notas

---

# Notas

---

# SAMSUNG



Scan the QR code\* or visit  
[www.samsung.com/spsn](http://www.samsung.com/spsn)  
to view our helpful  
How-to Videos and Live Shows

\*Requires reader to be installed on your smartphone

[bit.ly/samsungdishwashers](http://bit.ly/samsungdishwashers)

## ¿TIENE ALGUNA PREGUNTA O ALGÚN COMENTARIO?

PAÍS	LLAME AL	O VISÍTENOS EN LÍNEA EN
U.S.A - Consumer Electronics - Mobile Phones	1-800-SAMSUNG (726-7864) 1-844-SAM-PAYS (726-7297)	<a href="http://www.samsung.com/us/support">www.samsung.com/us/support</a>
CANADA	1-800-SAMSUNG(726-7864) 1-844-SAM-PAYS (726-7297)	<a href="http://www.samsung.com/ca/support">www.samsung.com/ca/support</a> (English) <a href="http://www.samsung.com/ca_fr/support">www.samsung.com/ca_fr/support</a> (French)



DD81-03054A-00



# Lave-vaisselle

---

## Manuel d'utilisation

Série DW50T6060

---



**SAMSUNG**

# Table des matières

---

<b>Consignes de sécurité</b>	<b>4</b>
Ce que vous devez savoir sur les consignes de sécurité	4
Symboles de sécurité importants	4
Avant d'utiliser votre lave-vaisselle	7
<b>Installation du lave-vaisselle</b>	<b>8</b>
Déballage du lave-vaisselle	8
Contrôle du contenu	9
Conditions indispensables à l'installation	10
Tableau de commande	12
Présentation des programmes	14
<b>Utilisation du lave-vaisselle</b>	<b>15</b>
Instructions de base	15
Commandes tactiles	16
Départ différé	16
Réglage de la hauteur du panier supérieur	17
Retrait du panier supérieur	18
Chargement du panier inférieur	18
Chargement du panier supérieur	19
Utilisation du panier à couverts	20
Utilisation du produit de lavage	21
Utilisation du produit de rinçage	23
Mode Réglage	24
<b>Nettoyage et entretien</b>	<b>25</b>
Nettoyage	25
Nettoyage de la porte	27
Entretien de votre lave-vaisselle	27
Entretien sur le long terme	27
Protection contre le gel	28
Entretien de votre lave-vaisselle	28

---

<b>Programmes</b>	<b>29</b>
Tableau des programmes	29
<b>Dépannage</b>	<b>30</b>
Consultez cette rubrique si vous rencontrez l'un des problèmes suivants.	30
Codes d'information	34
<b>Annexe</b>	<b>35</b>
Protection de l'environnement	35
Caractéristiques techniques	35
<b>Garantie</b>	<b>36</b>
Garantie (États-Unis)	36
Garantie (CANADA)	39

# Consignes de sécurité

Félicitations pour l'acquisition de votre nouveau lave-vaisselle Samsung. Ce manuel contient des informations importantes concernant l'installation, l'utilisation et l'entretien de votre appareil. Veuillez le lire attentivement afin de profiter pleinement des nombreux avantages et fonctions qu'offre votre lave-vaisselle.

## Ce que vous devez savoir sur les consignes de sécurité

Les avertissements et les consignes de sécurité importantes contenus dans ce manuel ne sont pas exhaustifs. Il est de votre responsabilité de faire appel à votre bon sens et de faire preuve de prudence et de minutie lors de l'installation, de l'entretien et de l'utilisation de votre lave-vaisselle.

## Symboles de sécurité importants

Signification des icônes et des symboles utilisés dans ce manuel :

### **AVERTISSEMENT**

Risques ou manipulations dangereuses susceptibles d'entraîner **des blessures graves, voire mortelles**. Afin de réduire les risques d'incendie, d'explosion, d'électrocution ou de blessures corporelles lors de l'utilisation de votre lave-vaisselle, vous devez respecter ces règles de sécurité de base :

### **ATTENTION**

Risques ou manipulations dangereuses susceptibles d'entraîner **des blessures corporelles ou des dommages matériels mineurs**.

### **REMARQUE**

Ces symboles d'avertissement visent à éviter que vous ou quelqu'un d'autre ne se blesse. Veuillez vous y conformer scrupuleusement.

Lorsque vous aurez terminé de lire ce manuel, conservez-le dans un endroit sûr afin de pouvoir le consulter ultérieurement.

# CONSERVEZ CES INSTRUCTIONS

## Avertissement de la Proposition 65 de la Californie

 **AVERTISSEMENT** : Cancer et Troubles de l'appareil reproducteur - [www.P65Warnings.ca.gov](http://www.P65Warnings.ca.gov)

### AVERTISSEMENT

Lorsque vous utilisez le lave-vaisselle, respectez les consignes de base, notamment les suivantes :

1. Lisez toutes les consignes de sécurité avant d'utiliser le lave-vaisselle.
2. Utilisez le lave-vaisselle uniquement pour l'utilisation prévue.
3. Utilisez uniquement des produits de lavage et des produits mouillants spécialement conçus pour lave-vaisselle et maintenez-les hors de portée des enfants.
4. Lors du chargement d'objets à laver :
  - positionnez les objets tranchants de manière à ce qu'ils ne risquent pas d'endommager le joint de la porte ; et
  - chargez les couteaux tranchants avec le manche vers le haut afin de réduire le risque de coupures.
5. Ne lavez pas d'objets en plastique à moins qu'ils ne portent la mention « Lavable au lave-vaisselle » (ou équivalent). Pour les objets en plastique dépourvus de cette mention, consultez les recommandations du fabricant.
6. Ne touchez pas l'ÉLÉMENT CHAUFFANT pendant ou immédiatement après utilisation.
7. Ne faites jamais fonctionner le lave-vaisselle si tous les panneaux du CHÂSSIS ne sont pas en place.
8. Ne modifiez pas les boutons de commande.
9. Ne forcez pas, ne vous asseyez pas et ne marchez pas sur la porte ou les paniers du lave-vaisselle.
10. Afin de limiter les risques de blessures, ne laissez pas les enfants jouer dans ou sur le lave-vaisselle.
11. Dans certaines conditions, de l'hydrogène peut être généré dans un système d'eau chaude qui n'a pas été utilisé pendant deux semaines voire plus. L'HYDROGÈNE EST UN GAZ EXPLOSIF. Si le système d'eau chaude est resté inutilisé pendant une telle durée, avant d'utiliser le lave-vaisselle, ouvrez tous les robinets d'eau chaude et laissez l'eau couler plusieurs minutes. Cela permet d'évacuer l'hydrogène éventuellement présent. Le gaz étant inflammable, ne fumez pas et n'utilisez pas de flamme nue lors de cette opération.
12. Retirez la porte du compartiment de lavage d'un ancien lave-vaisselle avant de le rapporter au service de réparation ou de le mettre au rebut.

## CONSERVEZ CES INSTRUCTIONS



# Consignes de sécurité

## ATTENTION

- Après déballage du lave-vaisselle, maintenez les emballages hors de portée des enfants.
- Le lave-vaisselle est très lourd. N'essayez pas de le déplacer ou de le soulever seul. Au minimum deux personnes sont nécessaires pour déplacer le lave-vaisselle et ainsi éviter tout risque de blessures.
- À l'instar de tout type d'équipement électrique, utilisant l'eau et comportant des parties mobiles, des risques potentiels existent.
- N'installez pas le lave-vaisselle près d'appareils électriques. Éloignez-le des flammes nues.
- Installez et mettez à niveau votre lave-vaisselle sur un sol non recouvert de moquette et capable de supporter son poids.
- Votre lave-vaisselle doit être correctement relié à la terre. Ne le branchez jamais à une prise non reliée à la terre.  
Reportez-vous en page 7 pour plus d'informations sur la mise à la terre de votre lave-vaisselle.
- Connectez le fil de terre au connecteur de terre vert du bornier.
- Une fois le lave-vaisselle installé, vérifiez que le tuyau d'évacuation est correctement raccordé et que les raccords du tuyau ne présentent aucune fuite. Si le tuyau d'évacuation est mal fixé, cela risque d'entraîner des dégâts matériels.
- Le tuyau d'alimentation en eau est susceptible de se rompre. Avec le temps, il devient moins flexible. Vérifiez-le régulièrement. S'il est gonflé, craquelé, coupé ou s'il présente une fuite d'eau, remplacez-le immédiatement.
- Pour une utilisation sûre de cet appareil, il est fortement recommandé de vous familiariser avec ses fonctions et de rester vigilant lors de son utilisation.
- Ne mettez pas d'essence, de solvants ou autres substances inflammables dans le lave-vaisselle. Ne lavez pas d'objets ayant été exposés à ce type de matières.
- Maintenez le produit de lavage pour lave-vaisselle hors de la portée des enfants. Ce type de produits est dangereux pour la santé. Contenant des éléments de polissage, ils sont corrosifs. Évitez tout contact avec la peau ou les yeux.
- N'exercez aucune pression sur la porte lorsqu'elle est ouverte car cela risquerait d'endommager le lave-vaisselle et vous pourriez vous blesser.
- Ne laissez pas les enfants jouer dans ou sur le lave-vaisselle. Ils risqueraient de se blesser ou d'endommager le lave-vaisselle.
- Débranchez le câble d'alimentation (ou coupez le disjoncteur) avant de procéder à l'entretien de votre lave-vaisselle.
- Ne réparez pas et ne remplacez pas vous-même les éléments du lave-vaisselle. Le démontage, les réparations et les modifications ne doivent être effectués que par des techniciens de maintenance agréés. Toute intervention de la part d'une personne non autorisée risque d'annuler la garantie.
- Avant de mettre votre lave-vaisselle au rebut, retirez la porte du compartiment de lavage ou le loquet de la porte de manière à ce que des enfants ou de petits animaux ne puissent pas être emprisonnés à l'intérieur.
- Si le lave-vaisselle reste inutilisé pendant une période prolongée, coupez l'arrivée d'eau.
- Ce lave-vaisselle est prévu pour une utilisation privée uniquement.

## CONSERVEZ CES INSTRUCTIONS



---

## Avant d'utiliser votre lave-vaisselle

---

### AVERTISSEMENT



#### Risque de basculement

- N'utilisez pas le lave-vaisselle avant qu'il ne soit correctement installé.
- N'appuyez pas sur la porte du lave-vaisselle lorsque celle-ci est ouverte.
- Ne placez rien de trop lourd sur la porte du lave-vaisselle lorsque celle-ci est ouverte.



#### Risque d'électrocution

Le non-respect de ces consignes peut entraîner un incendie ou une électrocution et avoir des conséquences mortelles.

- Reliez le lave-vaisselle à la terre.
- Connectez le fil de terre au connecteur de terre vert de la boîte de jonction.
- N'utilisez pas de rallonge.

# CONSERVEZ CES INSTRUCTIONS



# Installation du lave-vaisselle

---

Veillez à ce que votre installateur respecte soigneusement ces consignes afin de garantir le bon fonctionnement de votre lave-vaisselle et d'éviter tout risque de blessures lors de son utilisation.

## Déballage du lave-vaisselle

---

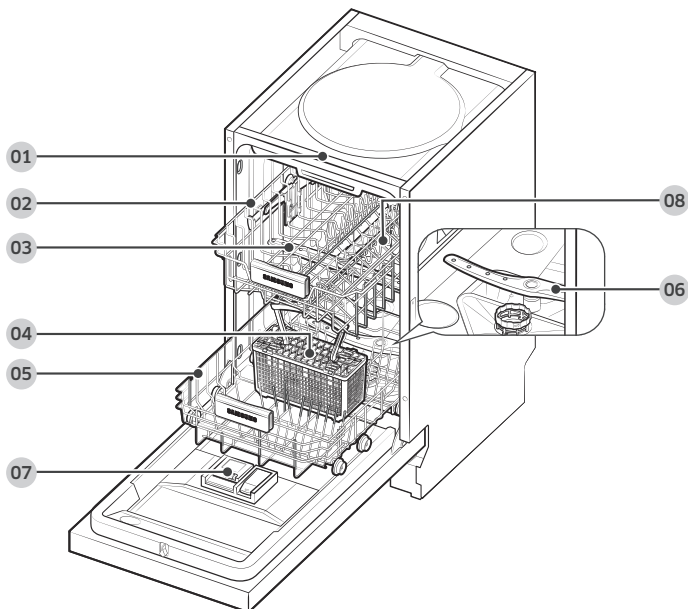
- Après la livraison de votre nouveau lave-vaisselle, déballez-le soigneusement et vérifiez qu'il n'a pas été endommagé. Si tel est le cas, précisez-le sur le bordereau de livraison et gardez-en une copie. N'installez pas le lave-vaisselle et contactez le service client Samsung au 1-800-SAMSUNG (726-7864).
- Si l'appareil n'est pas endommagé, vous pouvez procéder à l'installation. Si vous effectuez vous-même l'installation, lisez d'abord le guide d'installation et suivez les instructions qui y figurent.
- Après déballage du lave-vaisselle, maintenez les emballages hors de portée des enfants pour des raisons de sécurité.





## Contrôle du contenu

Une fois votre lave-vaisselle déballé, assurez-vous que vous avez reçu toutes les pièces illustrées ci-dessous. Si votre lave-vaisselle a été endommagé lors du transport ou si des pièces sont manquantes, contactez le service client Samsung au 1-800-SAMSUNG (726-7864).



01 Système de verrouillage

02 Panier supérieur

03 Gicleur supérieur

04 Panier à couverts

05 Panier inférieur

06 Bras du gicleur inférieur

07 Réservoir de produit de rinçage

08 Grille pour tasses et/ou verres

### REMARQUE

- Accessoires : Manuel d'utilisation/d'installation, Kit d'installation.
- En fonction des modèles, les pièces réelles peuvent avoir un aspect différent par rapport aux illustrations.



# Installation du lave-vaisselle

## Conditions indispensables à l'installation

### Alimentation électrique et mise à la terre

#### **AVERTISSEMENT**

Afin d'éviter tout risque d'incendie, de choc électrique ou de blessure, le câblage et la mise à la terre doivent être conformes au National Electrical Code (Code national sur les installations électriques) ANSI/FNPA, N°70 (dernière édition) et aux directives et règlements locaux en vigueur. Il relève de la responsabilité du propriétaire de l'appareil de fournir une installation électrique conforme.

#### **ATTENTION**

- N'utilisez jamais de rallonge.
- Pendant la phase de préparation de l'installation, assurez-vous de fournir :
  - Un circuit de dérivation individuel avec un fusible ou un disjoncteur de 120 V, 60 Hz et 15 A qui sert uniquement pour votre lave-vaisselle.
- Votre lave-vaisselle doit être mis à la terre. En cas de dysfonctionnement ou de panne, la mise à la terre permet de réduire le risque d'électrocution en créant un chemin de moindre résistance pour le courant électrique.

#### **AVERTISSEMENT**

Ne branchez jamais le câble de mise à la terre sur des canalisations ou des conduites de gaz ou d'eau chaude en plastique.





---

## Alimentation en eau

La pression de l'arrivée d'eau chaude doit se situer entre 20 et 120 psi (140 et 830 kPa). Réglez le chauffe-eau de façon à ce que l'eau chaude se situe entre 120 °F (49 °C) et 149 °F (65 °C).

### REMARQUE

- La plupart des magasins spécialisés en matériel de plomberie proposent des tuyaux d'arrivée d'eau pouvant aller jusqu'à 10 pieds (305 cm) de long.
- Pour limiter les risques de fuite et de dégât des eaux :
  - Faites en sorte que les robinets soient facilement accessibles.
  - Fermez les robinets lorsque le lave-vaisselle n'est pas utilisé.
  - Vérifiez régulièrement les raccords des tuyaux d'arrivée d'eau à la recherche de fuites éventuelles.

### AVERTISSEMENT

Avant la première utilisation du lave-vaisselle, contrôlez le bon état de tous les raccordements au niveau de la vanne d'arrivée d'eau et des robinets à la recherche de fuites éventuelles.

### Sol

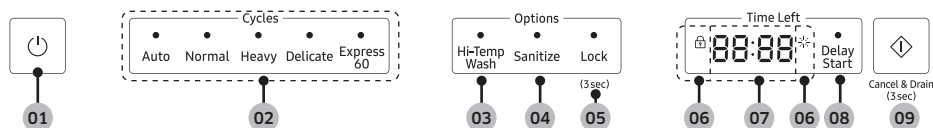
Pour des raisons de sécurité, votre lave-vaisselle doit être installé sur un sol stable et solide. N'installez jamais votre appareil sur une plateforme ou une structure fragile.

Il doit être installé conformément au manuel d'installation avant de pouvoir être utilisé. Si le manuel d'installation n'a pas été fourni avec le lave-vaisselle, faites-en la demande en vous connectant sur le site [www.samsung.com](http://www.samsung.com).



# Installation du lave-vaisselle

## Tableau de commande



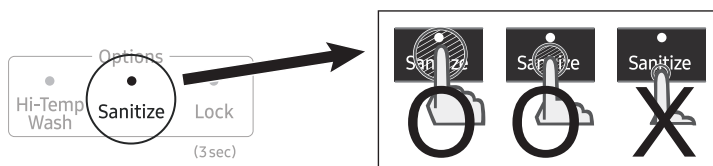
Installation du lave-vaisselle

<b>01 MARCHÉ/ARRÊT</b>	Lorsque vous appuyez sur le bouton <b>MARCHÉ/ARRÊT</b> , l'écran entier s'allume et s'éteint. Lorsque le sélecteur de programme a terminé sa course, le lave-vaisselle s'éteint automatiquement.
<b>02 Cycles (Programmes)</b>	Cette option vous permet de sélectionner le programme de lavage approprié en fonction du degré de salissure de votre vaisselle.
<b>03 Hi-Temp Wash (Lavage à haute température)</b>	Augmente la température de lavage principale pour améliorer le nettoyage de la vaisselle salie par des résidus de cuisson tenaces. <b>REMARQUE</b> L'option <b>Hi-Temp Wash (Lavage à haute température)</b> n'est pas disponible avec les programmes <b>Delicate (Délicat)</b> et <b>Express 60</b> .
<b>04 Sanitize (Assainissement)</b>	La température monte à 156 °F (69 °C) lors de la phase de rinçage finale pour une désinfection à haute température. Si vous sélectionnez l'option <b>Sanitize (Assainissement)</b> , le voyant « <b>Sanitize (Assainissement)</b> » clignote lorsque la température de l'eau atteint la température de désinfection (supérieure à 156 °F (69 °C)) puis reste allumé jusqu'à la fin de l'option <b>Sanitize (Assainissement)</b> . Lorsque vous appuyez sur le bouton <b>MARCHÉ/ARRÊT</b> , le voyant « <b>Sanitize (Assainissement)</b> » s'éteint. <b>REMARQUE</b> <ul style="list-style-type: none"> <li>Lorsque l'option <b>Sanitize (Assainissement)</b> est sélectionnée, le programme <b>Normal</b> est certifié NSF.</li> <li>La fonction <b>Sanitize (Assainissement)</b> est conforme à la norme <b>184 NSF/ANSI</b> relative aux lave-vaisselle domestiques. Les lave-vaisselle domestiques certifiés ne sont pas conçus pour une utilisation dans des établissements de restauration sous licence.</li> </ul>
<b>05 Control Lock (3 sec) (Verrouillage du tableau de commande) (3 s)</b>	L'option Verrouillage du tableau de commande vous permet de verrouiller les boutons du panneau de commande afin que les enfants ne puissent pas démarrer accidentellement le lave-vaisselle en appuyant sur les boutons du tableau de commande. Pour activer l'option Verrouillage du tableau de commande, appuyez sur le bouton <b>Control Lock (Verrouillage du tableau de commande)</b> pendant trois (3) secondes. Pour désactiver l'option Verrouillage du tableau de commande, appuyez à nouveau sur le bouton <b>Control Lock (Verrouillage du tableau de commande)</b> pendant trois (3) secondes.

06 Indication	<p>☀ <b>Remplissage de produit de rinçage</b></p> <ul style="list-style-type: none"> <li>Si le voyant « Remplissage de produit de rinçage » est allumé, cela signifie que le lave-vaisselle a un niveau faible de produit de rinçage et que le réservoir doit être rempli.</li> </ul> <p>🕒 <b>Delay Start (Départ différé)</b></p> <ul style="list-style-type: none"> <li>Si l'indication « Delay Start (Départ différé) » apparaît, cela signifie que vous avez sélectionné l'option « Delay Start (Départ différé) ».</li> </ul>
07 Fenêtre d'affichage	Permet d'afficher la durée de fonctionnement, les heures de la fonction Delay Start (Départ différé) et les codes d'information. Lorsqu'un problème survient pendant le fonctionnement, un message de contrôle s'affiche et un signal sonore retentit.
08 Delay Start (Départ différé)	Permet de différer le démarrage d'un programme jusqu'à 24 heures (par incréments d'une heure). L'heure affichée indique l'heure à laquelle le lavage commencera.
09 DÉPART	<p>Pour démarrer un programme, appuyez sur le bouton <b>DÉPART</b> avant de fermer la porte.</p> <p>* Reset (Réinitialiser) : Pour annuler un programme actuellement en cours et vidanger le lave-vaisselle, maintenez le bouton <b>DÉPART</b> enfoncé pendant trois (3) secondes. Après la réinitialisation du lave-vaisselle, sélectionnez un programme et une option, puis appuyez sur <b>DÉPART</b> pour redémarrer le lave-vaisselle.</p>

### REMARQUE

- Vous pouvez sélectionner des options (**Hi-Temp Wash (Lavage à haute température)**, **Sanitize (Assainissement)**) avant de commencer un programme. Si vous changez le programme après avoir sélectionné une option, le programme d'origine est remis à zéro.
- Lorsque vous mettez un programme en pause en ouvrant la porte du lave-vaisselle pendant qu'il est en marche, appuyez sur le bouton **DÉPART** avant de refermer la porte pour poursuivre le programme.
  - Fermez la porte en la poussant fermement dans les 3 secondes qui suivent l'actionnement du bouton **DÉPART**.
  - Si la porte n'a pas été fermée dans les 3 secondes, le programme ne reprend pas.
- Pour éviter que le pavé tactile ne perde de la sensibilité, suivez ces instructions :
  - Effleurez le centre de chaque touche. Ne poussez pas.
  - Nettoyez régulièrement la surface du tableau de commande avec un chiffon doux et humide.
  - Sauf indication contraire, veillez à ne pas appuyer sur plus d'un bouton à la fois.

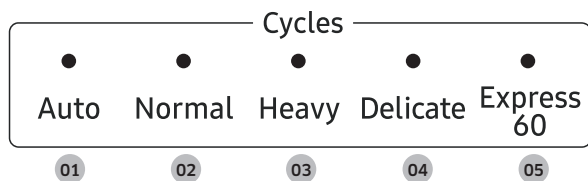


### IMPORTANT

Afin de pouvoir tirer le meilleur parti de votre lave-vaisselle, lisez toutes les instructions d'utilisation avant d'utiliser l'appareil pour la première fois.

# Installation du lave-vaisselle

## Présentation des programmes



01 Auto (Automatique)	Ce programme détecte le degré de salissure de la vaisselle et lance automatiquement le programme le mieux adapté.
02 Normal	Pour la vaisselle normalement sale, telle que les casseroles, les assiettes, les verres et les poêles légèrement sales. Programme quotidien standard.
03 Heavy (Intense)	Sélectionnez ce programme pour la vaisselle très sale.
04 Delicate (Délicat)	Sélectionnez ce programme pour les objets fragiles et légèrement sales, comme les verres. L'option Sanitize (Assainissement) n'est pas disponible avec ce programme.
05 Express 60	Éléments d'utilisation quotidienne normalement sales, avec une durée de programme courte. L'option Sanitize (Assainissement) n'est pas disponible avec ce programme.

# Utilisation du lave-vaisselle

## Instructions de base

1. Ouvrez la porte de l'appareil et chargez la vaisselle (reportez-vous aux pages 18 à 19).
  - Répartissez la vaisselle dans les paniers supérieur et inférieur.
  - Éliminez tout reste de nourriture avant de placer la vaisselle dans le ou les paniers.
  - Une fois la vaisselle en place dans les paniers, faites tourner les gicleurs manuellement pour vérifier qu'aucun obstacle ne se trouve dans leur axe de rotation.
  - Assurez-vous que la vaisselle n'empêche pas le réservoir du produit de lavage de s'ouvrir.
2. Versez du produit de lavage dans le réservoir (reportez-vous en page 21).
  - Assurez-vous d'utiliser uniquement un produit de lavage et un produit de rinçage spécial lave-vaisselle.
  - Reportez-vous à la section « Utilisation du produit de lavage » en page 21 pour connaître les instructions concernant l'ajout de produit de lavage et de produit de rinçage.
3. Appuyez sur le bouton **MARCHE/ARRÊT**.
  - Lorsque vous appuyez sur le bouton **MARCHE/ARRÊT**, l'écran entier s'allume, puis seul le voyant du dernier cycle terminé s'allume.
  - Si le voyant « Remplissage de produit de rinçage » (☼) est allumé, cela signifie que vous devez remplir le réservoir de produit de rinçage afin d'optimiser les opérations de lavage et de séchage.
4. Sélectionnez un programme de lavage approprié en fonction du degré de salissure de votre vaisselle. (Reportez-vous aux pages 14 et 29.)
  - Appuyez sur le bouton **Cycles (Programmes)** approprié.
  - Lorsque vous appuyez sur l'un des boutons **Cycles (Programmes)**, le voyant du programme correspondant s'allume.
5. Appuyez sur le bouton **DÉPART** et fermez la porte dans les 3 secondes qui suivent.
  - Le lave-vaisselle démarre la vidange après quelques secondes, puis lance le programme sélectionné.
  - Assurez-vous de fermer correctement la porte. Si la porte est mal fermée, le programme sélectionné ne démarre pas automatiquement.
6. À la fin du programme de lavage :
  - Le voyant correspondant s'allume et un signal sonore retentit.
  - Le lave-vaisselle s'éteint automatiquement.

### ⚠ ATTENTION

- Pour rajouter de la vaisselle ou mettre l'appareil en pause en cours de programme, ouvrez la porte doucement afin d'éviter tout risque de brûlure en raison des vapeurs brûlantes s'échappant du lave-vaisselle.
- Si la porte est ouverte en cours de fonctionnement, un mécanisme de sécurité s'enclenche et arrête le programme.
- Pour reprendre le fonctionnement, appuyez sur le bouton **DÉPART** puis fermez la porte dans les 3 secondes qui suivent.
- Ajouter de la vaisselle quelques minutes après que le lave-vaisselle a démarré peut altérer les performances.
- Si vous ouvrez la porte alors que le lave-vaisselle est en marche à haute température, il vidange automatiquement l'eau chaude afin de vous empêcher de vous brûler.



# Utilisation du lave-vaisselle

## REMARQUE

- Utilisez du produit de rinçage pour obtenir des performances de séchage optimales. Pour améliorer davantage les performances de séchage, vous pouvez également sélectionner l'option **Sanitize (Assainissement)**.
- Ouvrez la porte du lave-vaisselle et patientez quelques minutes avant de retirer la vaisselle. La vaisselle sera ainsi moins chaude et plus sèche.

## Commandes tactiles

Les commandes tactiles vous permettent d'utiliser facilement le lave-vaisselle.

- Une pression légère suffit à activer la fonction.
- Leur conception est simple et élégante.
- Elles sont faciles à nettoyer.

## REMARQUE

Si vous avez des enfants ou si vous souhaitez nettoyer l'interface de commande, il est conseillé de sélectionner la fonction **Control Lock (Verrouillage du tableau de commande)** qui permet de désactiver les touches. Reportez-vous en page 12.

- Grâce à cette option, les enfants ne pourront pas démarrer le lave-vaisselle par inadvertance.
- Lorsqu'un programme est en cours, les touches ne fonctionnent pas (sauf le bouton **MARCHE/ARRÊT**).
- Si le lave-vaisselle est éteint, seul le bouton **MARCHE/ARRÊT** fonctionne.

## Départ différé

Lorsque vous sélectionnez l'option **Delay Start (Départ différé)**, votre lave-vaisselle démarrera le programme sélectionné une fois la durée de départ différé écoulée.

## AVERTISSEMENT

- Répartissez la vaisselle de manière appropriée comme décrit aux pages 18 à 20.
  - Retirez tout reste de nourriture (ex. : os, pépins, etc.) ou tout autre déchet (cure-dents, papier, etc.) afin d'éviter d'endommager la vaisselle, de rendre le fonctionnement de l'appareil bruyant ou de provoquer un dysfonctionnement.
  - Sélectionnez le programme en fonction du degré de salissure et du type de vaisselle.
  - Utilisez uniquement la quantité appropriée de produits de lavage et de rinçage.
- Les éléments suivants ne sont pas résistants au lave-vaisselle :
  - **Objets en acrylique ou en aluminium** : les ornements dorés de certains plats risquent de se décolorer.
  - **Objets assemblés par collage** : les éléments en plastique traité, en bois, en ivoire, en cuivre ou en étain risquent de se détacher.
  - **Objets en plastique ne tolérant pas des températures supérieures à 194 °F (90 °C)** : les plastiques fins se lavent et se séchent difficilement et risquent d'être endommagés en raison des températures de lavage élevées.
  - **Étain** : l'étain doit être lavé à la main et séché immédiatement car il risque de rouiller.
  - **Objets en bois** : les objets en bois risquent de se fendre.



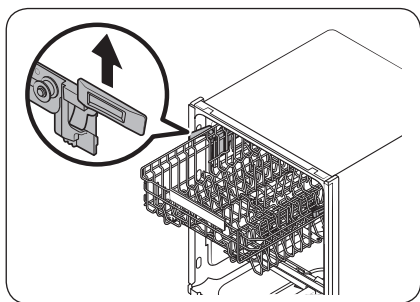


## Réglage de la hauteur du panier supérieur

Vous pouvez régler la hauteur du panier supérieur de manière à pouvoir placer des plats de plus grande taille dans le panier inférieur. Selon la hauteur du panier supérieur, le panier inférieur peut accueillir des assiettes allant jusqu'à 29 cm de diamètre et, le panier supérieur, des assiettes allant jusqu'à 18 cm de diamètre.

### ⚠ ATTENTION

- Réglez la hauteur du panier supérieur avant d'y charger la vaisselle. Autrement, vous risquez d'endommager cette dernière.
- Assurez-vous de tenir les deux poignées pendant le réglage, autrement, la porte du lave-vaisselle risque de ne pas se fermer correctement.



- Pour relever le panier supérieur, tirez-le vers le haut. La poignée réglable se bloque et le panier supérieur se relève.
- Pour abaisser le panier supérieur, tenez les deux poignées réglables situées sur les côtés du panier supérieur, puis appuyez de façon uniforme.

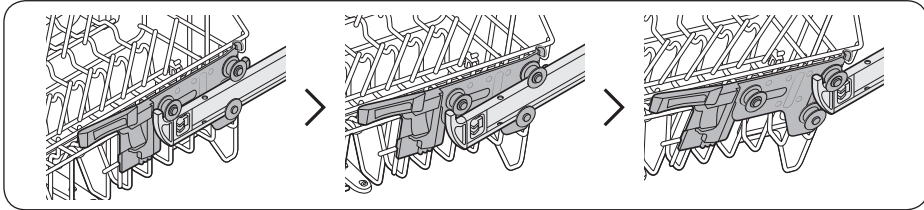
# Utilisation du lave-vaisselle

## Retrait du panier supérieur

Tirez le panier supérieur vers l'avant jusqu'en butée, puis soulevez-le délicatement pour le retirer. Reportez-vous aux illustrations suivantes.

### ⚠ ATTENTION

Bien que le panier supérieur soit amovible, il doit être installé pour que le lave-vaisselle fonctionne correctement. Si vous tentez de faire fonctionner l'appareil sans le panier, il sera bruyant et ne fonctionnera pas correctement.

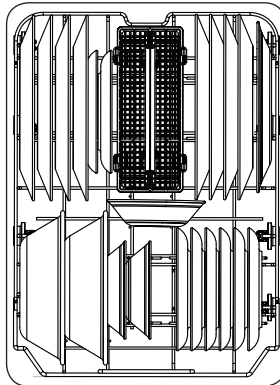


## Chargement du panier inférieur

Le panier inférieur a été spécialement conçu pour accueillir la vaisselle de table, les bols, les assiettes, les casseroles, les couvercles, les cocottes et les plats.

Chargez les objets volumineux (poêles, casseroles) face intérieure tournée vers le bas. Il est conseillé de charger les tasses, les verres à pied et les soucoupes dans le panier supérieur.

Reportez-vous aux modèles de chargement conseillés ci-dessous.



8 couverts

---

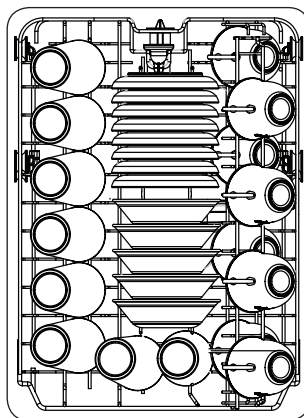
## Chargement du panier supérieur

---

Le panier supérieur est conçu pour accueillir les soucoupes, les tasses, les verres et les objets en plastique portant la mention « lavable au lave-vaisselle ». Placez vos assiettes dans le lave-vaisselle sur deux demi-rangées, de sorte que le dessus de chaque assiette soit face au-dessous de l'assiette de devant et que les côtés ouverts des assiettes soient au centre du lave-vaisselle, face à face. Voir les illustrations ci-dessous.

Assurez-vous que la vaisselle n'empêche pas le gicleur situé sous le panier supérieur de tourner (Vérifiez en faisant tourner le gicleur manuellement.)

Lorsque vous chargez la vaisselle, tirez suffisamment le panier supérieur de façon à pouvoir le remplir sans heurter le haut du lave-vaisselle.



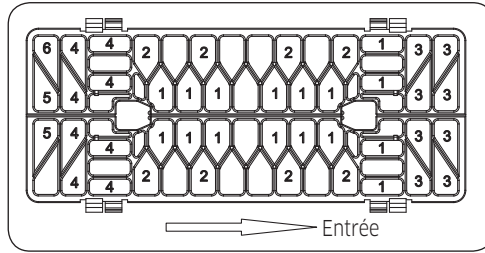
8 couverts

# Utilisation du lave-vaisselle

## Utilisation du panier à couverts

Vous pouvez placer chaque couteau, cuillère ou fourchette séparément dans le support à couverts du panier pour éviter tout écaillage ou décoloration.

Vous pouvez utiliser le panier à couverts avec le couvercle ouvert.

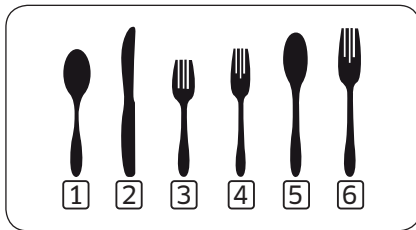


8 couverts

Suggestion de disposition des couverts dans le panier (vue de dessus). À chaque couvert correspond un numéro (consultez le schéma ci-dessous).

### REMARQUE

NE laissez JAMAIS un couvert dépasser par le bas.



1. Cuillères
2. Couteaux
3. Fourchettes à salade
4. Fourchettes
5. Grandes cuillères
6. Grandes fourchettes

## Utilisation du produit de lavage

Tous les programmes du lave-vaisselle nécessitent la présence de produit de lavage dans le compartiment dédié.

Ajoutez la quantité correcte de produit de lavage pour le programme sélectionné afin d'assurer la meilleure performance.

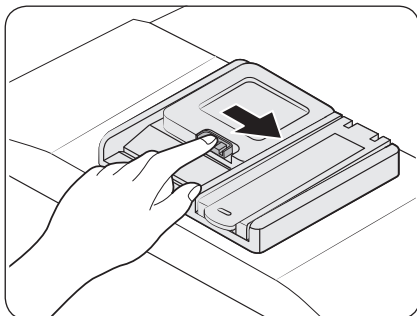
### ⚠ ATTENTION

Utilisez uniquement du produit de lavage pour lave-vaisselle. Le produit de lavage ordinaire produit trop de mousse, ce qui diminue les performances du lave-vaisselle ou provoque son dysfonctionnement.

### ⚠ AVERTISSEMENT

- N'ingérez pas de produit de lavage pour lave-vaisselle. Évitez de respirer dans les vapeurs. Le produit de lavage pour lave-vaisselle contient des produits chimiques corrosifs et irritants qui peuvent induire les problèmes respiratoires. Si vous avez avalé du produit de lavage ou si vous avez inhalé des vapeurs, consultez immédiatement un médecin.
- Maintenez le produit de lavage pour lave-vaisselle hors de la portée des enfants.

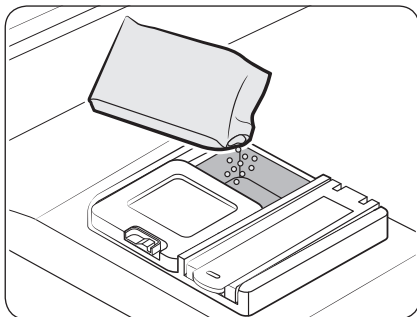
### Remplissage du réservoir de produit de lavage



1. Ouvrez le couvercle du réservoir de produit de lavage en poussant le loquet de libération du réservoir.

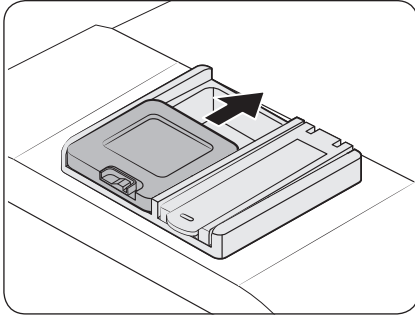
### 📖 REMARQUE

Le couvercle est toujours ouvert à la fin d'un programme de lavage.



2. Ajoutez la quantité recommandée de produit dans le compartiment principal de produit de lavage.

## Utilisation du lave-vaisselle



3. Fermez le couvercle en le faisant glisser puis en le pressant vers le bas.

### REMARQUE

- Il n'existe aucun bouton séparé pour définir le réservoir pour les produits de lavage en tablettes.
- Pour un meilleur résultat de lavage, notamment si vous avez des éléments très sales, ajoutez une petite quantité (environ 0,3 oz ou 8 g) de produit de lavage sur la porte avant de la fermer. Il s'activera pendant la phase de pré-lavage.

Le couvercle s'ouvrira automatiquement pour déverser le produit dans la machine au cours du lavage.

Programme	Quantité de produit de lavage	
	Réservoir de lavage principal	Dans la porte pour le pré-lavage
Auto (Automatique), Normal	3/4 oz (20 g)	1/3 oz (10 g)
Heavy (Intense), Express 60	1 oz (30 g)	1/2 oz (15 g)

### REMARQUE

Les chiffres figurant sur le réservoir sont en grammes.

## Utilisation du produit de rinçage

### Remplissage du réservoir de produit de rinçage

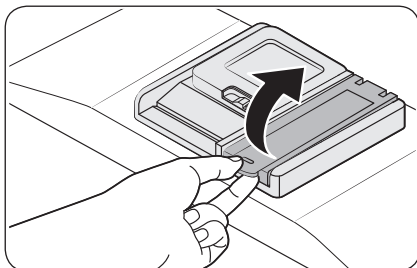
Lorsque le voyant Remplissage de produit de rinçage s'allume sur le tableau de commande, remplissez le réservoir de produit de rinçage.

Votre lave-vaisselle est conçu pour être utilisé uniquement avec du produit de rinçage liquide.

Utiliser du produit de rinçage en poudre entraînera le colmatage de l'ouverture du réservoir et provoquera le dysfonctionnement du lave-vaisselle. Le produit de rinçage améliore la performance de séchage du lave-vaisselle.

#### ⚠ ATTENTION

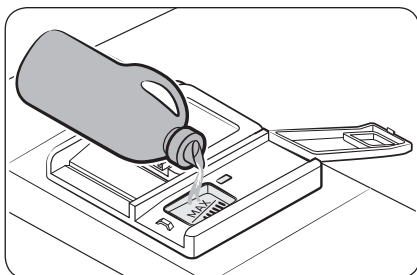
N'ajoutez pas de produit de lavage classique dans le réservoir de produit de rinçage.



1. Ouvrez le bouchon du réservoir de produit de rinçage en levant la poignée.

#### 📖 REMARQUE

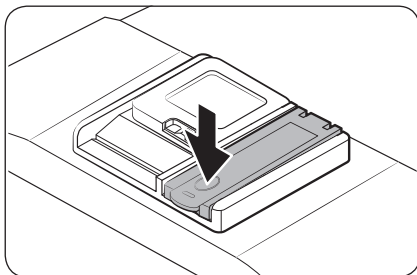
Utilisez du produit de rinçage en plus des produits de lavage en tablettes pour améliorer les performances de séchage.



2. Remplissez le réservoir avec du produit de rinçage.

#### ⚠ ATTENTION

Ne remplissez pas le réservoir au-dessus du niveau maximal. Un excès de produit de rinçage peut déborder au cours du programme de lavage.



3. Refermez le bouchon.



# Utilisation du lave-vaisselle

## Mode Réglage

Vous pouvez modifier à votre guise les réglages du son, de la fonction d'ouverture automatique de la porte et du niveau de produit de rinçage.

### Activation du mode Réglage

1. Mettez le lave-vaisselle sous tension.
2. Appuyez sur le bouton du programme **Auto (Automatique)** pendant cinq secondes, dans les 60 secondes suivant la mise sous tension du lave-vaisselle.
  - Une fois le mode Réglage activé, l'écran affiche « 0:00 ».

### Réglage du son

Vous pouvez activer ou désactiver le son.

1. Appuyez sur le bouton **Hi Temp (Haute température)** pour sélectionner le menu de réglage du son.
  - L'écran affiche le réglage actuel. (Réglage par défaut : « U1 »)
2. Appuyez sur le bouton du programme **Auto (Automatique)** pour modifier le réglage.
  - U0 : son désactivé
  - U1 : son activé
3. Attendez 5 secondes pour enregistrer le réglage.

### Réglage de la fonction d'ouverture automatique de la porte

Vous pouvez régler le lave-vaisselle de manière à ce que la porte s'ouvre automatiquement à la fin de chaque programme, afin d'améliorer les résultats de séchage.

1. Appuyez sur le bouton **Sanitize (Assainissement)** pour sélectionner le menu de réglage de la fonction d'ouverture automatique de la porte.
  - L'écran affiche le réglage actuel. (Réglage par défaut : « A1 »)
2. Appuyez sur le bouton du programme **Auto (Automatique)** pour modifier le réglage.
  - A0 : fonction désactivée
  - A1 : fonction activée
3. Attendez 5 secondes pour enregistrer le réglage.

### Réglage du niveau de produit de rinçage

Vous pouvez modifier la quantité de produit de rinçage qui est appliquée pendant un programme.

1. Appuyez sur le bouton **Express 60** pour sélectionner le menu de réglage du niveau de produit de rinçage.
  - L'écran affiche le réglage actuel. (Réglage par défaut : « d4 »)
2. Appuyez sur le bouton du programme **Auto (Automatique)** pour modifier le réglage.
  - Les options disponibles pour sélection vont de d1 (minimum) à d5 (maximum).
3. Attendez 5 secondes pour enregistrer le réglage.





# Nettoyage et entretien

## Nettoyage

Garder votre lave-vaisselle propre permet d'améliorer ses performances, de limiter les réparations et d'allonger sa durée de vie.

### Partie externe

Nettoyez immédiatement les éclaboussures sur la surface du lave-vaisselle. Pour retirer délicatement les taches et la poussière du tableau de commande, utilisez un chiffon doux et humide.

#### ⚠ ATTENTION

- N'utilisez jamais de benzène, de cire, de diluant, d'agent de blanchiment chloré, d'alcool ou d'autres substances chimiques. Ces substances risquent de décolorer la surface du lave-vaisselle et de former des taches permanentes.
- La partie interne du lave-vaisselle est dotée de composants électriques. Ne pulvérisez pas d'eau directement sur le lave-vaisselle. Protégez les composants électriques de l'eau.
- Pour le panneau de la porte en acier inoxydable, utilisez nettoyeur spécial acier inoxydable pour appareils ménagers et un chiffon doux et propre.

### Partie interne

Nettoyez régulièrement la partie interne du lave-vaisselle afin d'en retirer les saletés et les résidus alimentaires. Essuyez la partie interne du lave-vaisselle et de la porte à l'aide d'un chiffon humide.

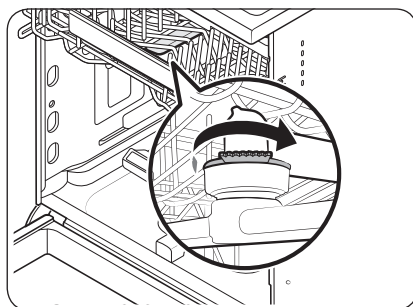
#### ⚠ ATTENTION

- Ne retirez pas la garniture d'étanchéité (long joint en caoutchouc entourant l'ouverture du lave-vaisselle). Elle assure l'étanchéité de la partie interne du lave-vaisselle.
- Utilisez un chiffon mouillé pour éliminer les dépôts de graisse ou de calcaire à l'intérieur du lave-vaisselle. Sinon, ajoutez du produit de lavage et lancez un programme à vide avec la température de rinçage la plus élevée.

### Gicleurs

Pour éviter que les gicleurs ne se bouchent ou si ces derniers sont bouchés, retirez et nettoyez chaque gicleur. Retirez-les délicatement pour ne pas les casser.

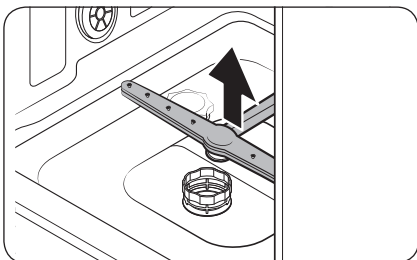
#### Gicleur supérieur



1. Ouvrez la porte et tirez le panier supérieur pour le retirer et accéder au gicleur supérieur.
2. Desserrez et retirez l'écrou, puis enlevez le gicleur.
3. Débouchez et nettoyez le gicleur.
4. Réinsérez le gicleur puis serrez l'écrou à la main.
5. Tournez le gicleur à la main pour vérifier qu'il s'engage correctement.

# Nettoyage et entretien

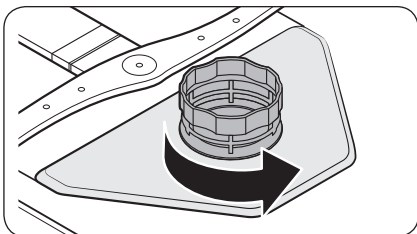
## Gicleur inférieur



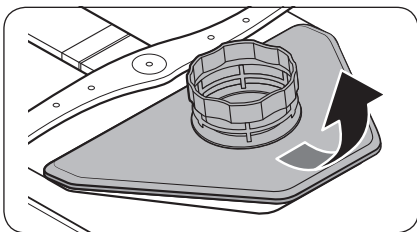
1. Ouvrez la porte et tirez le panier inférieur pour le retirer. Le gicleur inférieur est visible au fond.
2. Débouchez et nettoyez le gicleur.
3. Réinsérez le gicleur.
4. Tournez le gicleur à la main pour vérifier qu'il s'engage correctement.

## Filtre

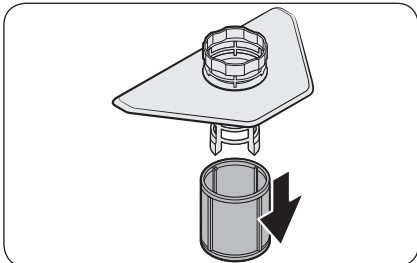
Nous vous recommandons de nettoyer le filtre tous les mois.



1. Ouvrez la porte et retirez d'abord le panier inférieur.
2. Tournez la poignée du filtre dans le sens antihoraire pour déverrouiller le pré-filtre.



3. Retirez le pré-filtre, puis le microfiltre cylindrique en-dessous.





---

## Nettoyage de la porte

---

Pour nettoyer l'arête autour de la porte, vous devez utiliser uniquement un chiffon doux humidifié avec de l'eau tiède.

En outre, n'utilisez jamais de nettoyeurs abrasifs ou de tampons à récurer sur les surfaces extérieures. Vous risqueriez de rayer la finition. Certaines serviettes en papier peuvent également rayer ou laisser des marques sur la surface.

### **AVERTISSEMENT**

N'utilisez jamais un produit de nettoyage à pulvérisateur pour nettoyer le panneau de la porte. Vous risqueriez d'endommager le verrouillage de la porte et les composants électriques. N'utilisez pas de produit de nettoyage abrasif ou des serviettes en papier pour nettoyer la porte. Vous risquez de rayer la porte ou de faire des traces sur la surface en acier inoxydable.

---

## Entretien de votre lave-vaisselle

---

Pour nettoyer le tableau de commande, utilisez un chiffon légèrement humide puis séchez-le minutieusement. Pour nettoyer l'extérieur, utilisez une bonne cire à polir pour appareils électroménagers.

N'utilisez jamais d'objets pointus, de tampons à récurer ou de nettoyeurs agressifs sur aucune partie du lave-vaisselle.

---

## Entretien sur le long terme

---

Si vous prévoyez de ne pas utiliser le lave-vaisselle pendant une période prolongée, vidangez d'abord complètement l'appareil puis débranchez le tuyau d'eau. Coupez le robinet d'arrivée d'eau et le disjoncteur. L'eau restante contenue dans les tuyaux ou dans les composants internes peut endommager le lave-vaisselle.



# Nettoyage et entretien

## Protection contre le gel

Si votre lave-vaisselle est laissé dans un emplacement non chauffé durant l'hiver :

1. Coupez l'arrivée d'électricité au lave-vaisselle.
2. Coupez l'alimentation en eau et débranchez le tuyau d'entrée d'eau à la vanne d'arrivée d'eau.
3. Vidangez l'eau du tuyau d'entrée et de la vanne d'arrivée d'eau. (Utilisez une cuvette pour récupérer l'eau.)
4. Rebranchez le tuyau d'entrée d'eau à la vanne d'arrivée d'eau.
5. Retirez le filtre au fond de la cuve et utilisez une éponge pour absorber l'eau.

## Entretien de votre lave-vaisselle

### Après chaque lavage

- Après chaque lavage, coupez l'arrivée d'eau à l'appareil et laissez la porte légèrement entrebâillée afin que l'humidité et les odeurs ne restent pas prisonnières à l'intérieur.

### Débrancher le cordon d'alimentation

- Avant de nettoyer l'appareil ou d'effectuer un entretien, débranchez toujours le cordon d'alimentation de la prise murale.

### Aucun solvant ni produit de nettoyage abrasif

- Pour nettoyer la partie externe et les pièces en caoutchouc du lave-vaisselle, n'utilisez aucun solvant ni produit de nettoyage abrasif. Utilisez uniquement un chiffon et de l'eau savonneuse tiède. Pour retirer les traces ou les taches sur la surface intérieure, utilisez un chiffon humidifié avec de l'eau et un peu de vinaigre blanc, ou un produit de nettoyage spécifiquement conçu pour les lave-vaisselle.

### Lorsque vous partez en vacances

- Lorsque vous partez en vacances, nous vous recommandons de lancer un programme de lavage avec le lave-vaisselle vide, puis de débrancher le cordon d'alimentation, de couper l'arrivée d'eau et de laisser la porte de l'appareil légèrement entrebâillée. Cela préservera les joints plus longtemps et évitera que des odeurs ne se développent dans l'appareil.

### Déplacement de l'appareil

- Si l'appareil doit être déplacé, essayez de le maintenir en position verticale. Si cela s'avère absolument nécessaire, il peut être positionné sur sa face arrière.

### Joints

- Les aliments piégés dans les joints constituent l'un des facteurs à l'origine de la formation de mauvaises odeurs dans le lave-vaisselle. Un nettoyage périodique avec une éponge humide évitera ce phénomène.

# Programmes

## Tableau des programmes


Programme		Auto (Automatique)	Normal	Heavy (Intense)	Delicate (Délicat)	Express 60
Ordre d'affichage des programmes		Prélavage ► Lavage principal ► Rinçage ► Rinçage à chaud ► Séchage ► Fin				
Temp [°F (°C)]	Lavage principal	131 à 140 (55 à 60)	113 à 140 (45 à 60)	149 (65)	122 (50)	140 (60)
	Rinçage à chaud *Sanitize (Assainissement) 156 °F (69 °C)	126 (52)	126 (52)	131 (55)	122 (50)	122 (50)
Consommation d'eau [gal (ℓ)]		2,4 à 4,7 (9 à 17,7)	2,4 à 4,7 (9 à 17,7)	4,7 (17,7)	4,2 (15,9)	3,4 (12,8)
Durée du programme (min)		123 à 154	118 à 149	157	116	60

- Lorsque vous sélectionnez le programme **Auto (Automatique)** ou **Normal**, vous pouvez éliminer les étapes facultatives selon le degré de salissure de la vaisselle.
- La consommation d'eau et le temps de lavage varient en fonction des étapes et options que vous ajoutez et de la pression et de la température de l'alimentation en eau.
- Lorsque vous sélectionnez l'une des options, le temps de programme peut être modifié.
- Lorsque le réservoir de produit de rinçage est vide, le temps de lavage et la température du dernier rinçage augmentent.
- Lorsque vous sélectionnez l'option **Sanitize (Assainissement)**, un programme de séchage sera ajouté avant la fin du programme.

# Dépannage

Consultez cette rubrique si vous rencontrez l'un des problèmes suivants.

Problème	Cause possible	Solution
L'appareil ne démarre pas.	La porte n'est pas correctement fermée.	<ul style="list-style-type: none"><li>• Vérifiez si le loquet de la porte est bien enclenché et si la porte est correctement fermée.</li></ul>
	Aucun programme n'est sélectionné.	<ul style="list-style-type: none"><li>• Sélectionnez un programme adapté.</li></ul>
	Le câble d'alimentation n'est pas branché.	<ul style="list-style-type: none"><li>• Branchez correctement le câble d'alimentation.</li></ul>
	L'arrivée d'eau ne fonctionne pas.	<ul style="list-style-type: none"><li>• Vérifiez si la vanne d'alimentation en eau est ouverte.</li></ul>
	Le tableau de commande est verrouillé.	<ul style="list-style-type: none"><li>• Désactivez la fonction Verrouillage du tableau de commande. (Reportez-vous en page 12)</li></ul>
	Un disjoncteur est ouvert.	<ul style="list-style-type: none"><li>• Réarmez le disjoncteur.</li></ul>
La durée d'une opération ou d'un programme est trop longue.	L'eau qui arrive est froide.	<ul style="list-style-type: none"><li>• Vérifiez que le circuit d'alimentation en eau est connecté au réseau d'eau chaude. (Chauffer de l'eau froide nécessite plus de temps.)</li></ul>
Il reste des particules d'aliments sur la vaisselle. (Le lavage ne s'effectue pas correctement.)	Vous avez sélectionné un programme non adapté.	<ul style="list-style-type: none"><li>• Sélectionnez un programme en fonction du degré de salissure de la vaisselle, comme indiqué dans ce manuel.</li></ul>
	La température de l'eau est trop basse.	<ul style="list-style-type: none"><li>• Raccordez le tuyau d'arrivée d'eau au réseau d'eau chaude.</li><li>• Pour un résultat optimal, la température de l'eau doit être de 120 °F (49 °C).</li></ul>
	La pression de l'eau est faible.	<ul style="list-style-type: none"><li>• La pression de l'eau doit être comprise entre 20 et 120 psi (140 et 830 kPa).</li></ul>
	Aucun produit de lavage pour lave-vaisselle n'a été ajouté.	<ul style="list-style-type: none"><li>• Ajoutez un produit de lavage spécial lave-vaisselle.</li><li>• Nous recommandons l'utilisation d'un produit de lavage en poudre ou en gel.</li></ul>

Problème	Cause possible	Solution
Il reste des particules d'aliments sur la vaisselle. (Le lavage ne s'effectue pas correctement.)	Il reste du produit de lavage dans le réservoir. 	<ul style="list-style-type: none"> <li>Assurez-vous qu'aucun élément de grande taille, comme des plaques de cuisson, des planches à découper, des récipients, etc. ne bloque le réservoir de produit de lavage et l'empêche de s'ouvrir correctement.</li> <li>Réorganisez la vaisselle de manière à ce qu'elle n'entrave pas le fonctionnement du réservoir de produit de lavage.</li> </ul>
	Aucun produit de rinçage n'a été ajouté.	<ul style="list-style-type: none"> <li>Vérifiez le réservoir et ajoutez du produit de rinçage au besoin.</li> <li>Utilisez un produit de rinçage sous forme liquide.</li> </ul>
	Un gicleur est bouché.	<ul style="list-style-type: none"> <li>Nettoyez le gicleur. Reportez-vous en page 25.</li> </ul>
	La vaisselle n'est pas correctement répartie. L'appareil est surchargé.	<ul style="list-style-type: none"> <li>Réorganisez la vaisselle de manière à ce qu'elle n'empêche ni la rotation des gicleurs ni la diffusion du produit.</li> <li>Ne chargez pas plus de vaisselle que la quantité conseillée.</li> <li>Chargez la vaisselle conformément aux instructions. (Reportez-vous aux pages 18 à 19)</li> </ul>
Les verres sont ternes.	L'eau utilisée est douce et la quantité de produit de lavage trop importante.	<ul style="list-style-type: none"> <li>Ne chargez pas trop le lave-vaisselle et utilisez un produit de rinçage pour minimiser ce phénomène.</li> </ul>
	De la vaisselle en aluminium a été placée dans le lave-vaisselle.	<ul style="list-style-type: none"> <li>Retirez les taches à l'aide d'un nettoyant doux.</li> </ul>
Une pellicule jaune ou marron recouvre l'intérieur du lave-vaisselle.	Cela est dû à des taches de café ou de thé.	<ul style="list-style-type: none"> <li>Retirez-les à l'aide d'un détachant classique.</li> </ul>

# Dépannage

Problème	Cause possible	Solution
La vaisselle n'est pas sèche.	Aucun produit de rinçage n'a été ajouté dans le réservoir.	<ul style="list-style-type: none"> <li>• Vérifiez le réservoir et ajoutez du produit de rinçage au besoin.</li> <li>• Utilisez un produit de rinçage sous forme liquide.</li> </ul>
	La température de l'eau est trop basse pendant un programme.	<ul style="list-style-type: none"> <li>• Assurez-vous que le circuit d'alimentation en eau est connecté au réseau d'eau chaude.</li> <li>• Utilisez du produit de rinçage avec l'option <b>Sanitize (Assainissement)</b>.</li> </ul>
	L'appareil est surchargé.	<ul style="list-style-type: none"> <li>• Un chargement incorrect de la vaisselle peut influencer sur son séchage.</li> <li>• Chargez la vaisselle conformément aux instructions. (Reportez-vous aux pages <b>18 à 19</b>)</li> </ul>
	Les verres et les tasses à fond concave retiennent l'eau. Cette eau peut se renverser sur d'autres articles lors du déchargement.	<ul style="list-style-type: none"> <li>• Une fois le programme en cours terminé, videz le panier inférieur en premier. Vous éviterez ainsi de faire couler l'eau résiduelle du panier supérieur dans le panier inférieur.</li> </ul>
L'appareil dégage de mauvaises odeurs.	De l'eau stagne depuis un programme incomplet.	<ul style="list-style-type: none"> <li>• Avec le lave-vaisselle vide, ajoutez du produit de lavage puis lancez le programme <b>Normal</b> pour nettoyer le lave-vaisselle.</li> </ul>
	Le tuyau d'évacuation est bouché.	<ul style="list-style-type: none"> <li>• Contactez un technicien de maintenance qualifié pour déboucher le tuyau d'évacuation.</li> </ul>
	Le lave-vaisselle n'est pas utilisé quotidiennement ou de la vaisselle sale a été laissée trop longtemps dans l'appareil.	<ul style="list-style-type: none"> <li>• Après avoir vérifié que le lave-vaisselle est vide et qu'il n'y a pas de produit de lavage dans le réservoir, placez un verre contenant 8 onces de vinaigre blanc directement dans le panier inférieur, puis lancez le programme <b>Normal</b>.</li> </ul>



Problème	Cause possible	Solution
Le lave-vaisselle est trop bruyant.	Du bruit est émis lors de l'ouverture du couvercle du réservoir et lorsque la pompe de vidange fonctionne au début du programme.	<ul style="list-style-type: none"> <li>Ce phénomène est normal.</li> </ul>
	Le lave-vaisselle n'est pas parfaitement stable.	<ul style="list-style-type: none"> <li>Assurez-vous que le lave-vaisselle a été installé de niveau.</li> </ul>
	Un objet étranger (une vis, une pièce en plastique) se trouve dans la cavité de la pompe.	<ul style="list-style-type: none"> <li>Contactez un technicien de maintenance qualifié pour extraire l'objet étranger de la cavité de la pompe.</li> </ul>
	Le bruit peut provenir d'un gicleur qui heurte la vaisselle.	<ul style="list-style-type: none"> <li>Réorganisez la vaisselle.</li> </ul>
Le gicleur ne tourne pas librement.	Les orifices des gicleurs sont bouchés par des particules d'aliments.	<ul style="list-style-type: none"> <li>Nettoyez l'orifice du gicleur. Reportez-vous en page 25.</li> </ul>
	Un plat ou un chaudron empêche le gicleur de tourner.	<ul style="list-style-type: none"> <li>Une fois la vaisselle en place dans les paniers, faites tourner les gicleurs manuellement pour vérifier qu'aucun obstacle ne se trouve dans leur champ de rotation.</li> </ul>
L'eau ne s'évacue pas du lave-vaisselle.	L'évacuation est obstruée.	<ul style="list-style-type: none"> <li>Contactez un technicien de maintenance qualifié pour déboucher le tuyau d'évacuation et vérifier le bon fonctionnement de la pompe de vidange.</li> </ul>
Le panier supérieur penche après chargement de la vaisselle.	La vaisselle n'est pas correctement répartie.	<ul style="list-style-type: none"> <li>Chargez la vaisselle conformément aux instructions. (Reportez-vous aux pages 18 à 19)</li> </ul>
Impossible de fermer la porte.	Le mode Séchage Auto Release™ est en cours.	<ul style="list-style-type: none"> <li>Une fois que la porte s'ouvre en mode Séchage Auto Release™, elle ne peut pas être fermée manuellement pendant les 2 prochaines minutes. Vous pouvez fermer la porte après 2 minutes.</li> </ul>

# Dépannage

## Codes d'information

Le tableau de commande affiche des codes d'information pour vous aider à comprendre l'état dans lequel se trouve votre lave-vaisselle.

Code	Action
LC	<b>Contrôle des fuites</b> <ul style="list-style-type: none"><li>• Si une fuite survient au niveau du raccordement de la vanne d'arrivée d'eau, fermez la vanne d'arrivée d'eau, allez vers le tableau électrique de votre habitation, coupez le disjoncteur du lave-vaisselle puis contactez l'installateur pour corriger le problème.</li><li>• Si le problème persiste, contactez un centre de maintenance Samsung agréé.</li></ul>
4C	<b>Contrôle de l'alimentation en eau</b> <ul style="list-style-type: none"><li>• Vérifiez si la vanne d'arrivée d'eau est fermée ou si l'arrivée d'eau est bloquée (vanne ou tuyau gelé(e) ou bouché(e) par des corps étrangers).</li><li>• Assurez-vous que la pompe de vidange fonctionne, que l'eau présente dans l'appareil est évacuée et qu'il n'y a pas d'obstruction à l'évacuation.</li><li>• Si le problème persiste, fermez la vanne d'arrivée d'eau et contactez un centre de maintenance Samsung agréé.</li></ul>
tC	<b>Contrôle de la thermistance</b> <ul style="list-style-type: none"><li>• Le capteur de température est cassé (court-circuit ou circuit ouvert). Si le problème persiste, contactez un centre de maintenance Samsung agréé.</li></ul>
HC	<b>Contrôle du chauffage à haute température</b> <ul style="list-style-type: none"><li>• L'appareil vérifie que la température pour le tuyau d'eau chaude n'est pas trop élevée et il la règle automatiquement sur la température appropriée (120 °F (49 °C) à 149 °F (65 °C)).</li><li>• Si le problème persiste, allez vers le tableau électrique de votre habitation, désactivez l'interrupteur du disjoncteur de votre lave-vaisselle puis contactez un centre de maintenance Samsung agréé.</li></ul>
AC	<b>Contrôle de la communication avec la carte de circuit imprimé</b> <ul style="list-style-type: none"><li>• Communication anormale entre la carte de circuit imprimé principale et la carte de circuit imprimé secondaire.</li><li>• Si le problème persiste, contactez un centre de maintenance Samsung agréé.</li></ul>

Si un code non répertorié ci-dessus s'affiche, appelez le 1-800-SAMSUNG (726-7864).

# Annexe

## Protection de l'environnement

- Votre lave-vaisselle est fabriqué à partir de matériaux recyclables. Si vous décidez de vous en débarrasser, veuillez respecter la réglementation locale relative à l'élimination des déchets. Coupez le câble d'alimentation de manière à ce que l'appareil ne puisse plus être branché sur une source d'alimentation.
- Retirez la porte afin d'éviter que des enfants ou de petits animaux ne se fassent piéger à l'intérieur de la machine.
- Ne dépassez pas les quantités de produit de lavage recommandées par le fabricant du produit.

## Caractéristiques techniques

Modèle		DW50T6060US
Type		Lave-vaisselle encastrable
Alimentation électrique		120 V / 60 Hz uniquement
Puissance nominale	Moteur de lavage	26 à 50 W
	Résistance chauffe-eau	1000 W
Capacité de lavage		8 couverts
Pression de l'eau		20 à 120 psi (140 à 830 kPa)
Dimensions (Longueur × Profondeur × Hauteur)		18 x 22 $\frac{5}{16}$ x 32 $\frac{1}{2}$ po (450 x 570 x 815 mm)
Poids		Déballé : 72,7 lb (33 kg)

# Garantie

## Garantie (États-Unis)

### LAVE-VAISSELLE SAMSUNG

#### GARANTIE LIMITÉE POUR L'ACHETEUR INITIAL AVEC PREUVE D'ACHAT

Cet appareil de la marque SAMSUNG, fourni et distribué par SAMSUNG ELECTRONICS AMERICA, INC. (SAMSUNG) et livré neuf, dans son carton d'origine à l'acheteur et consommateur initial, s'accompagne d'une garantie de SAMSUNG contre tout vice de fabrication au niveau des pièces et de la main d'œuvre pendant une période limitée, commençant à la date d'achat initial, de :

un (1) an pour toutes les pièces et la main d'œuvre ;

Cinq (5) ans pour la carte de circuit imprimé, les paniers, ainsi que la contre-porte et la cuve en acier inoxydable en cas de fuite. (Pièces uniquement)

La présente garantie limitée ne s'applique qu'aux appareils achetés et utilisés au sein des États-Unis et ayant été installés, utilisés et entretenus conformément aux instructions jointes ou fournies avec l'appareil. Pour se prévaloir du service de garantie, l'acheteur doit contacter SAMSUNG à l'adresse ou au numéro de téléphone fournis ci-dessous afin d'établir les procédures relatives au diagnostic et à l'intervention nécessaire. Le service de garantie ne peut être effectué que par un centre de maintenance agréé SAMSUNG. La facture datée et originale doit être présentée sur demande comme preuve d'achat à SAMSUNG ou au centre de maintenance agréé SAMSUNG pour pouvoir bénéficier du service de garantie.

SAMSUNG vous assure un service de réparation à domicile au sein des États-Unis contigus pendant la période de garantie et ce gratuitement, sous réserve de disponibilité des agents agréés du service technique SAMSUNG dans la zone géographique du client. Si le service de réparation à domicile n'est pas disponible, SAMSUNG peut organiser, à sa seule discrétion, le transport de l'appareil vers ou depuis un centre de maintenance agréé. Si l'appareil se trouve dans une zone où la réparation par un agent du centre de maintenance agréé SAMSUNG n'est pas disponible, il se peut que vous deviez vous acquitter de frais de transport ou apporter l'appareil dans un service technique agréé SAMSUNG pour faire la réparation.

Pour en bénéficier, vous devez veiller à ce que l'appareil soit dégagé et accessible par l'agent de maintenance.

Pendant la période de garantie applicable, l'appareil sera réparé, remplacé ou remboursé à la valeur de son prix d'achat, à la seule discrétion de SAMSUNG. SAMSUNG peut être amenée à utiliser des pièces neuves ou reconditionnées lors de la réparation de l'appareil, ou à remplacer l'appareil par un appareil neuf ou reconditionné. Les pièces et appareils de rechange sont garantis pendant la partie restante de la garantie initiale de l'appareil ou alors pendant quatre-vingt-dix (90) jours, selon la période qui est la plus longue. Toute pièce ou tout appareil remplacé appartient à SAMSUNG et doit être restitué à SAMSUNG.

---

La présente garantie limitée couvre les défauts de fabrication au niveau des pièces et de la main-d'œuvre survenant dans le cadre d'un usage domestique normal et non commercial de cet appareil et ne couvre pas les situations suivantes : dommages survenant au cours du transport, de la livraison, de l'installation et d'une utilisation de l'appareil qui serait contraire au but auquel il était destiné ; dommages causés par une modification ou altération non autorisée de l'appareil ; appareils dont le numéro de série initial apposé en usine a été effacé, déformé, modifié d'une quelconque façon ou est devenu illisible ; dommages de nature esthétique notamment les rayures, piqûres, éclats et autres dommages sur la finition de l'appareil ; dommages causés par un abus, un usage inapproprié, des infestations d'insectes, un accident, un incendie, des inondations, ou d'autres catastrophes naturelles ; dommages causés par l'utilisation de matériel, utilitaires, services, pièces, fournitures, accessoires, applications, installations, réparations, câblage externe ou connecteurs non fournis ou non autorisés par SAMSUNG ; dommages causés par un courant de phase ou une tension électrique incorrect(e), des fluctuations et des surtensions ; dommages causés par le non-respect des instructions d'utilisation et d'entretien de l'appareil ; instructions à domicile visant à expliquer la bonne utilisation de votre appareil ; et interventions visant à corriger une installation non conforme aux normes d'électricité ou de plomberie, ou à corriger les raccordements électriques ou de plomberie du domicile (c.-à-d. câblage du domicile, fusibles, ou tuyaux d'arrivée d'eau).

Le coût des réparations ou du remplacement dans de telles circonstances exclues sera à la charge au client.

Les interventions effectuées par un agent d'entretien agréé dans le but d'expliquer les fonctions de l'appareil ou les procédures de maintenance ou d'installation ne sont pas couvertes par la présente garantie limitée. Veuillez communiquer avec SAMSUNG en composant le numéro indiqué ci-dessous pour obtenir de l'aide si vous rencontrez l'un de ces problèmes.

#### **EXCLUSION DE GARANTIES IMPLICITES**

LES GARANTIES IMPLICITES, Y COMPRIS LES GARANTIES IMPLICITES DE QUALITÉ MARCHANDE OU D'APTITUDE À UN USAGE PARTICULIER, SONT LIMITÉES À UN AN OU À LA PLUS COURTE PÉRIODE AUTORISÉE PAR LA LOI. Certains États et certaines juridictions n'autorisent pas de limitations quant à la durée des garanties implicites ; il se peut par conséquent que les limitations et exclusions énoncées ci-dessus ne s'appliquent pas à votre cas. La présente garantie vous confère des droits spécifiques ; il est donc possible que vous bénéficiiez d'autres droits qui varieraient d'une juridiction à une autre.

# Garantie

---

## LIMITATION DE RECOURS

VOTRE SEUL ET EXCLUSIF RECOURS EST LA RÉPARATION DE L'APPAREIL, LE REMPLACEMENT DE L'APPAREIL, OU LE REMBOURSEMENT DE SON PRIX D'ACHAT À LA SEULE DISCRÉTION DE SAMSUNG, COMME PROPOSÉ DANS LA PRÉSENTE GARANTIE LIMITÉE. SAMSUNG NE SAURA ÊTRE TENU RESPONSABLE EN CAS DE DOMMAGES ACCESSOIRES, INDIRECTS OU SPÉCIAUX, NOTAMMENT MAIS SANS POUR AUTANT S'Y LIMITER LE TEMPS PRIS SUR LE TRAVAIL, LES FRAIS D'HÔTELS ET/OU REPAS EN RESTAURANT, LES DÉPENSES DE RÉNOVATION, LA PERTE DE BÉNÉFICES, DE REVENUS OU DE FONDS COMMERCIAL OU L'IMPOSSIBILITÉ DE RÉALISER LES ÉCONOMIES ESCOMPTÉES, QUELLE QUE SOIT LA BASE JURIDIQUE INVOQUÉE POUR JUSTIFIER L'ASSERTION, ET MÊME SI SAMSUNG A ÉTÉ AVISÉ DE LA POSSIBILITÉ DE TELS DOMMAGES. Certains États et certaines juridictions n'autorisent pas l'exclusion ou les limitations pour dommages accessoires ou indirects. Il est donc possible que les limitations ou exclusions ci-dessus ne s'appliquent pas à votre cas. La présente garantie vous confère des droits spécifiques ; il est donc possible que vous bénéficiiez d'autres droits qui varieront d'une juridiction à une autre.

SAMSUNG ne garantit pas un fonctionnement continu ou sans erreur de cet appareil. Samsung ne sera tenue d'honorer aucune garantie faite par toute autre personne, firme ou société en lien avec cet appareil.

Pour bénéficier d'un service d'assistance couvert par votre garantie, contactez SAMSUNG à l'adresse suivante :

Aux États-Unis  
Samsung Electronics America, Inc.  
85 Challenger Road  
Ridgefield Park, NJ 07660  
1-800-SAMSUNG (726-7864)  
[www.samsung.com/us/support](http://www.samsung.com/us/support)

## Garantie (CANADA)

### LAVE-VAISSELLE SAMSUNG

#### GARANTIE LIMITÉE À L'ACHETEUR INITIAL

Cet appareil de la marque SAMSUNG, fourni et distribué par SAMSUNG ELECTRONICS CANADA, INC. (SAMSUNG) et livré neuf, s'accompagne d'une garantie de SAMSUNG contre tout vice de fabrication au niveau des pièces et de la main d'œuvre pendant une période limitée de :

un (1) an pour toutes les pièces et la main d'œuvre ;

Cinq (5) ans pour la carte de circuit imprimé, les paniers, ainsi que la contre-porte et la cuve en acier inoxydable en cas de fuite. (Pièces uniquement)

La présente garantie limitée s'applique à compter de la date d'acquisition originale et couvre uniquement les appareils achetés et utilisés au Canada. Pour se prévaloir du service de garantie, l'acheteur doit contacter SAMSUNG afin d'établir les procédures relatives au diagnostic et à l'intervention nécessaire. Le service de garantie ne peut être effectué que par un centre de maintenance agréé SAMSUNG. La facture datée et originale doit être présentée sur demande comme preuve d'achat à SAMSUNG ou au centre de maintenance agréé SAMSUNG. SAMSUNG fournit un service de réparation gratuit à domicile pendant la période de garantie, en fonction de la disponibilité à l'intérieur des États contigus du Canada.

Le service de réparation à domicile n'est pas disponible partout.

Pour en bénéficier, vous devez veiller à ce que l'appareil soit dégagé et accessible par l'agent de maintenance. Si le service de réparation à domicile n'est pas disponible, SAMSUNG peut organiser le transport de l'appareil vers ou depuis un centre de maintenance agréé.

SAMSUNG s'engage à réparer, remplacer ou rembourser cet appareil à sa discrétion et gratuitement, comme stipulé dans les présentes conditions, avec des pièces ou appareils neufs ou reconditionnés, si un défaut est constaté pendant la période de garantie limitée spécifiée ci-dessus. Toute pièce ou tout appareil remplacé devient la propriété de SAMSUNG et doit être restitué à SAMSUNG. Les pièces et appareils de rechange sont protégés pour le reste de la période de garantie initiale ou pour quatre-vingt-dix (90) jours, selon l'éventualité la plus éloignée.

La présente garantie limitée couvre les défauts de fabrication au niveau des pièces et de la main-d'œuvre survenant dans le cadre d'un usage normal et non commercial de cet appareil et ne s'applique pas aux situations suivantes : dommages survenant au cours du transport, de la livraison et de l'installation ; applications ou utilisations pour lesquelles cet appareil n'est pas conçu ; modification de l'appareil ou des numéros de série ; dommages de nature esthétique ou sur la finition extérieure ; accident, abus, négligence, incendie, inondation, foudre et autres catastrophes naturelles ; utilisation de produits, matériel, systèmes, utilitaires, services, pièces, fournitures, accessoires, applications, installations, réparations, câblage externe ou connecteurs non fournis ou non autorisés par SAMSUNG et pouvant endommager cet appareil ou entraîner des problèmes d'entretien ; tension secteur incorrecte, fluctuations et surtensions ; réglages faits par le client et non-respect des consignes d'utilisation et d'entretien ou des instructions environnementales décrites et prescrites dans le manuel d'instructions ; déplacement et réinstallation de l'appareil ; problèmes causés par des infestations d'insectes. Cette garantie limitée ne couvre pas les problèmes résultant d'un courant électrique, d'une tension ou d'une alimentation électrique inadéquat(e)s, les ampoules, les fusibles, le câblage, le coût des appels pour obtenir des instructions, ni les erreurs d'installation. SAMSUNG ne garantit pas un fonctionnement continu ou sans erreur de cet appareil.

# Garantie

---

À L'EXCEPTION DE CELLES EXPOSÉES PAR LA PRÉSENTE, IL N'EXISTE AUCUNE AUTRE GARANTIE SUR CET APPAREIL, QU'ELLE SOIT EXPRESSE OU IMPLICITE, ET SAMSUNG REJETTE TOUTE AUTRE GARANTIE Y COMPRIS, MAIS SANS S'Y LIMITER, TOUTE GARANTIE IMPLICITE RELATIVE À LA QUALITÉ MARCHANDE, À L'ABSENCE DE CONTREFAÇON OU À L'ADAPTATION À UN USAGE PARTICULIER. SAMSUNG NE SERA TENUE D'HONORER AUCUNE GARANTIE FAITE PAR UNE PERSONNE, UNE FIRME OU UNE SOCIÉTÉ QUELCONQUE EN LIEN AVEC CET APPAREIL. SAMSUNG NE SERA AUCUNEMENT RESPONSABLE DE LA PERTE DE BÉNÉFICES OU DE REVENUS, OU DE L'IMPOSSIBILITÉ DE RÉALISER LES ÉCONOMIES OU BÉNÉFICES ESCOMPTÉS, NI DES AUTRES DOMMAGES ACCESSOIRES, INDIRECTS OU SPÉCIAUX CAUSÉS PAR L'UTILISATION, L'USAGE ABUSIF OU L'INCAPACITÉ À UTILISER CET APPAREIL, QUELLE QUE SOIT LA BASE JURIDIQUE INVOQUÉE POUR JUSTIFIER L'ASSERTION, ET MÊME SI SAMSUNG A ÉTÉ AVISÉE DE LA POSSIBILITÉ DE TELS DOMMAGES.

TOUT TYPE DE COMPENSATION EXIGÉ AUPRÈS DE SAMSUNG NE DEVRA EN AUCUN CAS EXCÉDER LE PRIX D'ACHAT DE L'APPAREIL VENDU PAR SAMSUNG ET À L'ORIGINE DES DOMMAGES ALLÉGUÉS.

SANS LIMITATION AUX DISPOSITIONS PRÉCÉDENTES, L'ACHETEUR ASSUME TOUS LES RISQUES ET TOUTES LES RESPONSABILITÉS EN CAS DE PERTE, DE DOMMAGES OU DE BLESSURES ÉVENTUELLES SUBIS PAR L'ACHETEUR, LES BIENS DE L'ACHETEUR, AUTRUI ET LES BIENS D'AUTRUI SUITE À L'UTILISATION, L'USAGE ABUSIF OU L'INCAPACITÉ À UTILISER CET APPAREIL. LA PRÉSENTE GARANTIE LIMITÉE N'EST VALABLE POUR PERSONNE D'AUTRE QUE L'ACHETEUR INITIAL DE CET APPAREIL, N'EST PAS TRANSFÉRABLE ET ÉNONCE VOTRE RECOURS EXCLUSIF.



---

Certains États ou provinces n'autorisent pas de limitations quant à la durée des garanties implicites ni l'exclusion ou la limitation de dommages accessoires ou indirects ; il se peut par conséquent que les limitations et exclusions énoncées ci-dessus ne s'appliquent pas à votre cas. Cette garantie vous confère des droits légaux spécifiques ; il est donc possible que vous bénéficiiez d'autres droits qui varieront d'un État à un autre ou d'une province à une autre.

Pour bénéficier d'un service d'assistance couvert par votre garantie, contactez SAMSUNG à l'adresse suivante :

Au CANADA

Samsung Electronics Canada Inc.

2050 Derry Road West

Mississauga, Ontario L5N 0B9 Canada

1-800-SAMSUNG (726-7864)

[www.samsung.com/ca/support](http://www.samsung.com/ca/support) (English)

[www.samsung.com/ca\\_fr/support](http://www.samsung.com/ca_fr/support) (French)

# Mémo

---

# Mémo

---

# SAMSUNG



Scan the QR code\* or visit  
[www.samsung.com/spsn](http://www.samsung.com/spsn)  
to view our helpful  
How-to Videos and Live Shows

\*Requires reader to be installed on your smartphone

[bit.ly/samsungdishwashers](http://bit.ly/samsungdishwashers)

## UNE QUESTION ? UN COMMENTAIRE ?

PAYS	N° de téléphone	SITE INTERNET
U.S.A - Consumer Electronics - Mobile Phones	1-800-SAMSUNG (726-7864) 1-844-SAM-PAYS (726-7297)	<a href="http://www.samsung.com/us/support">www.samsung.com/us/support</a>
CANADA	1-800-SAMSUNG (726-7864) 1-844-SAM-PAYS (726-7297)	<a href="http://www.samsung.com/ca/support">www.samsung.com/ca/support</a> (English) <a href="http://www.samsung.com/ca_fr/support">www.samsung.com/ca_fr/support</a> (French)



DD81-03054A-00