

Quick Setup Guide

To register this product please visit www.samsung.com/register.



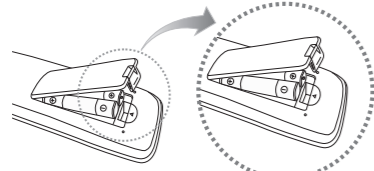
BN68-04353A-01



List of Parts

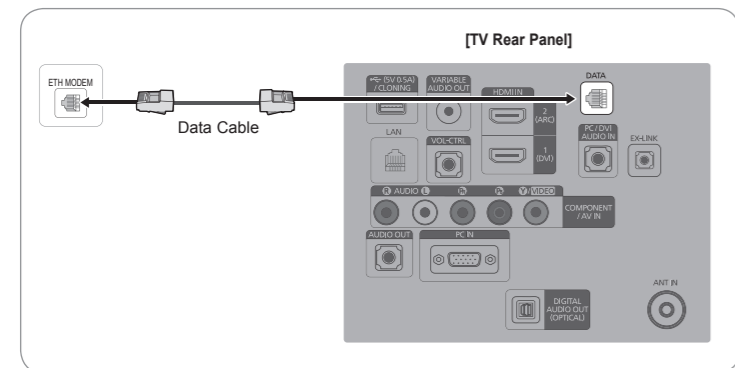
- Remote Control (AA59-00628A) & Batteries (AAA x 2)
- Power Cord
- Data Cable (BN39-00865B, BN39-01011C)
- Hotel Mount Kit
- Owner's Instructions & Safety Guide
- Security Screw x 4 5/32" tamper resistant hex wrench (sold separately)

Installing the batteries (Battery size: AAA)



After you have installed the batteries, use a screwdriver to screw in the screw that holds the battery cover closed.

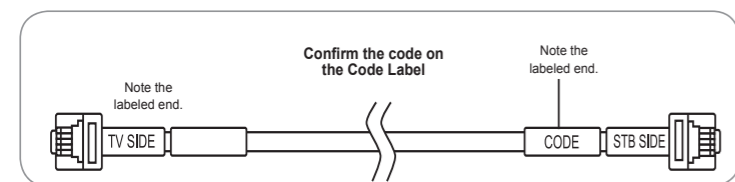
Connecting the TV with an SBB or STB



- Connect the [DATA] jack of the TV to the [ETH MODEM] jack of the STB (SBB) with the Data cable.
 - Use data communication.

List of Vendors and Compatible Data Cables Supplied with the TV

Refer to the code label on the data cables.



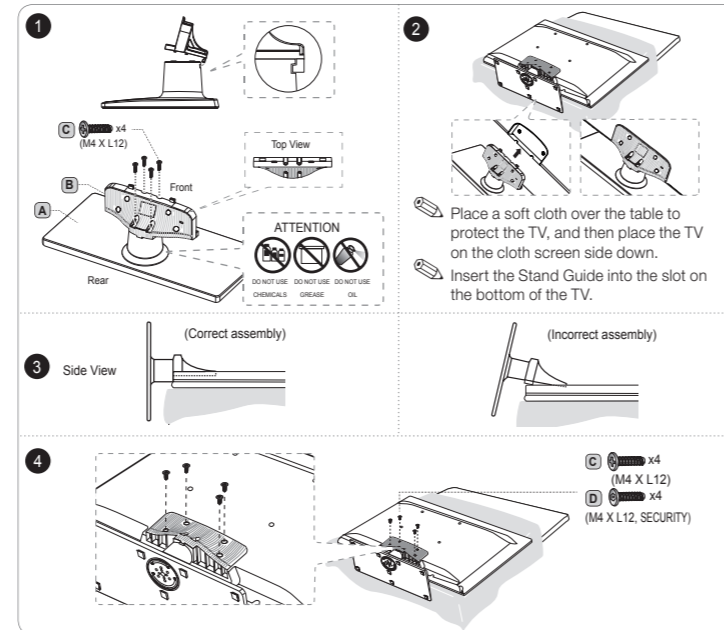
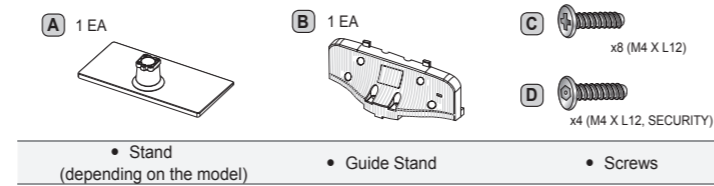
Vendor	Cable code
OCC	BN39-00865B
NXTV	BN39-01011B
nStreams	BN39-01110A
MTI	BN39-01011C

Installing the LED TV Stand

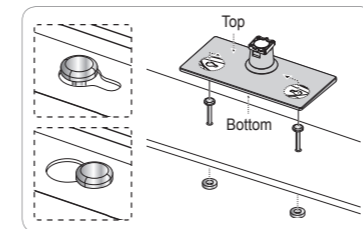
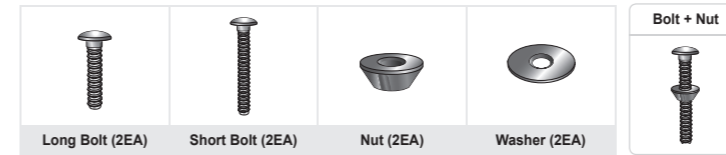
HG40NA590 / HG46NA590 / HG40NA790 / HG46NA790 / HG55NA790

Components

When installing the stand, use the provided components and parts.



Hotel Mount Kit

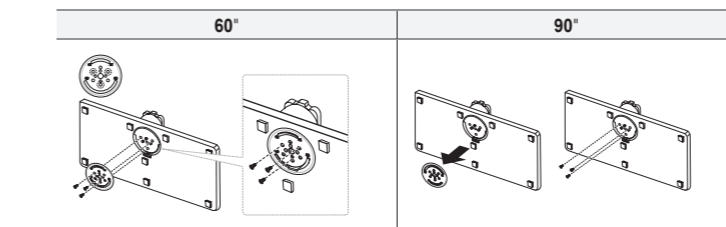


To affix the stand to a flat surface such as a dresser top, desk top, or entertainment center, use the Hotel Mount Kit as shown.

- Make sure to distinguish between the front and back of the stand and the Stand Guide when assembling them.
- Make sure that at least two people lift and move the LED TV.
- Lay the product down, with the screen facing down, and then fasten the screws to the stand.

Assembling the swivel

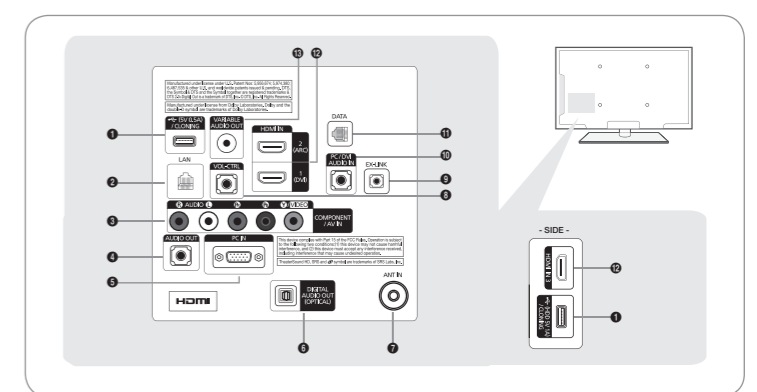
The 32" and larger LED TVs have swivel stands. You can set these stands so that the TVs swivel 20 degrees left and right. 60 degrees left and right, or 90 degrees left and right.



Leaving the BRACKET HOLDER SWIVEL unchanged lets the TV swivel 20° left and right. To let the TV swivel 60° left and right, rotate the BRACKET HOLDER SWIVEL 180°, and then assemble the stand as shown above.

To let the TV swivel 90° left and right, remove the BRACKET HOLDER SWIVEL and assemble the stand as shown above without the BRACKET HOLDER SWIVEL.

Viewing the Connection Panel



The product color and shape may vary depending on the model.

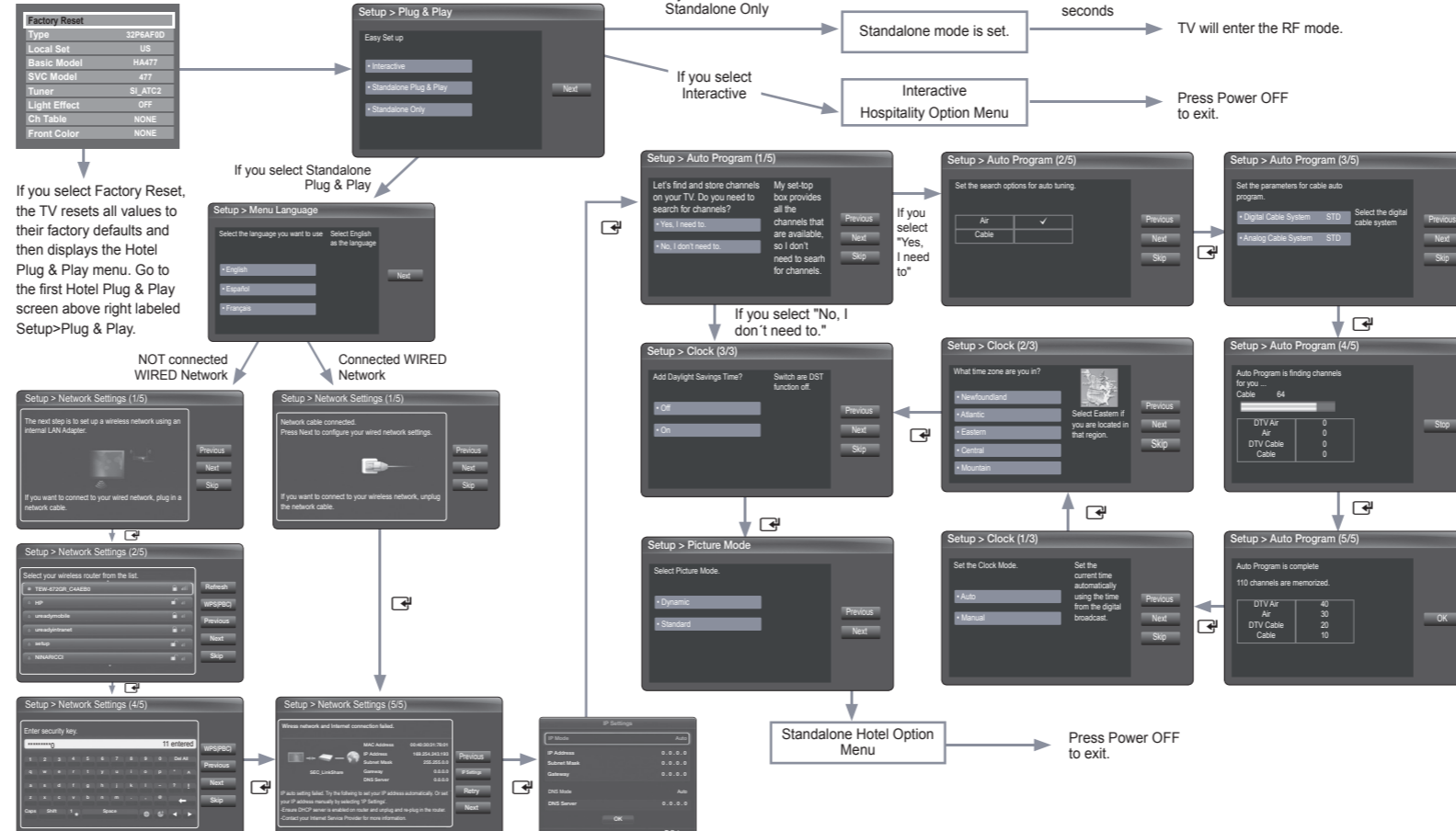
- USB (5V 0.5A) / CLONING, (HDD 5V 1A) / CLONING
- LAN
- COMPONENT IN / AV IN
- AUDIO OUT
- PC IN
- DIGITAL AUDIO OUT (OPTICAL)
- ANT IN
- VOL-CTRL
- EX-LINK
- PC / DVI AUDIO IN
- DATA
- HDMI IN 1 (DVI), 2 (ARC), 3
- VARIABLE AUDIO OUT

Notice When in the Hotel mode (Interactive or Standalone), the Channel menu items in the Menu OSD, except for Channel List, are deactivated. If you need to change the channel line up, use the Channel Setup item in the Hotel option menu. Hotel Plug & Play is not supported in B-LAN models (D478/578).

Hotel Plug & Play

The Hotel Plug & Play function automatically performs the Hotel mode selection, Country Setup, Clock Setup, and Picture mode Setup once, when power is first turned ON. Setup also runs automatically after you have executed a Service Reset.

UI Scenario



Hotel Plug & Play OSD

- Initial Highlight: Interactive
- If you select the Standalone Only button, the Standalone hotel mode is set by default and the "Standalone mode is set" OSD appears for 3 seconds.
- TV enters into RF mode automatically after displaying "Standalone mode is set" OSD for 3 seconds.
- If you select the Interactive mode, the Interactive Setup Menu is displayed. Press the power off key to exit from the Interactive menu.
- If you select the Standalone Plug & Play mode, the "Select Menu Language" OSD appears.

Select Menu Language OSD

- If you select Standalone from the "Select Hotel TV Mode" OSD, the "Select Menu Language" OSD appears.
- Initial Highlight: English
- Display time: OSD timeout and operation are the same as Samsung's consumer TV models.
- If you press the Enter key, the "Select Country" OSD appears.

Clock Mode OSD

- Initial Highlight: Auto.
- Display time: 30 seconds.
- The Clock Set item OSD appears if you select Manual.
- If you press the Enter key after setting the clock, or while in Auto clock set, the Picture Mode OSD appears.

Set daylight saving time OSD

- Initial Highlight: Off
- If you press the Enter key, the Select the DST area OSD appears.

Picture Mode OSD

- Initial Highlight: Dynamic.
- The TV displays the Picture Mode OSD where you can choose the Dynamic or a Standard Picture mode.
- After you select the picture mode, the TV displays the Standalone Setup Menu OSD. Press power off to exit.

Auto Search Mode OSD

- If you select the Skip option, the TV displays the Clock Mode OSD.
- If you press the Enter key, the TV auto searches for channels.
- The OSD Display time, which starts at the time that Auto Sort is completed goes to the time Auto Sort starts, is 30 seconds.

Setting the Hotel Option Data

To Enter: Press the **[MUTE]** → **[1]** → **[1]** → **[9]** → **[ENTER]** buttons in order.
To Exit from this menu : AC Power off, and then turn on again. Any changes you made are saved.

Menu	Item	Initial Value	Description
Hospitality Mode	Hospitality Mode	Standalone	Select the Hospitality mode. • Standalone • Interactive
SI Vendor	SI Vendor	Samsung	Available in the Interactive menu only. • Select the SI Vendor. • Samsung / OCC / MTI / Nstreams / Enseco / Cardinal / Guestek / SeaChange
Power On	Power On Channel EN	Last Saved	Set the default values, which will be applied when the TV is turned on. • User Defined : Refers to the settings configured for Power On Channel, Channel Type. • Last Saved : Refers to the last saved settings.
	Power On Channel	3	When the TV is turned on, it switches automatically to this channel when in Stand Alone Hospitality mode.
	Channel Type	...	Channel search CABLE and AIR. • ATV, DTV : ON-AIR • CATV (Cable Analog TV), CDTV (Cable Digital TV) : CABLE TV
	Power On Volume EN	Last Saved	Set the default volume values which will be applied when the TV is turned on. • User Defined : Uses the settings configured for Power On Volume. • Last Saved : Uses the last saved settings.
Power On	Power On Volume	...	TV will switch on at this Volume Level in Stand Alone Hospitality mode.
	Min Volume	0	Minimum Volume Level user can set in Stand Alone Hospitality mode.
	Max Volume	100	Maximum Volume Level user can set in Stand Alone Hospitality mode.
	Power On Source	TV	Select the input source the TV displays when it is turned on.
Power On	Power On Option	Last Option	Determines the TV's state when power returns after a power failure or after you have unplugged the TV and then plugged it in again. • LAST OPT: Returns to its last Power state. If it was in Stand-by, it returns to Stand-by. If it was on, it turns on.
	Channel Setup	...	You can use the Channel menu option in the OSD.
Channel	Channel Editor	...	Edit Channel Number and Name.
	Dynamic SI	ON	• On : Check the DTV Program channel number. (DTV channel editor is inaccessible) • Off : No check of the DTV Program channel number. (DTV channel editor is accessible, but additional channel program number update is not supported)
Menu OSD	Picture Menu Lock	OFF	Enable or disable the Picture Menu.
	Menu Display	ON	• On : Main Menu displays. • Off : Main Menu does not display.
Operation	Panel Button Lock	Unlock	Front panel (Local key) operation on/off. • Unlock : Unlock all panel keys • Lock : Lock all panel keys • OnlyPower : Lock all panel buttons except Power • Menu/Source : Lock Menu and Source

Sound Bar

- ◆ **Samsung Sound-Bars and Hospitality TVs in 2012**
 - Samsung Sound-Bars and hospitality TVs support the ARC feature in HDMI 1.4. If you connect a compatible Samsung Sound-Bar to a compatible Samsung hospitality TV using a single HDMI cable, guests can listen to the TV's sound through the Sound-Bar.
 - Models supporting the ARC function are listed below:
 - Sound-Bars: HW-E350/E450/E550
 - ◆ **Setting the Sound-Bars to Hotel Mode.**
 - Set the following Hotel menu options:
 - Hotel option > External Device > Sound Bar Out = On.
 - Hotel option > Power On > Power On Volume EN = User Defined.
 - Hotel option > Power On > Power On Volume > Set greater than 0.
 - Hotel option > Power On > Max Volume > Set greater than 0.
 - Connect an HDMI cable from the HDMI OUT jack on the back of Sound-Bar to the HDMI2 port (supporting ARC) on the hospitality TV.
 - After the Sound-Bar is connected to the hospitality TV, when the TV turns on, the Sound-Bar automatically detects the TV, and then automatically switches to Hotel Mode.
- Sound Bar Hotel mode functional characteristics:**
- Power On/Off is synchronized with the TV
 - HDMI_CEC defaults to On
 - Functions through the "HDMI OUT" port only
 - Disables the "Input mode" key on the VFD to prevent unexpected audio-source changes.
 - Acquires adjustable Power On and Max Volume settings from the TV's Hotel option menu. The Sound-Bar's Power On Volume and Max Volume values, however, are 1/2 of the Power On Volume and Max Volume settings in the TV's Hotel option menu. Example: If the TV's Power On Volume=20 and Max Volume=90, then the Sound Bar's Power On Volume=10 and Max Volume=45.

Licence

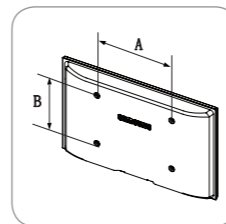


Menu	Item	Initial Value	Description
Clock	Local Time	Manual	Select the way to update clock data. • Manual: Manual clock setting (without updating from TTX data)
Music Mode	Music Mode AV	OFF	To get music output from an mp3/audio player through an AV Input Source. When on, you can hear sound from the player through the TV whether there is a video signal or not. Also mutes the video so the TV does not display a picture when a guest is playing music. The TV's backlight, however, remains on.
	Music Mode PC	OFF	To get music output from an mp3/audio player through a PC Input Source. When on, you can hear sound from the player through the TV whether there is a video signal or not. Also mutes the video so the TV does not display a picture when a guest is playing music. The TV's backlight, however, remains on.
	Music Mode Comp	OFF	To get music output from an mp3/audio player through a Component Input Source. When on, you can hear sound from the player through the TV whether there is a video signal or not. Also mutes the video so the TV does not display a picture when a guest is playing music. The TV's backlight, however, remains on.
	Music Mode Backlight	OFF	When set to Off, the TV's backlight is turned off entirely when a guest uses the Music mode. To save energy, set to Off.
External Device	7610 Priority AV	1	Lets you set the priority of the 7610 RJP AV jack. You can choose 1, 2, or 3, with 1 being the highest and 3 the lowest. The TV automatically displays the source with the higher priority. For example, lets say AV is set to 1 and HDMI is set to 2. If a guest has attached a device to the HDMI jack, and then plugs a device into the AV jack, the TV will automatically switch to the device plugged into the AV jack (the jack with the higher priority). Note that a guest can also switch devices manually by pushing a button on the 7610 RJP.
	7610 Priority PC	2	Lets you set the priority of the 7610 RJP PC jack. You can choose 1, 2, or 3, with 1 being the highest and 3 the lowest. The TV automatically displays the source with the higher priority. See above for a more detailed explanation.
	7610 Priority HDMI	3	Lets you set the priority of the 7610 RJP HDMI jack. You can choose 1, 2, or 3, with 1 being the highest and 3 the lowest. The TV automatically displays the source with the higher priority. See above for a more detailed explanation.
	7610 AV Option	AV1	Select RJP AV Source. (AV1/AV2)
	RJP HDMI Option	HDMI1/DVI	Select RJP HDMI Source. (HDMI1/HDMI2/HDMI3)
	HDMI Music Mode	OFF	To get music output from an mp3/audio player through a HDMI Input Source. When on, you can hear sound from the player through the TV whether there is a video signal or not. (This option is only compatible with the Guest link RJP.)
External Source	Sound Bar Out	OFF	ON/OFF sound bar out.
	USB Media Mode	Default	When a USB device is connected to the TV: • Default : Pop up window appears. • Automatic : Enters the USB contents menu automatically. • Disable : Neither the pop-up window or nor the menu appears.
External Source	External Source Banner	ON	Displays the External Source information when you change the TV source to external input. Press the info key and the TV turns on. • On : The External Source information is displayed on the TV screen. • Off : The External Source information is not displayed on the TV screen.

Wall Mount Kit Specifications (VESA)

- Install your wall mount on a solid wall perpendicular to the floor. When attaching to other building materials, please contact your nearest dealer. If installed on a ceiling or slanted wall, TV may fall and result in severe personal injury.
- > Standard dimensions for wall mount kits are shown in the table below.
 - > Samsung wall mount kits contain a detailed installation manual. All parts necessary for assembly are provided.
 - > Do not use screws that do not comply with the VESA standard screw specifications.
 - > Do not use screws that are longer than the standard dimension or do not comply with the VESA standard screw specifications. Screws that are too long may cause damage to the inside of the TV set.
 - > For wall mounts that do not comply with the VESA standard screw specifications, the length of the screws may differ depending on the wall mount specifications.
 - > Do not fasten the screws too firmly. This may damage the product or cause the product to fall, leading to personal injury. Samsung is not liable for these kinds of accidents.
 - > Samsung is not liable for product damage or personal injury when a non-VESA or non-specified wall mount is used or the consumer fails to follow the product installation instructions.
 - > Do not mount the TV at more than a 15 degree tilt.
 - > Always have two people mount the TV on a wall.

Product Family	TV size in inches	VESA screw hole specs (A * B) in millimeters	Standard Screw (Length* Pitch in mm)	Quantity
LED-TV	19 ~ 22	75 X 75	M4 (10~15 * 0.7)	4
	26	100 X 100	M4 (10~15 * 0.7)	
	32 ~ 40	200 X 200	M6 (10~15 * 1.0)	
	46	400 X 400	M8 (10~15 * 1.25)	



Do not install your Wall Mount Kit while your TV is turned on. It may result in personal injury due to electric shock.

Menu	Item	Initial Value	Description
External Source	Auto Source	OFF	• On : In stand-by mode, when an external source is connected to the TV, the TV automatically goes to AC Power On and Auto Ident external input mode. • PC : Auto Ident PC Input only. • Off : Auto Source is Off.
	Anynet+ Return Source	Power On Src	Select Return Source for Guest-Link RJP (HDMI-CEC).
Bathroom Speaker	Sub AMP mode	2	Determines the Sub AMP operation mode. • 0 : Turns the Sub AMP function off (PWM off). • 1 : Determines the Sub volume according to the main volume control. That is, the sub volume is determined according to the Power On Volume, the Min Volume, and the Max. • 2 : Determines the volume according to the bathroom control panel setting.
	Sub AMP volume	6	Sub AMP Volume level at power on initial condition.
Eco Solution	Energy Saving	OFF	This feature adjusts the brightness of the TV to reduce power consumption. • Off: Turns off the energy saving function. • Low: Sets the TV to low energy saving mode. • Medium: Sets the TV to medium energy saving mode. • High: Sets the TV to high energy saving mode.
	Welcome Message	OFF	Display the Welcome Message for 5 seconds when the TV turns On.
Logo/ Message	Edit Welcome Message	...	Edit Welcome Message.
	Hospitality	OFF	Turns the Hospitality logo feature on/off. The Logo is shown during the initial turn on for the amount of time set in "Logo Display Time"
	Hospitality Logo DL	...	Hospitality Logo Download. (File name required: samsung bmp/avi, Max file size: BMP 960 x 540 / AVI 30MB, File Type: BMP/AVI)
	Logo Display Time	...	Hospitality Logo Display Time (3/5/7 seconds).
Cloning	Clone TV to USB	...	Clone the current TV option values to a USB memory device.
	Clone USB to TV	...	Clone the saved TV option values in a USB memory device to the TV.
SIRCH	Setting Auto Initialize	OFF	If you set Setting Auto Initialize to On, and the TV's power is turned off and on, guest side menu items are restored to their cloned values.
	SIRCH update Time	1 hour	Available in the Standalone menu only. SIRCH (Samsung Interactive Remote Control for Hospitality) is a professional interactive remote controller for DTV that lets you deliver TV firmware updates, cloning data, and channel mapping changes to several hundred hospitality TVs simultaneously. SIRCH is sold separately.
SIRCH	SIRCH Update Immediate	OFF	• On : Whenever TV goes to Stand-By mode, always runs SIRCH Update. • Off : Only runs SIRCH Update on selected SIRCH Update Time.
	Manual SIRCH	...	Upgrade SIRCH Clone / Binary by manual.
	SIRCH Channel	87	Select SIRCH Update Channel.
	SIRCH Version	0000	Display the current SIRCH Clone version.
	SIRCH Group ID	ALL	Select SIRCH Group ID.
	REACH	Off	REACH Display On/Off.
	IPG Room Type	Default	Select IPG Room Type.

Specifications

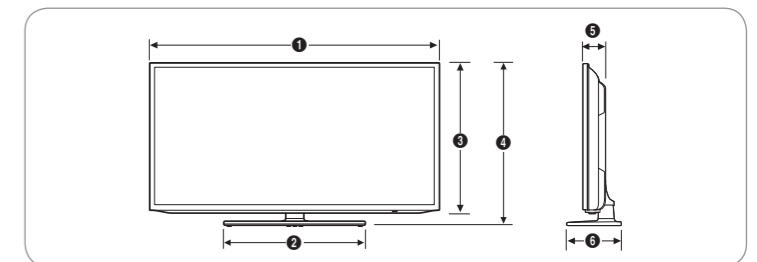
Display Resolution	1920 x 1080	
Environmental Considerations	50°F to 104°F (10°C to 40°C)	
Operating Temperature	10% to 80%, non-condensing	
Operating Humidity	-4°F to 113°F (-20°C to 45°C)	
Storage Temperature	5% to 95%, non-condensing	
Storage Humidity	-20° ~ 20°	
Stand Swivel (Left / Right)	-	
Model Name	HG40NA590	HG46NA590
Screen Size (Diagonal)	40" Class (40.0" measured diagonally)	46" Class (45.9" measured diagonally)
Power Consumption	89W	99W
Normal operation		
Standby		
Sound (Output)	10W x 2	
Dimensions (WxDxH)	36.5 X 3.6 X 21.6 inches (927.6 X 93.0 X 551.0 mm)	
Body	41.7 X 3.7 X 24.6 inches (1059.8 X 94.3 X 625.6 mm)	
With stand	36.5 X 8.9 X 23.8 inches (927.6 X 227.6 X 607.0 mm)	
Weight	19.8 lbs (9.0 kg)	
Without Stand	27.5 lbs (12.5 kg)	
With Stand	26.2 lbs (11.9 kg)	
Model Name	HG40NA790	HG46NA790
Screen Size (Diagonal)	40" Class (40.0" measured diagonally)	46" Class (45.9" measured diagonally)
Power Consumption	108W	118W
Normal operation		
Standby		
Sound (Output)	10W x 2	
Dimensions (WxDxH)	36.4 X 1.8 X 21.7 inches (926.8 X 46.9 X 553.4 mm)	
Body	41.8 X 1.8 X 24.7 inches (1062.2 X 46.9 X 629.8 mm)	
With stand	36.4 X 9.0 X 23.9 inches (926.8 X 227.7 X 608.1 mm)	
Weight	22.7 lbs (10.3 Kg)	
Without Stand	28.4 lbs (12.9 kg)	
With Stand	29.0 lbs (13.2 Kg)	
Model Name	HG55NA790	
Screen Size (Diagonal)	55" Class (54.6" measured diagonally)	
Power Consumption	135W	
Normal operation		
Standby		
Sound (Output)	10W x 2	
Dimensions (WxDxH)	49.3 X 1.8 X 29 inches (1252.8 X 46.9 X 736.6 mm)	
Body	49.3 X 9.0 X 31.1 inches (1252.8 X 227.7 X 791.2 mm)	
With stand	49.3 X 9.0 X 31.1 inches (1252.8 X 227.7 X 791.2 mm)	
Weight	35.7 lbs (16.2 kg)	
Without Stand	34.8 lbs (15.8 kg)	
With Stand	42.0 lbs (19.1 kg)	

- > Design and specifications are subject to change without prior notice.
- > This device is a Class B digital apparatus.
- > For information about the power supply and power consumption, refer to the label attached to the product.

Menu	Item	Initial Value	Description
Network	Network Setup	...	Set an IP address to establish an Internet connection.
	Hotel ID Setting	...	Set a Hotel ID.
	Smart Hub	...	Enter Smart Hub.
Widget	Widget Mode	OFF	Widget Mode On/Off.
	Solution Type	H.Browser	Select type of solution (H.Browser/CMS).
	Server IP Setting	...	Setting server IP.
	Server URL Setting	...	Setting server URL.
External Source	External Source Browser	On	Source Menu On/Off.
	Virtual Standby	Off	Virtual Standby mode On/Off.
IPTV Mode	IPTV Mode	Off	IPTV mode On/Off.
	CAS	Pro:Idiom	Select CAS.
PI AES DATA	PI AES DATA	0x0000	Displays the state of Pro:Idiom operation.
	Self Diagnosis	...	Enter Self Diagnosis Menu. • Picture Test: Use to check for picture problems. If the problem appears in the test picture, select Yes and follow the directions on the screen. • Sound Test: Use the built-in melody sound to check for sound problems. If the problem occurs during the test, select Yes and follow the directions on the screen.
Service	PI AES Log	OFF	Displays the state of Pro:Idiom AES operation.
	View PI AES Log	...	Display/Save Pro:Idiom AES log.
	SW Upgrade	...	Upgrade the TV software.
	Service Pattern	Off	Display SVC pattern.
	ATV Calble AGC Gain	0	Control AGC Gain for ONLY SVC.
	DTV OpenCalble AGC Gain	0	Control AGC Gain for ONLY SVC.
TV Reset	...	Reset the TV. Same as Factory Reset in Factory option.	

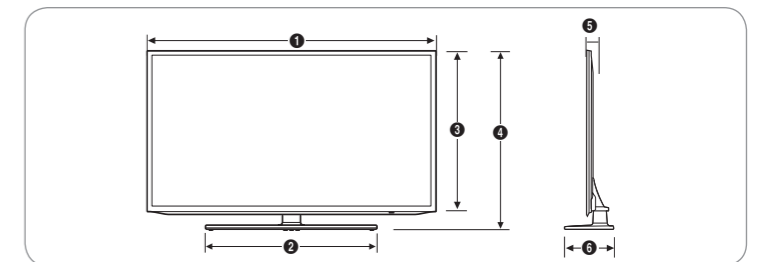
Dimensions

HG40NA590 / HG46NA590



	1	2	3	4	5	6
HG40NA590	36.5	20.3	21.6	23.8	3.6	8.9
HG46NA590	41.7	20.3	24.6	26.8	3.7	8.9

HG40NA790 / HG46NA790 / HG55NA790



	1	2	3	4	5	6
HG40NA790	36.4	21.6	21.7	23.9	1.8	9.0
HG46NA790	41.8	24.7	24.7	26.9	1.8	9.0
HG55NA790	49.3	24.7	29	31.1	1.8	9.0