

RFG297**



Refrigerator user manual

English

imagine the possibilities

Thank you for purchasing this Samsung product.
To receive more complete service or accessory
parts, please register your product at or contact

www.samsung.com/register
1-800-SAMSUNG (726-7864)



Features of your new Refrigerator

KEY FEATURES OF YOUR NEW REFRIGERATOR

Your Samsung French Door Refrigerator comes equipped with various innovative storage and energy-efficient features.

- **Twin Cooling System**

The Refrigerator and Freezer have separate evaporators. Due to this independent cooling system, the Freezer and Refrigerator cool more efficiently. Additionally, this separate air flow system prevents food odor of one compartment from seeping into other compartments.

- **Cool Select Pantry™**

The Cool Select pantry™ is a full-width drawer with adjustable temperature control.

- **Bigger & Wider Space**

The wide shelf area and pantry provide enough space for larger items like a pizza box, etc. The wide freezer drawer also provides enough space for 2~3 turkeys.

- **Secure Auto Close**

The Secure Auto Close feature will automatically close a door that is slightly open.

- **Compact Ice Maker**

The Ice maker can dispense cubed or crushed ice.

- **Digital Display and Temperature Control**

- **Water Filtration System**

- **Door Alarm**

A helpful beeper alerts you if a door is ajar.

- **Tilting Pocket**

The Tilting pocket can be used to store up to a 16" pizza.

- **Auto Pull Out Drawer**

The upper drawer in the freezer comes out automatically as you just open the freezer door.

- **Super Extended Drawer**

The upper drawer can be pulled out to the Tilting Pocket.

- **Easy Handle**

Freezer door can be opened with less effort.

- **Energy Star**

This Energy star labeled product may save you money on your energy costs.



For easy future reference, write the model and serial number down. You will find your model number and serial number on the left side of the refrigerator.

Model # _____

Serial # _____











Safety Information

SAFETY INFORMATION

Before using your new Samsung French Door Refrigerator, please read this manual thoroughly to ensure that you know how to safely and efficiently operate the features and functions that your new appliance offers.


Because the following instruction covers various models, the characteristics of your Refrigerator may differ slightly from the Refrigerator described in this manual. If you have any question, contact us at 1-800-SAMSUNG or find help and information online at www.samsung.com.

What the icons and signs in this user manual mean :

| | |
|---|--|
|  WARNING | Hazards or unsafe practices that may result in severe personal injury or death. |
|  CAUTION | Hazards or unsafe practices that may result in minor personal injury or property damage. |
|  CAUTION | To reduce the risk of fire, explosion, electric shock, or personal injury when using your refrigerator, follow these basic safety precautions: |
|  | Do NOT attempt. |
|  | Do NOT disassemble. |
|  | Do NOT touch. |
|  | Follow directions explicitly. |
|  | Unplug the power plug from the wall socket. |
|  | Make sure the machine is grounded to prevent electric shock. |
|  | Call the service center for help. |

**These warning signs are here to prevent injury to you and others.
Please follow them explicitly
Keep this manual in a safe place for future reference.**

SEVERE WARNING SIGNS

-  **Do not plug several appliances into the same power receptacle.**
- Large appliances draw a lot of power. Powering more than one appliance or machine from a single power source could cause overheating and cause a fire.

Make sure that the power plug is not kinked or damaged by the back of the Refrigerator.

- A damaged power plug may overheat and cause a fire.

Do not spray water directly into or on the outside of the Refrigerator/Freezer drawer.

- Water could get into the interior machine parts and cause electric shock.

Do not use aerosols near the Refrigerator.

- Aerosols used near the Refrigerator may cause an explosion or fire.

Safety Information

Do not put undue stress on the power cord or place heavy articles on it.

- Placing heavy articles on the power cord may create the risk of explosion or fire.

Do not insert the power plug with wet hands.

- It may cause electric shock.

Do not put a container filled with water on the Refrigerator.

- If it spills, it may cause fire or electric shock.

Do not install the Refrigerator in a damp place or place where it may come in contact with water.

- Wet and/or deteriorated insulation of the internal electrical parts may cause electric shock or fire.

Do not store volatile or flammable substances in the Refrigerator.

- Storing benzene, thinner, alcohol, ether, LP gas and other such products may cause explosions.



Do not disassemble or repair the Refrigerator by yourself.

- You may run the risk of fire, appliance malfunctions and/or personal injury. Call your nearest service center for help from a qualified service technician.
- When the interior or exterior LED lamp has gone out, please contact your service agents.



Unplug the Refrigerator before changing the interior light.

- Changing the light while the Refrigerator is plugged in may cause electric shock.

If you wish to dispose of the Refrigerator, remove the doors and seals before throwing it away.

- The doors(and their seals) can entrap a child if they climb into the Refrigerator. Make sure that the doors are off, and ensure that no one is suffocated by being locked inside.



The Refrigerator must be safely grounded

- Always make sure that you have grounded the Refrigerator before attempting to investigate or repair any part of the appliance. Power leakages can cause severe electric shock.

Never use gas pipes, telephone lines or other potential lightning attractors as an electrical ground.

- Improper use of the grounding plug can result in a risk of electric shock. If it is necessary to use an extension cord to power the Refrigerator, use only a 3-wire extension cord that has a 3-blade ground plug and a 3-slot receptacle that will accept the plug on the appliance. The marked rating of the extension cord should be AC 115V~120V, 10A, or more. Additionally, if a grounding adapter is used, make sure the receptacle box is also fully grounded.

CAUTION SIGNS



Use good judgment when filling the Refrigerator with food and drinks.

- In an overfull Refrigerator, heavy, fragile, bulky or breakable items may fall out and cause personal injury and/or damage to surrounding objects.

Do not put bottles or glass containers in the Freezer drawer.

- When the contents freeze and then expand, the glass may break and cause personal injury or leave dangerous glass shards in the Freezer.

If the electrical wall socket is loose, do not insert the power plug.

- There is a risk of electric shock or fire. Have the plug looked at by a licensed electrician.



Never unplug your Refrigerator by pulling on the power cord.

- Always grip the power cord firmly and pull straight out from the outlet. Yanking or pulling on the power cord may cause a short-circuit, fire and/or electric shock.
- A damaged power cord must be replaced by the manufacturer, a certified service agent or qualified service personnel.

Do not store articles on the top of the appliance.

- When you open or close the door, the articles may fall and cause personal injury and /or damage to surrounding objects.

Do not store pharmaceutical products, scientific materials and temperature-sensitive products in the refrigerator.

- Products that require exact temperature controls should not be stored in the Refrigerator.



CAUTION

Do not allow children to climb, stand or hang on shelves and handles of the Refrigerator. They could damage the Refrigerator and seriously injure themselves. Do not sit on the freezer door. The door may break. Do not allow children to climb into the freezer basket.



If you notice a chemical or burning plastic smell or see smoke, unplug the Refrigerator immediately and contact your Samsung Electronics Service Center.



After your Refrigerator is in operation, do not touch the cold surfaces in the Freezer compartment. Particularly when hands are damp or wet, skin may adhere to these extremely cold surfaces.

- Skin may stick to the surface and you may get frostbite.

Do not put your hands under the appliance.

- Any sharp edges may cause personal injury.

Safety Information

Never put fingers or other objects into the water dispenser hole or ice chute.

- It may cause personal injury and/or material damage.



If the Refrigerator will not be used for a long period of time (for example, over several months), unplug the power from the wall.

- Over time, deterioration in the power cord insulation may cause fire.



Do not use a wet or damp cloth when cleaning the plug.

Remove any dust or foreign matter from the power plug pins.

- A dirty power plug can increase the risk of fire.

If the Refrigerator is disconnected from the power supply, you should wait for at least five minutes before plugging it back in.



Do not place the refrigerator directly in sunlight.

The appliance must be positioned for easy access to power source.

If the power cord is damaged, it must be replaced by the manufacturer, a certified service agent or qualified service personnel.

If you have a long vacation planned, empty the Refrigerator and turn it off.

- Wipe excess moisture from the inside and leave the doors open to keep odor and mold from developing.



Service warranty and Modification

- Any changes or modifications performed by a 3rd party on this finished appliance is not covered under Samsung warranty service, nor can Samsung be responsible for safety issues that result from 3rd party modifications.



Children can get trapped inside Refrigerators.

Before you throw away your old Refrigerator or Freezer, make sure that you;

- Take off the doors.
- Leave all shelves in places so that children may not easily climb inside and shut the door while they are inside.



This appliance is not intended for use by small children or infirm persons without capable, adult supervision. Small children should be supervised when using the appliance.



Do not block air holes

- If the air holes are blocked, especially with a plastic bag, the refrigerator can be over cooled. If this cooling period lasts too long, the water filter may break and cause water leakage.

Contents

SETTING UP YOUR FRENCH DOOR REFRIGERATOR

08

- 08 Getting ready to install the refrigerator
- 09 Removing the refrigerator doors
- 11 Disassemble the Freezer Drawer
- 12 Reattaching the refrigerator doors
- 14 Assemble the Freezer Drawer
- 15 Adjusting the doors
- 16 Making minor adjustments between doors
- 17 Adjusting the freezer drawer level
- 18 Checking the water dispenser line
- 19 Installing the water line

OPERATING YOUR SAMSUNG FRENCH DOOR REFRIGERATOR

21

- 21 Using the control panel
- 22 Using the Digital display
- 24 Using the cold water dispenser
- 26 Parts and Features
- 27 Storing food in the refrigerator
- 27 Storing food in the freezer drawer
- 28 Using the Cool Select Pantry™
- 29 Removing the refrigerator accessories
- 30 Using the doors
- 30 Using the tilting pocket
- 31 Removing the freezer accessories
- 32 Cleaning the refrigerator
- 33 Changing the interior lights
- 34 Changing the water filter
- 35 Water Filter Chart
- 36 Water Filter Certification
- 37 Food Storage Tips

TROUBLESHOOTING

39

- 39 Troubleshooting

WARRANTY

40

- 40 Warranty

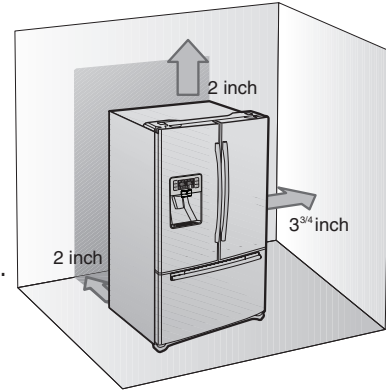
Setting up your French Door Refrigerator

GETTING READY TO INSTALL THE REFRIGERATOR

Congratulations on your purchase of the Samsung French Door Refrigerator. We hope you enjoy the state-of-art features and efficiencies that this new appliance offers.

Selecting the best location for the Refrigerator

- A location with easy access to the water supply.
- A location without direct exposure to sunlight.
- A location with level (or nearly level) flooring.
- A location with enough space for the Refrigerator doors to open easily.
- Allow sufficient space to the right, left, back and top for air circulation. If the Refrigerator does not have enough space, the internal cooling system may not work properly.
- Please ensure that appliance can be moved freely in the event of maintenance & service.

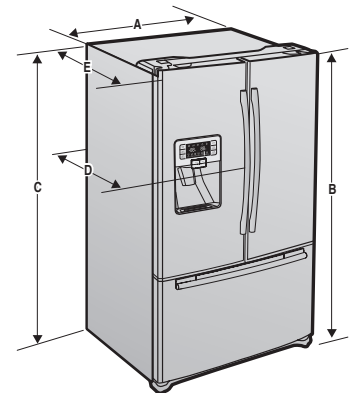


If your refrigerator has an ice maker, allow extra space at the back for the water line connections. When you install the refrigerator next to a fixed wall, minimum clearance is 3 3/4" (95mm) between the refrigerator and wall to allow the door to swing open.

First thing! Make sure that you can easily move your Refrigerator to its final location by measuring doorways (both width and height), thresholds, ceilings, stairways, etc.

The following chart details the exact height and depth of Samsung French Door Refrigerator.

| MODEL | | RFG297** | |
|--------------------------|-------------|-------------------|-----------------|
| Dimension (inches/mm) | Width (A) | | 35 5/8 (912mm) |
| | Case Height | with Hinge (B) | 69 7/8 (1775mm) |
| | | without Hinge (C) | 68 1/8 (1730mm) |
| | Depth | with Door (D) | 35 7/8 (912mm) |
| | | without Door (E) | 28 7/8 (734mm) |



- Allow clearance to the right, left, back and top when installing. This will help reduce power consumption and keep your energy bills lower.
- Do not install the Refrigerator where the temperature will go below 50°F (10°C).

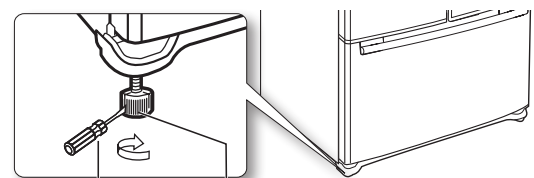


When moving your refrigerator

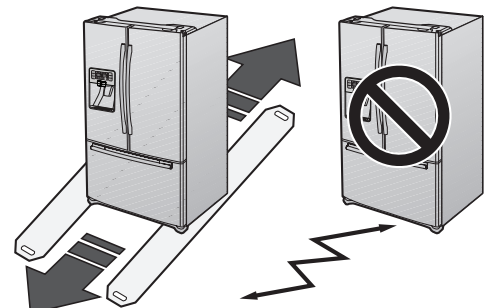
To prevent floor damage be sure the front leveling legs are in the up position (above the floor). Refer to 'Leveling the refrigerator' in the manual (at page 15)

FLOORING

For proper installation, this refrigerator must be placed on a level surface of hard material that is the same height as the rest of the flooring. This surface should be strong enough to support a fully loaded refrigerator, or approximately 660lbs(299kg). To protect the finish of the flooring, cut a large section of the cardboard carton and place under the refrigerator where you are working. When moving, be sure to pull the unit straight out and push back in straight.



Screwdriver(-) Control Lever



SETTING UP THE REFRIGERATOR

Now that you have your new Refrigerator installed in place, you are ready to set up and enjoy the features and functions of the appliance. By completing the following steps, your Refrigerator should be fully operational.

1. Place the Refrigerator in an appropriate location with reasonable clearance between the wall and the Refrigerator. Refer to installation instructions in this manual.
2. Once the Refrigerator is plugged in, make sure the interior light comes on when you open the doors.
3. Set the Temperature control to the coldest temperature and wait for an hour. The Freezer will get slightly chilled and the motor will run smoothly.
4. After powering the Refrigerator, it will take a few hours to reach the appropriate temperature. You can store food and drinks in the Refrigerator after the temperature is sufficiently cool.

 Check the accessory list below.



Water filter
(DA29-00003G)



Hex wrench
(DA80-00002C)



Fastener
(DA60-00143B)

REMOVING THE REFRIGERATOR DOORS

If the Refrigerator is too large to pass through your doorway easily, you can remove the refrigerator doors.

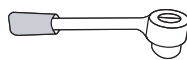
Tools you will need



Philips screwdriver



Flat-blade screwdriver



Wrench(10mm)



Pliers

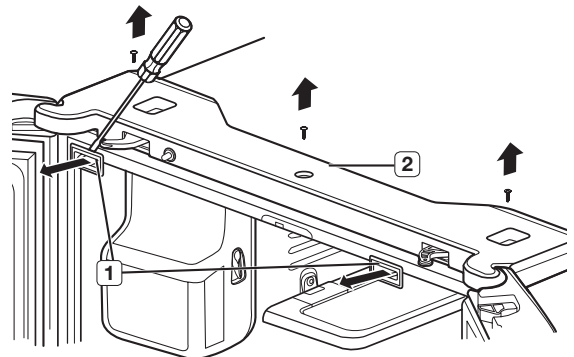


Allen wrench(3/16")
(5mm)

Disassemble the Refrigerator doors

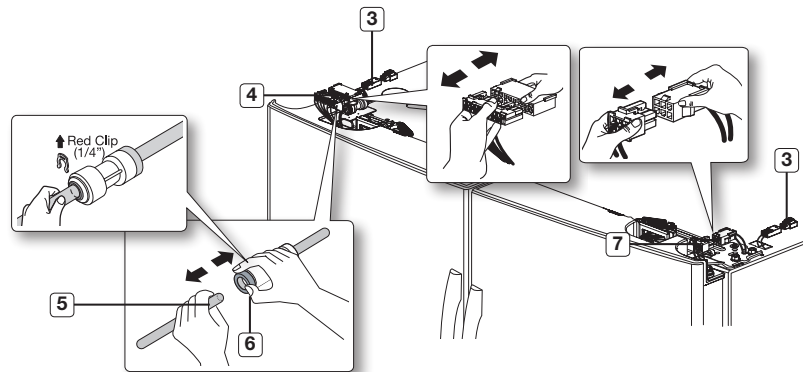
1. With the door opened, remove the Hinge Cover cap ((1)) with a Flat head screwdriver, and close the door.

Remove the 3 screws holding down the Hinge Cover and remove the Hinge Cover ((2)).



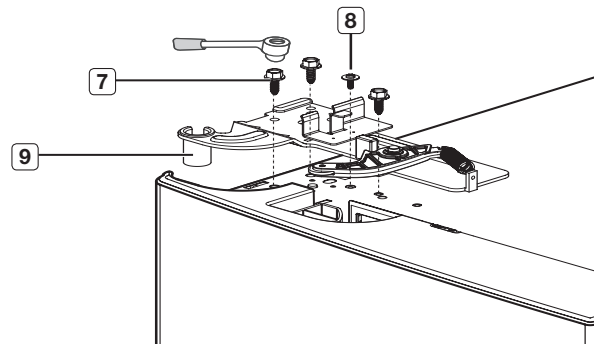
Setting up your French Door Refrigerator

2. Disconnect two connectors (3) at each side of the top cap, the one connector (7) on right side door and the other connector (4) on left side door. Remove the tube (5) with pressing the dark gray color part (6) of the water line coupler.

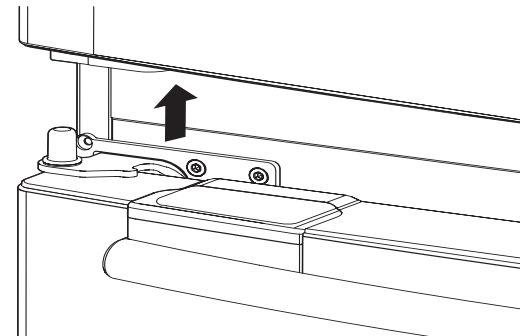


CAUTION If a red clip is on the coupler, it must be removed before removing the tube.

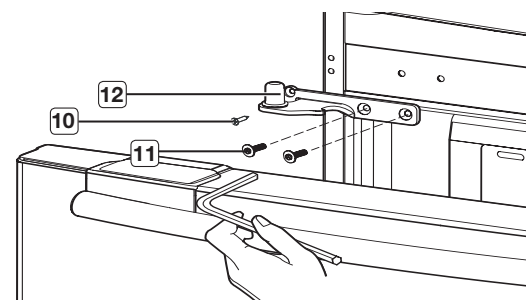
3. Remove the 3 hex head bolts (7) attached to the upper left and right door hinges with a wrench(10mm). With a Philips head screwdriver, remove the ground screw (8) attached to the upper left and right door hinges. Remove the upper left and right door hinges (9).



4. Lift the door straight up to remove.

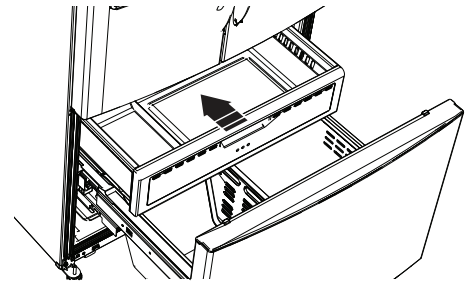


5. With a Philips head screwdriver, remove the screw (10) attached to the lower left and right door hinges. With a wrench(3/16"), remove the two hex head bolts (11) attached to the lower left and right door hinges. Remove the lower left and right door hinges (12).

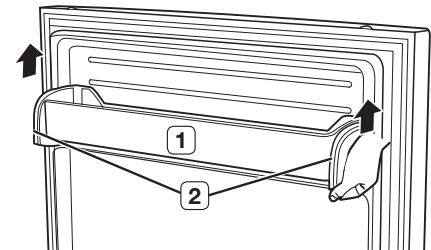


DISASSEMBLE THE FREEZER DRAWER

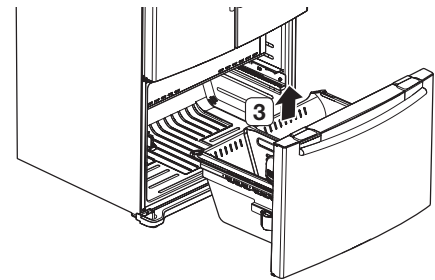
1. Take out the upper drawer by lifting it up.



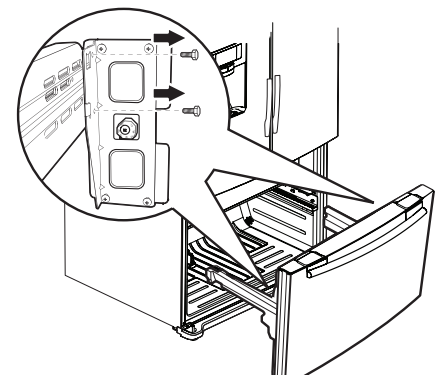
2. Remove the tilting pocket(**1**) by pulling both brackets(**2**) upward at the same time.



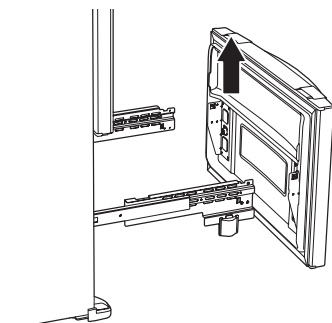
3. Take out the lower basket(**3**) by lifting the basket up from the rail system.



4. Remove four 10mm hex-head bolts from both sides.



5. Lift the freezer door up from the rails.

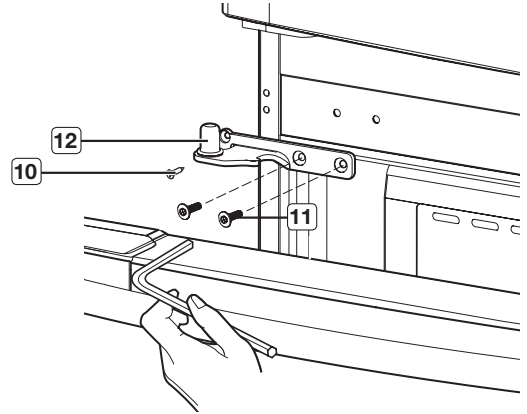


Setting up your French Door Refrigerator


REATTACHING THE REFRIGERATOR DOORS

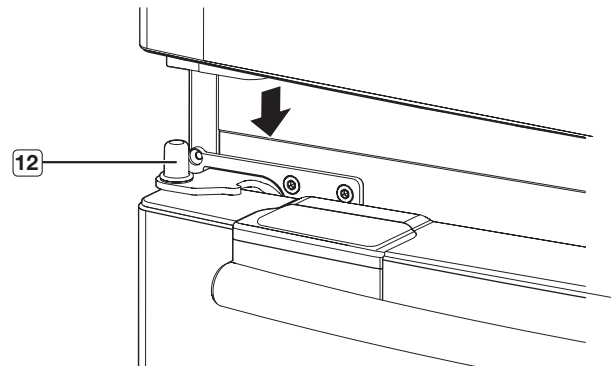
Assemble the Refrigerator doors

1. Reattach the lower left and right door hinges (12).
With a Philips head screwdriver, insert and tighten the screw (10) into the lower left and right door hinges.
With a wrench (3/16"), insert and tighten the 2 hex head bolts (11) into the lower left and right door hinges.

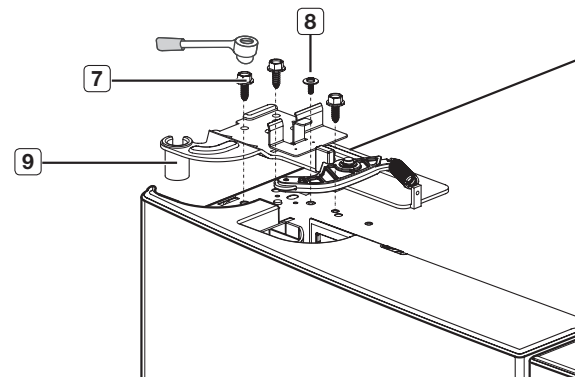


2. Place the hole in the bottom of the door over the lower hinge (12).

 Be careful not to miss the hinge cap because it can be easily taken off.



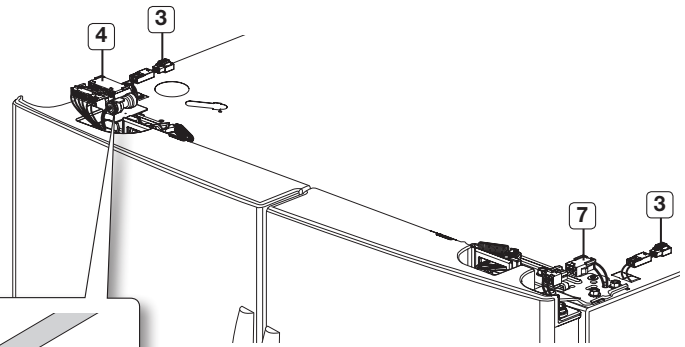
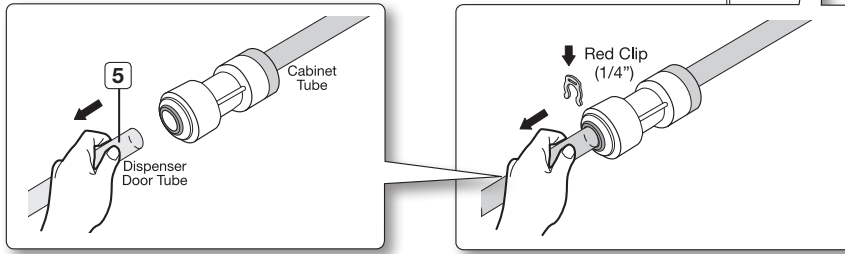
3. Insert the upper hinges (9) into the holes at the top of the doors.
With a wrench (10mm), insert and tighten the 3 hex head bolts (7) into the upper left and right door hinges.
With a Philips head screwdriver, insert and tighten the ground screw (8) into the upper left and right door hinges.




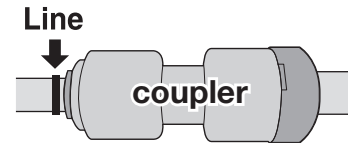
REATTACHING THE REFRIGERATOR DOORS

4. Connect the water line (5) and then insert a clip on the coupler with pulling tube. Connect the one connector (4) on left side door, the other connector (7) on right side door and two connectors (3) at each side of the top cap.


 The clip is enveloped inside of the top cap.

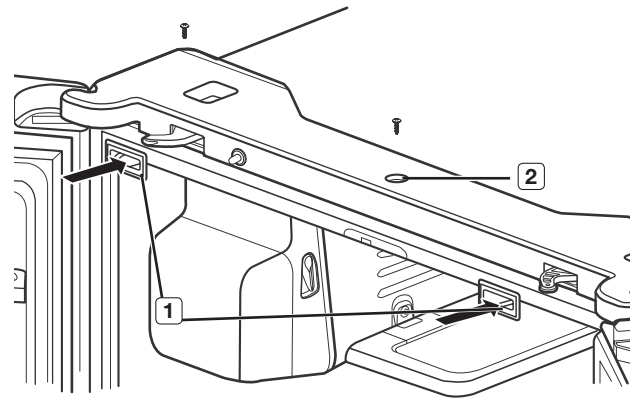


 **CAUTION** The water line (5) must be fully inserted to the marked line to prevent water leakage from the dispenser.



5. Position the Top Table (2) in place. With a philips head screwdriver, insert and tighten the 3 screws into the Hinge Cover. With the door opened, reinsert the Hinge Cover cap (1) and close the doors.

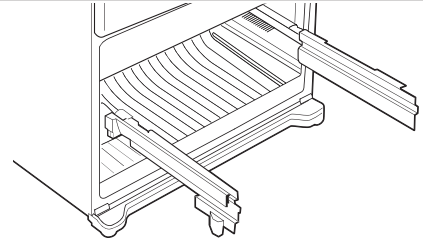
 When reattaching the hinge cover, make sure that the wires are not pressed or damaged by the hinge cover.



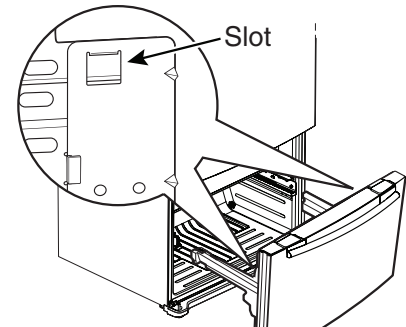
Setting up your French Door Refrigerator

ASSEMBLE THE FREEZER DRAWER

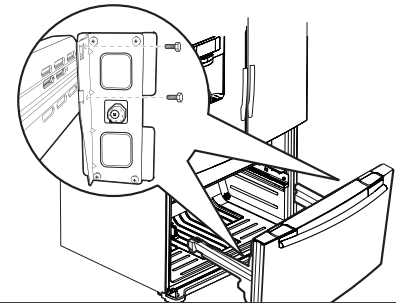
1. Pull out the rails fully on each side of the cabinet.



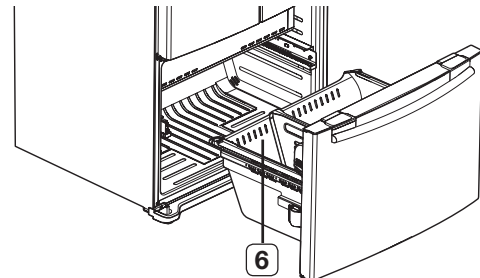
2. Attach the freezer door front onto the open slots on the sides.



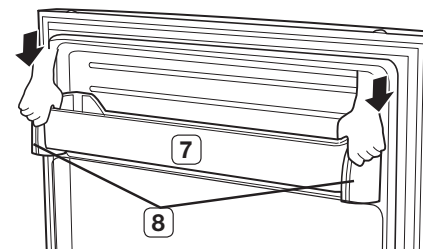
3. Tighten 4 hex head bolts completely with a socket wrench(10mm).




4. Insert the lower basket (6) into the rail system.

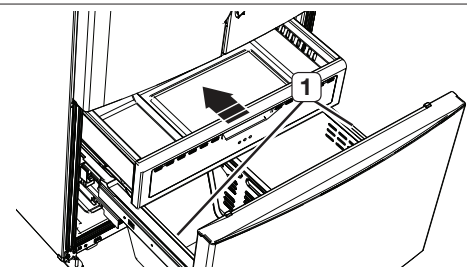


5. Hook the ends of the tilting pocket (7) onto the support guard and push down until they lock into place.



6. Insert the upper drawer.

-  Remove 2 pieces of tape (1) attached to the side of the drawer bin. Reattach the tape in the same position when moving the refrigerator to prevent scratching the drawer bin.

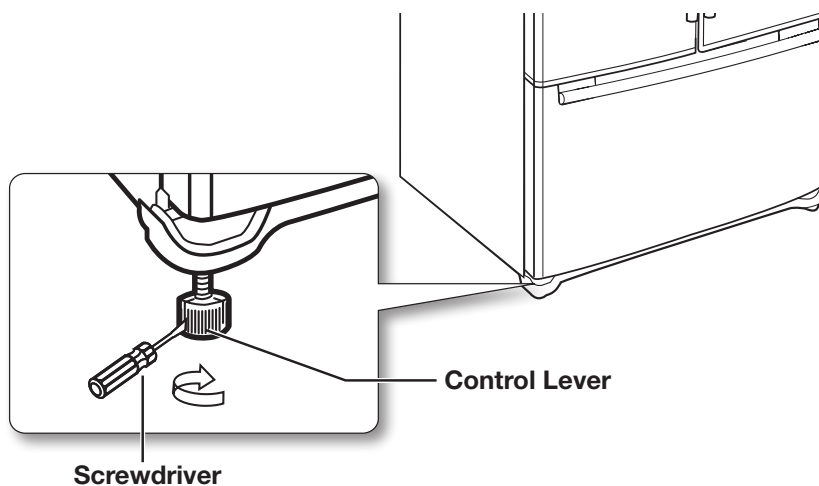


ADJUSTING THE DOORS

Now that the doors are back on the Refrigerator, you want to make sure the Refrigerator is level so that you can make final adjustments. If the Refrigerator is not level, it will not be possible to get the doors perfectly even.

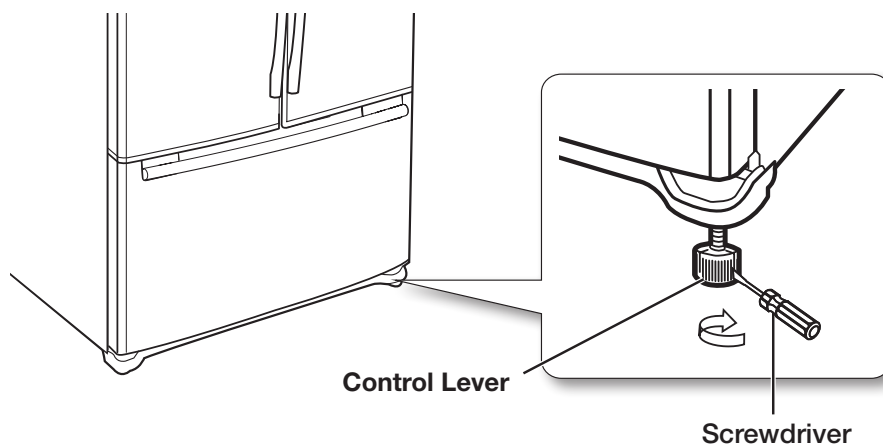
When the Left door is lower than the Right door.


Insert a flat-blade screwdriver into a notch on the left control lever, turn it clockwise or counter-clockwise to level the left door.



When the Left door is higher than the Right door.

Insert a flat-blade screwdriver into a notch on the right control lever, turn it clockwise or counter-clockwise to level the right door.

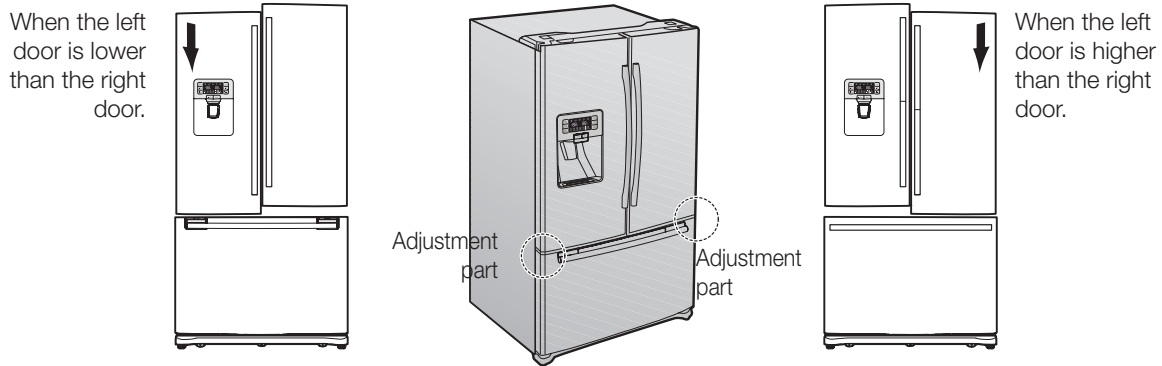


 We do not recommend making small adjustments with the control lever. Instead, refer to the next page for the best way to make minor adjustments to the doors.

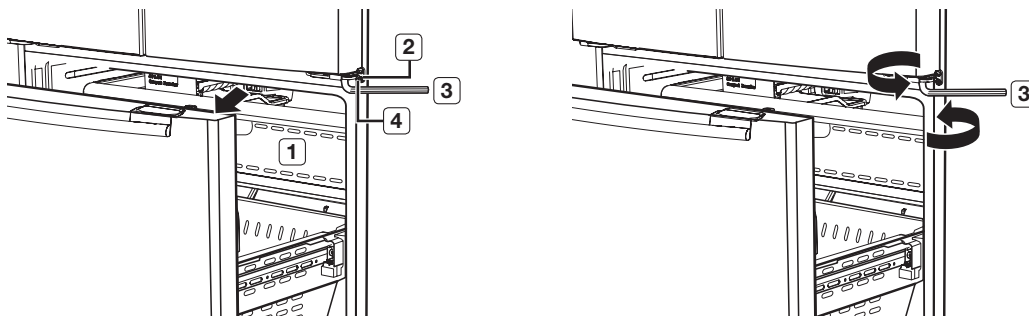
Setting up your French Door Refrigerator

MAKING MINOR ADJUSTMENTS BETWEEN DOORS

Remember a level Refrigerator is necessary for getting the doors perfectly even. If you need help, review the previous section on leveling the Refrigerator.

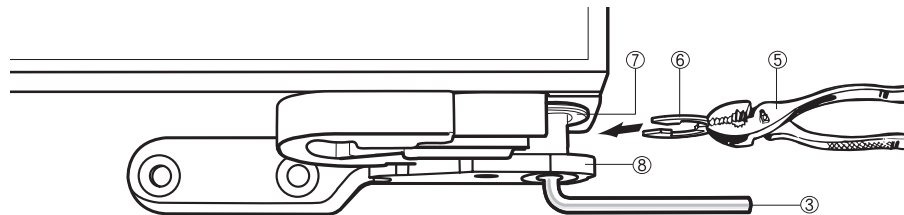



1. If you open the drawer (1), you can see the lower hinge (2).
2. Insert the supplied hex wrench (3) into the shaft (4) of the lower hinge.
3. Please adjust the height by turning the hex wrench (3) clockwise (↻) or counter-clockwise (↺).



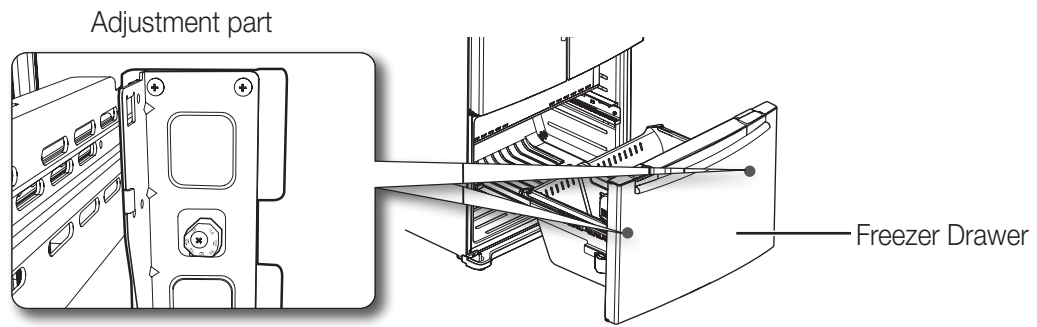
 When you turn the hex wrench counter-clockwise(↺), the door will move up.

1. After adjusting the doors, please insert the supplied fastener-ring (5) using a pair of pliers (6) in the gap between the hinge-grommet (7) and the lower hinge (8). The number of fastener-rings you'll need to insert depends on the gap.

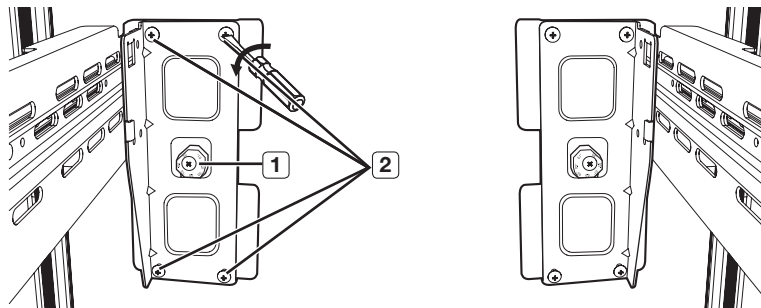


 Two fastener-rings are enclosed with the refrigerator.
The thickness of each fastener-ring is 0.04 inch.

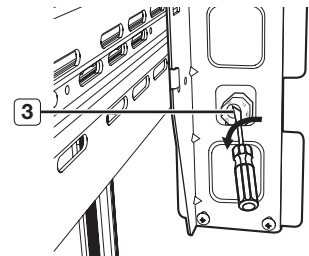
ADJUSTING THE FREEZER DRAWER LEVEL



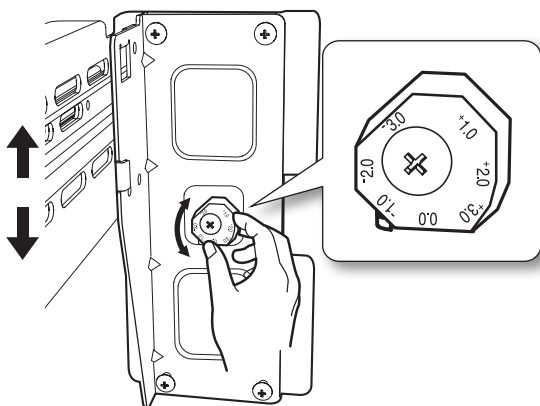
1. Locate the height-adjuster (1) in the freezer drawer.
Unscrew the four Phillips screws (2) slightly to loosen the door.



2. Loosen the controller screw (3) with a Phillips screwdriver.



3. Find the best level to align the door slope.



Example) The slope is about 2mm (0.08inch) as shown below.

Slope

Reference plane

- Rotate the Height Adjuster to -2.0 to reduce the door slope.

→ After adjustment, first tighten screw (3) and then screw (2) .

Setting up your French Door Refrigerator

CHECKING THE WATER DISPENSER LINE


A water dispenser is one of the helpful features on your new Samsung Refrigerator. To help promote better health, the Samsung water filter removes unwanted particles from your water. However, it does not sterilize or destroy microorganisms. You may need to purchase a water purifying system to do that.

In order for the ice maker to operate properly, a water pressure of 20~125 psi (pound per square inch) is required.

Under normal conditions, a 170 cc (5.75 oz.) cup can be filled in 10 seconds.

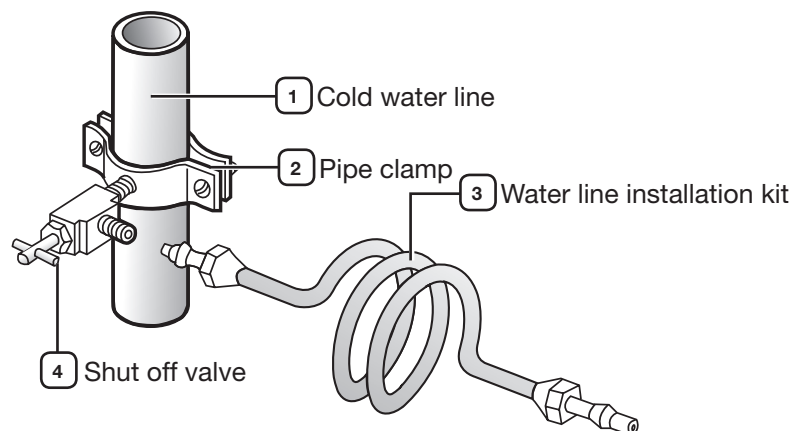
If the Refrigerator is installed in an area with low water pressure (below 20psi), you can install a booster pump to compensate for the low pressure.

Make sure the water storage tank inside the Refrigerator is properly filled. To do this, press the water dispenser lever until the water runs from the water outlet.

 Water line installation kits are available at extra cost from your dealer. We recommend using a water supply kit that contains copper tubing.

Connecting to the water supply line

1. First, shut off the main water supply line and turn the ice-maker off.
2. Locate the nearest cold water drinking line.
3. After connecting the water supply with water filter, turn on water supply and Flush 3 gallons through filter before use (flush approximately 6 minutes).

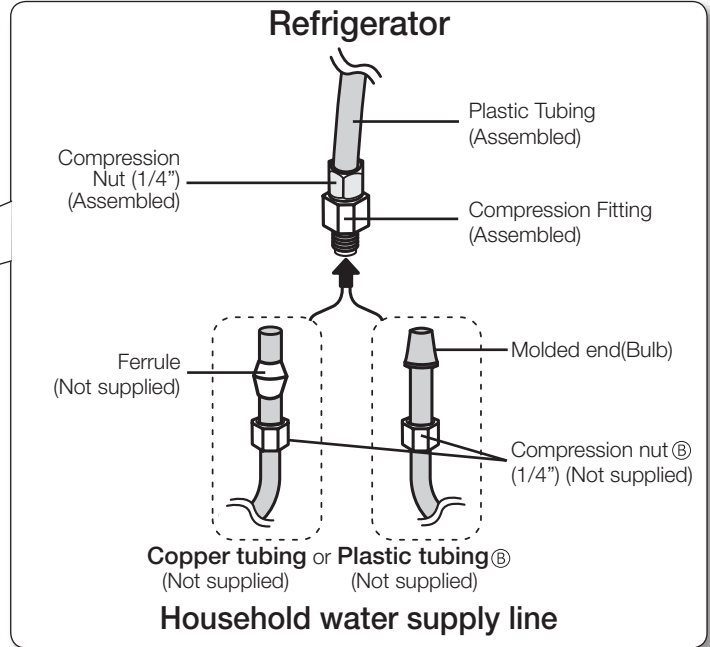
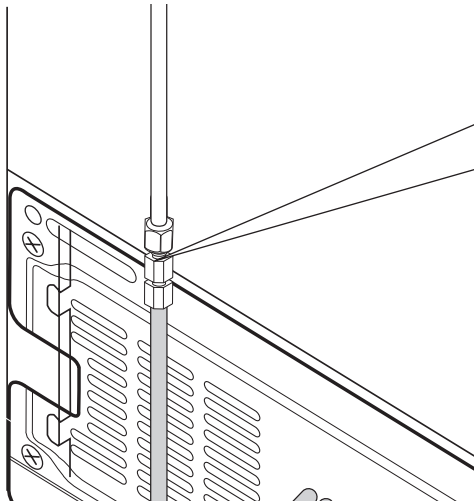


INSTALLING THE WATER LINE

Connecting the water line to the Refrigerator.

There are several items that you need to purchase to complete this connection. You may find these items sold as a kit at your local hardware store.


- 1/4" compression nut
- copper tubing
- plastic tubing
- ferrule



1. Connect the household water line to the assembled compression fitting.
 - If you are using copper tubing, slip the compression nut ® (not included) and ferrule (not included) on copper tubing (not included) as shown.
 - If you are using plastic tubing ®, insert the molded end(Bulb) of the plastic tubing ® into the compression fitting.

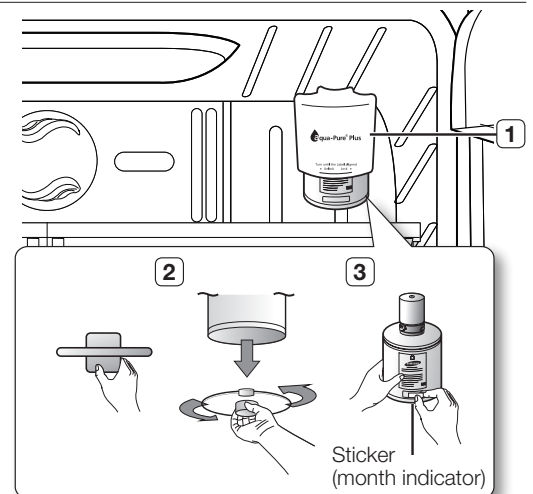
CAUTION Do not use without the molded end(Bulb) of the plastic tubing ®.

2. Tighten the compression nut ® onto the compression fitting. Do not over-tighten the compression nut ®.
3. Turn water on and check for any leakage.

 Only connect the water line to a drinkable water source. If you have to repair or disassemble the water line, cut off 1/4" of the plastic tubing to make sure you get a snug, leak-free connection.

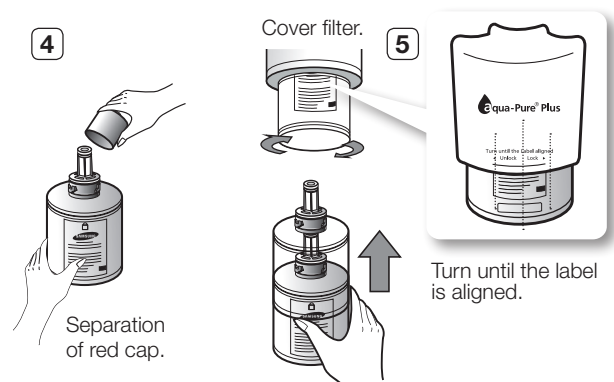
Installing the water filter.

1. Remove the water filter cover(1)
2. Remove the fixed cap by turning it counter clockwise. Keep the cap in a safe place for later use if you don't use the filter.
3. Remove the water filter from the box and put a replacement indicator sticker on the filter as shown. Place the sticker on the filter that dates six months in the future. For example, if you install the water filter in March, put the "SEP" sticker on the filter to remind you to replace it in September. That way you'll know when it is time to replace the filter. Normally, a filter life is about 6 months.



Setting up your French Door Refrigerator

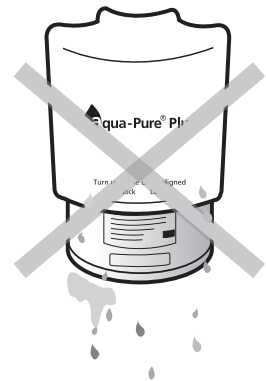
4. Remove the filter cap and insert the filter into the filter housing.
5. Slowly turn the water filter 90° clockwise to align with the printing mark on the cover, locking the filter in position. Make sure to align the water filter label mark with center of cover filter printing as illustrated. Remember, do not over-tighten.




 You should remove the right side upper glass shelf before installing the water filter.

Removing any residual matter inside the water supply line after installing the water filter.

1. Turn ON the main water supply & turn OFF the valve to the water supply line.
2. Run water through the dispenser until the water runs clear (approx. 6-7minutes). This will clean the water supply system and remove air from the lines.
3. Additional flushing may be required in some households.
4. Open the Refrigerator door and make sure there are no water leaks coming from the water filter.



 Be sure to flush the dispenser thoroughly or water may from it. This is due to the fact that there is still air in the line.

Reverse Osmosis Water Supply

IMPORTANT : The pressure of the water supply coming out of a reverse osmosis system going to the water inlet valve of the refrigerator needs to be between 35 and 120 psi (241 and 827 kPa).

If a reverse osmosis water filtration system is connected to your cold water supply, the water pressure to the reverse osmosis system needs to be a minimum of 40 to 60 psi (276 to 414 kPa.)

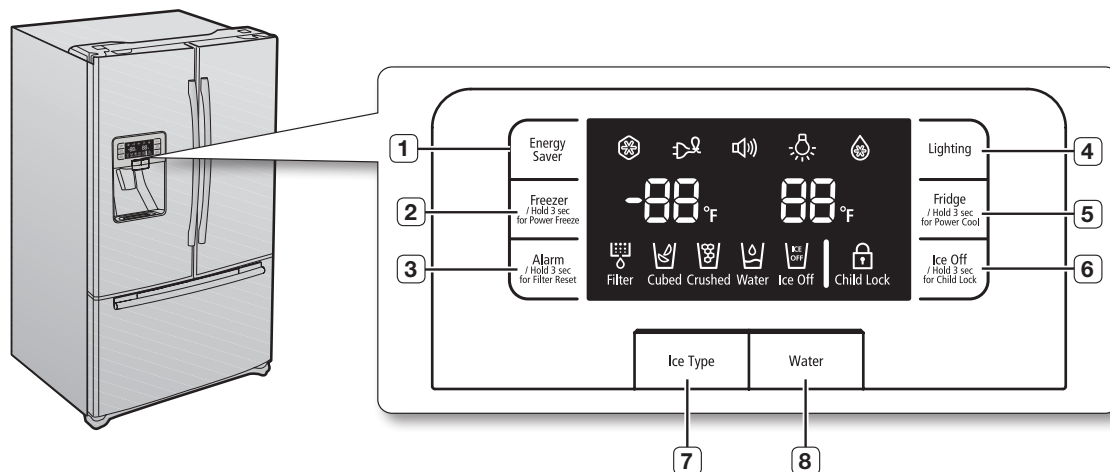
If the water pressure to the reverse osmosis system is less than 40 to 60 psi (276 to 414 kPa):

- Check to see whether the sediment filter in the reverse osmosis system is blocked. Replace the filter if necessary.
- Allow the storage tank on the reverse osmosis system to refill after heavy usage.
- If your refrigerator has a water filter, it may further reduce the water pressure when used in conjunction with a reverse osmosis system. Remove the water filter.

If you have questions about your water pressure, call a licensed, qualified plumber.

Operating your SAMSUNG French Door Refrigerator

USING THE CONTROL PANEL

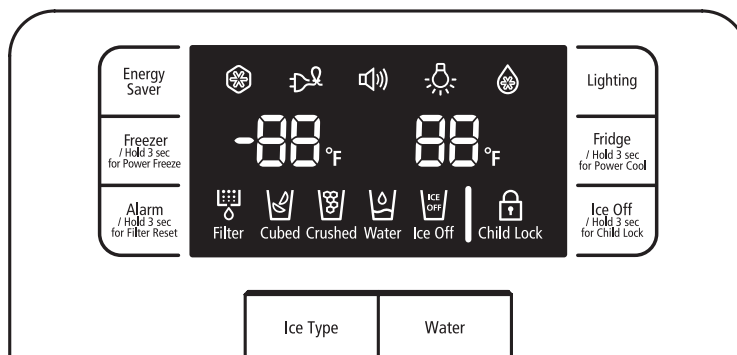


| | |
|--|---|
| (1) Energy Saver Button | For better energy efficiency, press the Energy Saver button. If condensation occurs on the doors, turn the Energy Saver function off. |
| (2) Freezer/Hold 3 sec for Power Freeze Button | Press the Freezer/Hold 3 sec for Power Freeze button to set the Freezer to your desired temperature. You can set the temperature between 8°F and -8°F. Press and hold the Freezer/Hold 3 sec for Power Freeze button for 3 seconds, to speed up the time needed to freeze products in the Freezer. It can be helpful if you need to quickly freeze easily spoiled items or if the temperature in the Freezer has warmed dramatically (For example, if the door was left open). |
| (3) Alarm/Hold 3 sec for Filter Reset Button | Press the Alarm button to turn off the door open alarm. After removing the old water filter and installing a new one, reset the Indicator by pressing and holding the "Alarm" button for 3seconds. The indicator will light again in about 6months to let you know it is Time to change your water filter. |
| (4) Lighting Button | Press the Lighting button to turn on the Dispenser LED lamp. |
| (5) Fridge/Hold 3 sec for Power Cool Button | Press the Fridge/Hold 3 sec for Power Cool button to set the fridge to your desired temperature. You can set the temperature between 34°F and 46°F. Press and hold the Fridge/Hold 3 sec for Power Cool button for 3 seconds, to speed up the time needed to cool products in the Refrigerator. It can be helpful if you need to quickly cool easily spoiled items or if the temperature in the fridge has warmed dramatically (For example, if the door was left open). |
| (6) Ice Off / Hold 3 sec to Child Lock | Press the Ice Off button to turn the ice making function off. If you press and hold the Ice Off button for 3 seconds, the Display and Dispenser will be locked. |
| (7) Ice Type Button | Press the Ice Type button to select your desired ice type. Cubed and crushed ice modes will be alternatively changed whenever you press the button. After selecting, push the Dispenser Lever gently with your glass. This mode can not be used with the Water mode simultaneously. |
| (8) Water Button | Press the Water button to dispense water. There is no Off mode additionally. After selecting, push the Dispenser Lever gently with your glass. This button can not be used with the Ice Type button simultaneously. Water mode will be off if you press the Ice Type button. |
| (1),(2) COOLING OFF | Cooling off stops cooling in the freezer and refrigerator compartments, but does not shut off electrical power to the refrigerator. To use this feature , press Energy Saver Button and Freezer/Hold 3 sec for Power Freeze Button simultaneously for 3 seconds until an alarm sound is heard. To cancel this mode, press the same buttons again for 3 seconds. Even though power is turned off and then back on, it remain in Cooling off mode. |

Operating your SAMSUNG French Door Refrigerator

USING THE DIGITAL DISPLAY

When not in use the Display will turn off not in use, this is normal.



Power Freeze

This icon will light up when you activate the “**Power Freeze**” feature. “**Power Freeze**” is great when you need a lot of ice.

When you have enough ice, just press the button again to cancel the “**Power Freeze**” mode.

If you select “**Power Freeze**”, the inside temperature of the Freezer will decrease for about two and a half hours.

Cubed Ice , Crushed Ice , Water

Enjoy cubed or crushed ice by selecting your preference from the digital control panel. If you don't need ice, turn the feature off to save on water and energy consumption. Each Ice type icon will light up depending on what is currently chosen.

Power Cool

This icon will light up when you activate the “**Power Cool**” button. For a quick fridge cool down, use “**Power Cool**”.

If you select “**Power Cool**”, the inside temperature of the Fridge will decrease for about two and a half hours.

Filter Indicator

When the filter indicator light is on, it is time to change the filter. Typically this happens about every 6 months.


The filter Indicator will be Blue when you initially insert the water filter.

The filter Indicator will be Light Pink when you have used your water filter for 5 months.

The filter Indicator will be Red when you have used your water filter for 6 months.

After removing the old water filter and installing a new one (see page 34 for instructions on how to do this), reset the indicator by pressing and holding the “Alarm/Hold 3 sec for Filter Reset” button for 3 seconds.

Cooling off Mode (“OF & OF” code on the display)

 This function is for store display refrigerators. It is not for customer use.

 In Cooling Off Mode, the refrigerator works but doesn't make cool air. To cancel this mode, press the Energy Saver and Freezer buttons at the same time for 3 seconds until a “Ding-dong” sound is heard and the unit will now cool.

Energy saver

This icon will light up when you activate the “Energy Saver” function. The Energy Saver function is automatically set to “ON” when power is supplied to the Refrigerator. If condensation occurs on the doors, turn the Energy Saver function off.

Lighting

This icon will light up when you activate the “Lighting” feature. In this case, the dispenser light (under the display) will be on constantly. If you would like the dispenser light to come on only when using the dispenser, turn the “Lighting” feature off.

Alarm

This icon will light up when you activate the “Alarm” feature. The door alarm will sound if any door is open for more than 3 minutes. The beeping stops when you close the door. Initially the Alarm is set to on.

Ice off

This icon will light up when you activate the “Ice Off” feature. In this case, the ice will not be produced.

Lock

This icon will light up when you activate the “Lock” feature. In this case, you won’t be able to use the control panel. If you press and hold the Ice Off/Hold button for 3 sec to unlock Child Lock, you will be able to use the control panel again.

USING THE CONTROL PANEL

Basic temperature of Freezer and Refrigerator Compartments

The basic temperature and recommended temperature of Freezer and Refrigerator Compartments are -2°F and 38°F respectively. If the temperature of Freezer and Refrigerator Compartments are too high or low, adjust the temperature manually.

Controlling the Freezer temperature


The Freezer temperature can be set between 8°F and -8°F to suit your particular needs. Press the Freezer button repeatedly until the desired temperature is shown in the temperature display. Keep in mind that foods like ice cream may melt at 4°F. The temperature display will move sequentially from -8°F to 8°F. When the display reaches 8°F, the temperature display goes back to -8°F.

Controlling the Refrigerator temperature

The Refrigerator temperature can be set between 46°F and 34°F to suit your particular needs. Press the Fridge button repeatedly until the desired temperature is shown in the temperature display.

The temperature control process for the Fridge works just like the Freezer process.

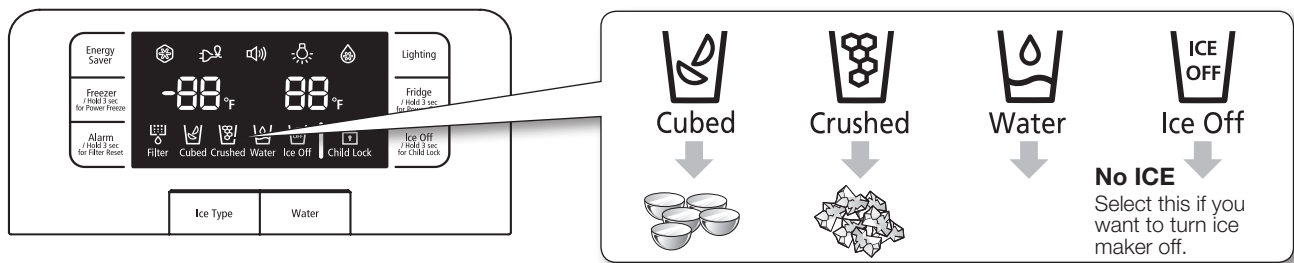
Press the Fridge button to set your desired temperature. After a few seconds, the Fridge will begin adjusting towards the newly set temperature. This will be reflected in the digital display.

-  - The temperature of the Freezer, Refrigerator or Pantry Room may rise when you open the doors too frequently, or if a large amount of warm or hot food is placed inside.
 - This may cause the digital display to blink. Once the Freezer and Refrigerator temperature return to their normal set temperatures, the blinking will stop.
 - If the blinking continues, you may need to “reset” the Refrigerator. Try unplugging the appliance, wait for around 10 minutes and then plug the power cord back in.
 - The temperature of the Pantry Room may be a little different according to the location inside.
 - If communication between Display and Main Controller errors, Pantry Display light may blink. Once the communication return to their normal set temperatures, the blinking will stop.
- If the blinking continues for a long period of time, please contact to Samsung Electronics Service Center.

Operating your SAMSUNG French Door Refrigerator

USING THE COLD WATER DISPENSER

Press the Ice / Water button to select the type of you want



Using the ice Dispenser

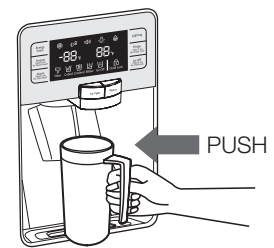
Place a glass underneath the ice dispenser and push gently against the dispenser lever with your glass. Make sure the glass is in line with the dispenser to prevent the ice from bouncing out.



Please wait 2 seconds before removing the glass under the dispenser to prevent spills. If the Refrigerator door opens, the Dispenser does not work.



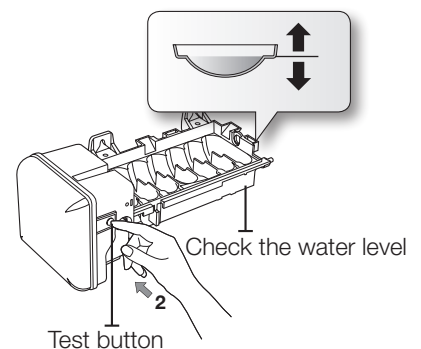
- When Cubed Ice is selected after using the Crushed Ice feature, a small amount of residual crushed ice might be produced.
- Water Dispenser Installation
After installation, press the dispenser arm for at least 2 minutes to remove trapped air from the water line and to fill the water system.



- In case ice doesn't come out, pull out the ice bucket and press test button located on the right side of ice maker.
- Do not press the test button continuously when the tray is filled with ice or water as illustration. Water may overflow or ice jamming may occur.
- Normal Use

To fill ice bucket to maximum capacity after installation, make sure to do the following steps.

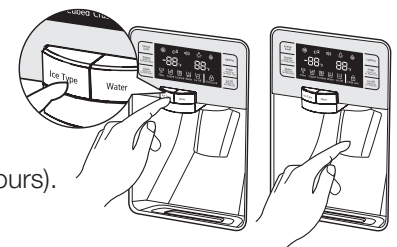
1. Allow your refrigerator to operate and cool down for 24 hours (or 1 full day).
2. Waiting 24 hours will allow your ice maker to cool properly.
3. Dispense 4 to 6 ice cubes into the glass.
4. After 8 and 16 hours, dispense a full glass of ice at each time.



When you dump the ice from the ice bucket, you should press the dispenser lever once with 'ICE CUBED' or 'CRUSHED' function ON to get new ice faster after replacing the ice bucket in the refrigerator.



Whenever all ice is used at one time, the above step 3 and 4 must be repeated (before dispense the first 4 to 6 ice cubes, it needs waiting 8 hours). This will replenish the ice cubes and ensure maximum ice production.



Using the water dispenser

Place a glass underneath the water outlet and push gently against the water dispenser lever with your glass. Make sure the glass is in line with the dispenser to prevent the water from splashing out.

If you have just installed the refrigerator or installed a new water filter, Flush 3 gallons through filter before use (flush approximately 6 minutes). Make sure that water flows clearly again before drinking.



CAUTION

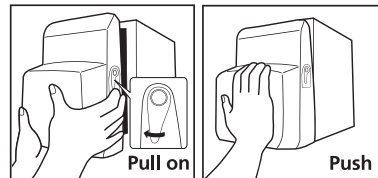
When you do not use the water dispenser for 2~3 days (especially during the summer), the dispensed water may have a funny smell or taste.

If this occurs, we recommend that you discard the first 1~2 glasses for better tasting water.

Using the ice off Function

When selecting the Ice Off mode, remove all ice cubes from the bucket. If you are not using the ice dispenser, the ice cubes may clump together. Pull the lock lever forward to throw away ice cubes or remove clumped ice from the bucket.

Push the bucket back until you hear a click.



CAUTION

If you have a long vacation or business trip, close the water valve and shut off the water supply to the Refrigerator. This will help prevent accidental leakages.

Do not put your fingers, hands or any other unsuitable objects in the chute or ice-maker bucket.

- It may result in personal injury or material damage.

Never put your finger or any other objects in the dispenser opening.

- It may cause injury.

Do not disassemble the Ice Maker personally. It may cause disorder.

Do not wash or spray the ice bucket with water.

Just wipe it with a dry cloth. In order to operate the ice maker properly, water pressure of 138~862 Kpa is required.



Water clouding phenomenon

All water provided to refrigerators flows through the core filter which is an alkaline water filter. In this process, the pressure in the water that has flowed out of the filter gets increased, and oxygen and nitrogen become saturated. When this water flows out in the air, the pressure plummets and the oxygen and nitrogen get supersaturated so that they turn into gas bubbles. The water could look misty due to these oxygen bubbles. The water may look temporarily cloudy due to these oxygen bubbles. After a few seconds, the water will look clear.

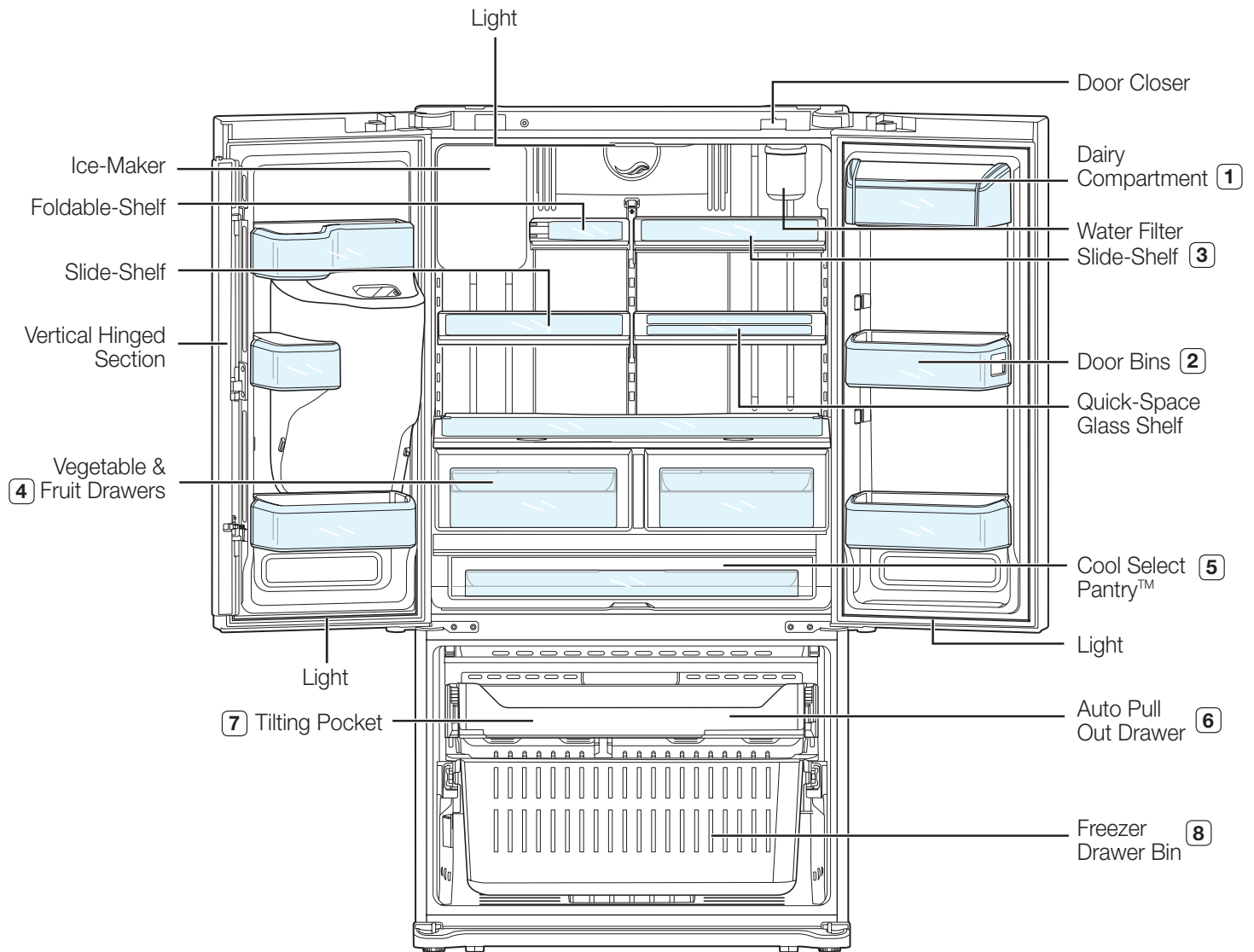


Please wait 1 second before removing the cup after dispensing water to prevent spills. Do not pull out the lever dispenser after taking out ice or water. It comes back automatically. Ice is made in cubes. When you select "Crushed", the icemaker grinds the ice cubes into crushed ice.

Operating your SAMSUNG French Door Refrigerator

PARTS AND FEATURES

Use this page to become more familiar with the parts and features of the Refrigerator.



 When closing the door, make sure the Vertical Hinged Section is in the correct position to avoid scratching the other door.

If the Vertical Hinged Section is reversed, put it back to the right position and close the door.

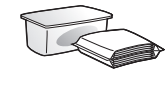

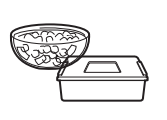


Moisture may occur at times on the Vertical Hinged Section.


The door handle may become loose over time. If this happens, tighten the bolts found on the inside of the door.

If you close one door with a lot of force, the other door may open.


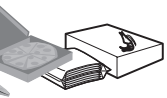

STORING FOOD IN THE REFRIGERATOR



The Samsung French Door Refrigerator has been designed to provide you with maximum space saving features and functions. Here are some of the customized compartments we have created to keep your food fresher longer. In order to further prevent odor from seeping into the ice compartment, stored food should be wrapped securely and as airtight as possible.

| | | |
|-------------------------------|---|--|
| (1) DAIRY COMPARTMENT | Can be used to store small dairy items like butter or margarine, yogurt or cream cheese bricks |  |
| (2) DOOR BINS | Designed to handle large, bulky items such as gallons of milk or other large bottles and containers. |  |
| (3) TEMPERED GLASS SHELVES | Designed to be crack-resistant, the shelves can be used to store all types of food and drinks. Circular marks on the glass surface are a normal phenomenon and can usually be wiped clean with a damp cloth. |  |
| (4) VEGETABLE & FRUIT DRAWERS | Used to preserve the freshness of your stored vegetables and fruits. This drawer has been specifically designed to control the level of humidity within the compartment. Keep vegetables and fruits separate when possible. |  |
| (5) COOL SELECT PANTRY™ | Can be used for large party trays, deli items, pizza, beverages or miscellaneous items. |  |

-  Do not place any large articles of food under the lamp in the Refrigerator. An air sensor is located near the lamp and if the sensor is blocked, your Refrigerator may become too cold. Please place Vegetable and Fruits in the Vegetable and Fruits drawers to avoid freezing them. If the food in your Refrigerator becomes frozen, please set the temperature higher.

STORING FOOD IN THE FREEZER DRAWER

| | | |
|--------------------------|---|---|
| (6) AUTO PULL OUT DRAWER | Best used to store meats or dry foods. Stored food should be placed in a container or wrapped securely using foil or other suitable wrapping materials. |  |
| (7) TILTING POCKET | Can be used for small packages of frozen food. You can store a 16" pizza. |  |
| (8) FREEZER DRAWER BIN | Can be used to store meat and dry foods. Stored food should be placed in a container or wrapped securely using foil or other suitable wrapping materials. |  |

-  Bottles should be stored tightly together so that they do not tip and fall out when the Refrigerator door is opened.
-  If you plan to go away for a long time, empty the Refrigerator and turn it off. Wipe the excess moisture from the inside of the appliance and leave the doors open. This helps keep odor and mold from developing.

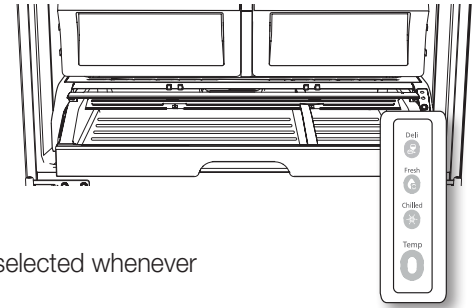
Operating your SAMSUNG French Door Refrigerator

USING THE COOL SELECT PANTRY™

The Cool Select Pantry™ is a full-width drawer with adjustable temperature control. This pantry can be used for large party trays, deli items, pizza, beverages or miscellaneous items. There is a temperature control which can adjust the amount of cold air allowed into the pantry.

The control is located on the right side of the pantry.

- Press the Temp button repeatedly until your desired mode is lit. The Fresh mode(38°F), Chilled mode(32°F) and Deli mode(41°F) will be selected whenever you press the Temp button. Initially, the Fresh mode is set. Though the setting temperature is different from the current temperature, the temperature will be changed to the setting temperature automatically.

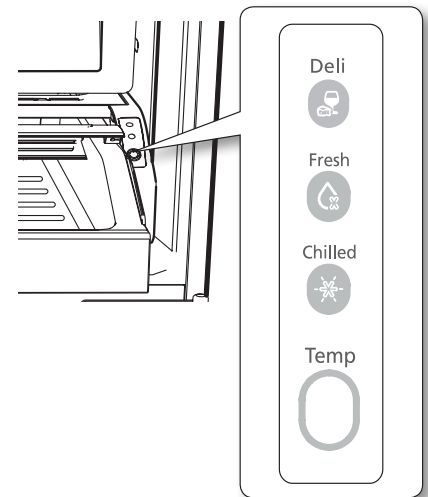


Temp

You can select your Pantry temperature from among Fresh(38°F[3°C]), Chilled(34°F[0°C]), and Deli(41°F[5°C]) modes.

Selection Button

1. When “Deli” is selected, the temperature of the pantry will be kept around 41°F(5°C). This feature helps keep food fresh for a long time.
2. When “Fresh” is selected, the temperature of the pantry will be kept around 38°F(3°C). This feature helps keep food fresh for a longer time.
3. When “Chilled” is selected, the temperature of the pantry will be kept around 34°F(1°C). This feature also helps keep meat or fish fresh for a longer time.



Deli

- pineapple
- lemon
- avocado
- potato

Fresh

- cucumbers
- apples
- oranges
- grapes
- zucchinis
- corn

Chilled

- steaks
- hard cheeses
- cold cuts
- bacon
- hot dogs



Fruits and vegetables may be damaged under the “Chilled” setting. Do not store lettuce or other leafy produce in this pantry.




CAUTION Do not store glass bottles in this pantry. If they are frozen, they can break and cause personal injury.


REMOVING THE REFRIGERATOR ACCESSORIES

1. Door Bins & Dairy Compartment

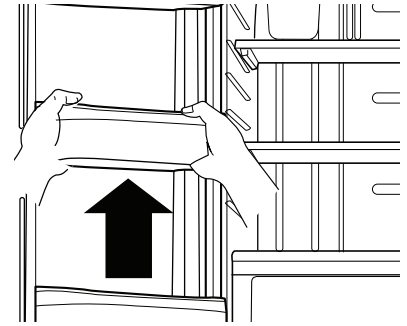
To remove - Simply lift the bin up and pull straight out.

To relocate - Slide it in above the desired location and push down until it stops.

 **CAUTION** Injury may occur if the door bins are not firmly assembled. Do not allow children to play with bins. Sharp corners of the bins may cause injury.

 Do not adjust a bin full of foods.


Dust removal method -Remove the guard and wash in water.

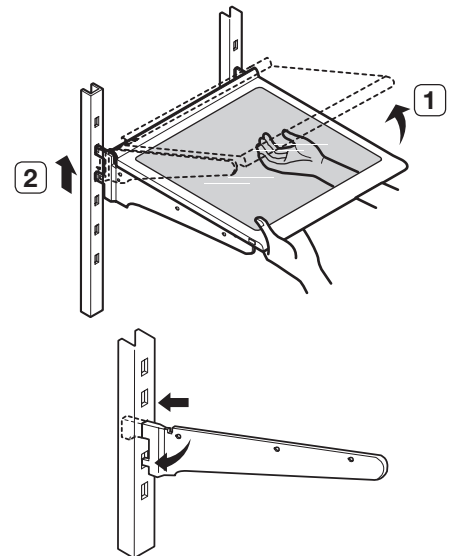


2. Tempered Glass shelves

To remove - Tilt up the front of the shelf in the direction shown (1) and lift it up vertically (2). Pull the shelf out.

To relocate - Tilt the front of the shelf up and guide the shelf hooks into the slots at a desired height. Then lower the front of the shelf so that the hooks can drop into the slots.


 **CAUTION** The Tempered Glass shelves are heavy. Use special care when removing them.

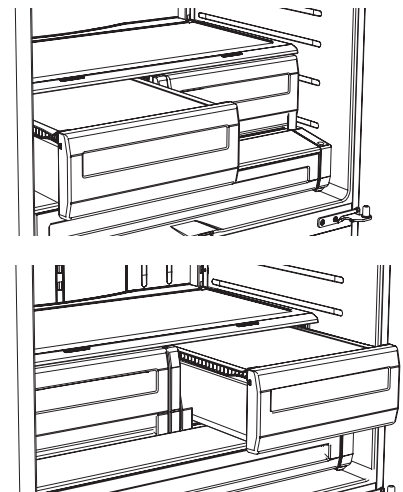


3. Vegetable & Fruit Drawers

To remove - Pull the drawer out to full extension. Tilt up the front of the drawer and pull straight out.

To relocate - Insert the drawer into the frame rails and push back into place.

 **CAUTION** The drawers need to be removed before the glass shelf above them can be lifted out. Do not open the drawers while the pantry is open. It may cause a scratch or breakage to the drawer covers.

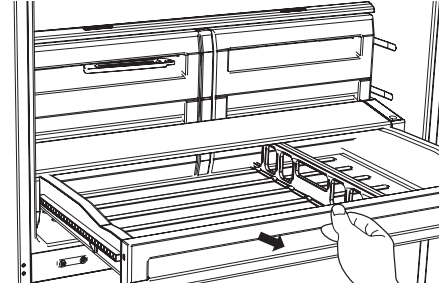


Operating your SAMSUNG French Door Refrigerator

4. Cool Select Pantry™

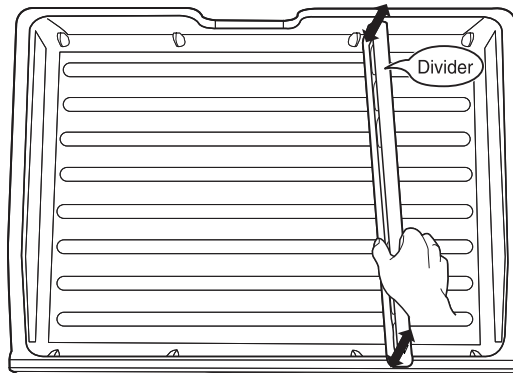
To remove the pantry - Pull the pantry out to full extension. Tilt up the front side of pantry and pull straight out.

To relocate the pantry - Push the rails to the back of the Refrigerator. Place the drawer onto the rails and slide the pantry back until it is in place.



To remove the divider - Pull the pantry completely out to full extension and raise the front side of the divider to unhook it from the rear wall of the pantry, then lift the divider out.

To relocate the divider - Hook the back of the divider over the rear wall of the pantry and push the divider down.



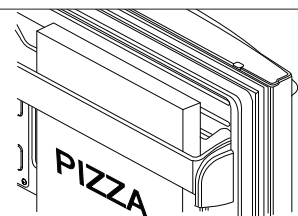
USING THE DOORS

The Refrigerator doors ensure that the doors close all the way and are securely sealed.

When the Refrigerator door is only partially open, it will automatically close. The door will stay open when opened more than 3 Inches.

USING THE TILTING POCKET

The Tilting Pocket can be used to store up to a 16" pizza if you place it as shown in the illustration.

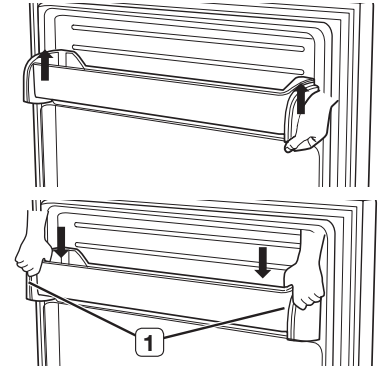


REMOVING THE FREEZER ACCESSORIES

1. Tilting Pocket

To remove - Pull the brackets(1) upward until you hear a clicking sound and remove the pocket

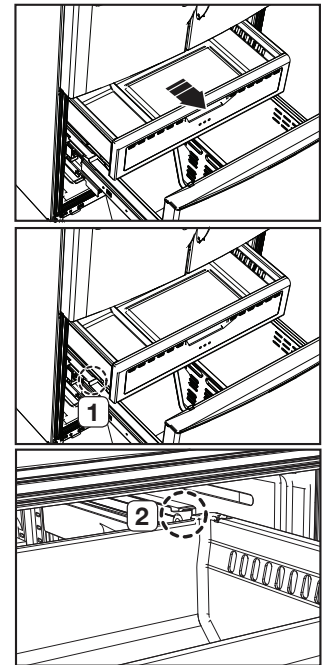
To replace - Hook the ends of the pocket into both brackets (1) and push down until it locks into place.



2. Auto Pull out Drawer

To remove - Pull the drawer out to full extension.
Tilt up rear of drawer and lift straight out.

To relocate - Place the drawer onto the rails by tilting it up.
Lower the drawer into place until it is horizontal and slide the drawer in.



3. Freezer Drawer

To remove the freezer drawer - Pull the freezer drawer out fully. Tilt up the rear of the bin and lift it out to remove.

To relocate the freezer drawer - Place the bin into the rail assembly.



CAUTION

Do not allow babies or children go inside the freezer drawer. They could damage the refrigerator and seriously injure themselves. Do not sit on the freezer door. The door may break. Do not allow children to climb into the freezer drawer.



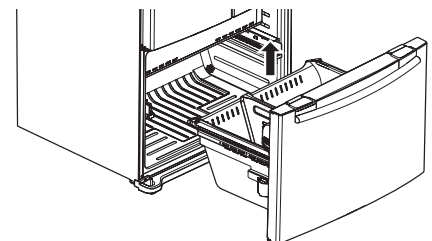
WARNING

Do not remove the divider.



CAUTION

If trapped inside, children may become injury and suffocate to death.



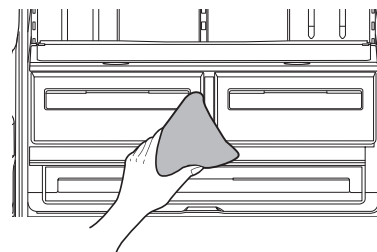
Operating your SAMSUNG French Door Refrigerator

CLEANING THE REFRIGERATOR

Caring for your Samsung French Door Refrigerator prolongs the life of your appliance and helps keep the refrigerator free of odor and germs.

Cleaning the Interior


Clean the inside walls and accessories with a mild detergent and then wipe dry with a soft cloth. You can remove the drawers and shelves for a more thorough cleaning. Just make sure to dry drawers and shelves before putting them back into place.





Cleaning the Exterior

Wipe the control panel and digital display with a damp, clean, soft cloth. Do not spray water directly on the surface of the refrigerator. The doors, handles and cabinet surfaces should be cleaned with a mild detergent and then wiped dry with a soft cloth. To keep your appliance looking its best, polish the exterior once or twice a year.



 Do not spray water directly or not use a wet or damp cloth.
CAUTION


 Do not use benzene, thinner, or Clorox for cleaning. They may damage the surface of the appliance and may cause a fire.
CAUTION

 Printed letters on the display may be erased if the stainless cleaner is applied directly to the area where the letters are printed.
CAUTION



Cleaning the Ice / Water Dispenser


Push down one end of the tray dispenser and remove it. Wipe the Ice / Water Dispenser with a clean and soft cloth.

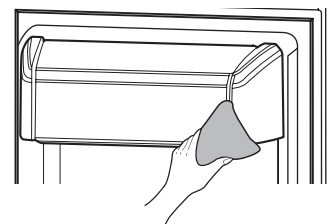
 When using the crushed ice selection from the dispenser some residual ice chips may start to collect in the ice chute. In order to prevent that residual ice from melting and running out of the chute you should clean out the residual ice when you see it start to collect in the ice chute.
CAUTION



Cleaning the Rubber door seals


If the rubber door seals are dirty, the doors may not close properly, and the refrigerator will not operate efficiently. Keep the door seals free of dust or stain by cleaning the doors with a mild detergent and damp cloth. Wipe dry with a clean, soft cloth.

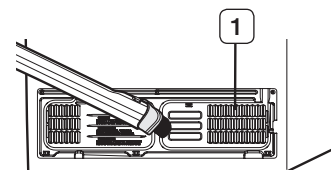
 Do not clean the refrigerator with benzene, thinner, or car CAUTION detergent due to risk of fire.



Cleaning the rear side of the refrigerator

To keep cords and exposed parts free of dust and dirt accumulation. Vacuum the rear side of the appliance once or twice a year.

 Do not remove the back cover(1). You could suffer an electric CAUTION shock.



REPLACING THE INTERIOR LIGHT

 For LED lamp, please contact service engineer to replace it.

Operating your SAMSUNG French Door Refrigerator

CHANGING THE WATER FILTER

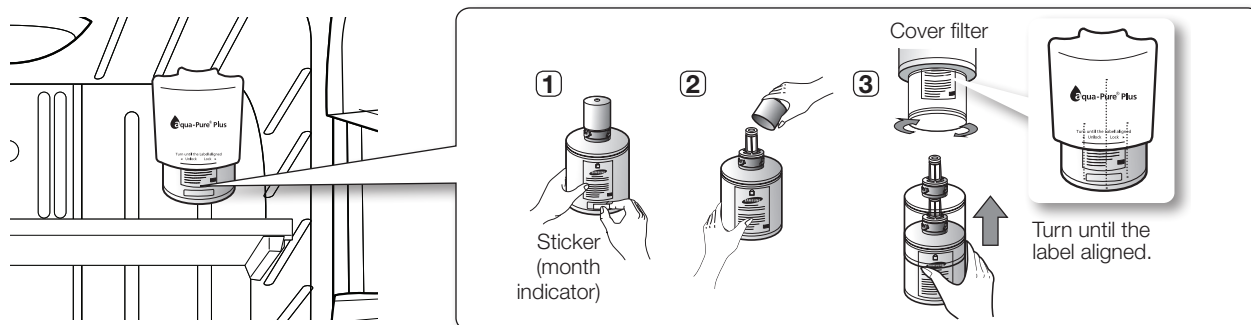


To reduce risk of water damage to your property DO NOT use generic brands of water filters in your SAMSUNG Refrigerator. USE ONLY SAMSUNG BRAND WATER FILTERS.

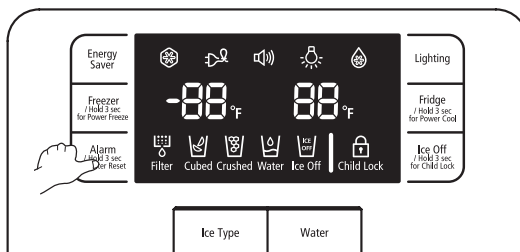
SAMSUNG will not be legally responsible for any damage, including, but not limited to property damage caused by water leakage from use of a generic water filter. SAMSUNG Refrigerators are designed to work ONLY WITH SAMSUNG WATER Filter.

The “Filter Indicator” light lets you know when it is time to change your water filter cartridge. To give you preparation time to get a new filter, the red light will come on just before the capacity of the current filter runs out. Changing the filter on time provides you with the freshest, cleanest water from your fridge.

1. Take a new water filter and put a month indicator sticker on the filter as shown.
The date on the sticker must be six months from the current date. For example, if you are replacing the water filter in March, put the “SEP” (September) sticker on the filter to remind you to replace in September. Normal filter life is about every 6 months.
2. Remove the new filter’s protective cap and remove the old filter.
3. Position and insert the new filter into the filter housing.
Slowly turn the water filter clockwise to align with the printing mark on the cover, locking the filter in position. Make sure to align the water filter label mark with the center of cover filter printing as illustrated. Remember, do not over-tighten.



4. Once you have completed this process, press and hold the Alarm button for 3 seconds to reset the filter schedule.



5. Lastly, Flush 3 gallons through filter before use (flush approximately 6 minutes) Make sure that water flows clearly again before drinking.
 Be sure to flush the dispenser thoroughly otherwise water may drip from the dispenser. This means that there is still air in the line. Do NOT use the water or ice dispenser without a water filter cartridge because the water line may become blocked.

Ordering Replacement Water Filter

For replacement water filter you can visit your local service center or contact the Samsung Parts distributor. Be sure the replacement water filter has the SAMSUNG logo on the box and on the water filter.

Link: <http://www.samsungparts.com>

WATER FILTER CHART

Performance Data Sheet For Samsung Model DA97-06317A Using Replacement Cartridge DA29-00003G

This system has been tested according to NSF/ANSI Standards 42 and 53 for the reduction of the substances listed below. The concentration of the indicated substances in water entering the system was reduced to a concentration less than or equal to the permissible limit for water leaving the system, as specified in NSF/ANSI 42 and 53.



System tested and certified by NSF International against NSF/ANSI Standard 42 for the reduction of Chlorine Taste and Odor, Particulate Class I, and against NSF/ANSI Standard 53 for the reduction of Cysts, Turbidity, Lead, Asbestos, Benzene, Carbofuran, p-Dichlorobenzene and Mercury.

To a capacity of 300 gallons (1,136 liters).

Note that while the testing was performed under standard laboratory conditions, actual performance may vary.

| Contaminant Reduction | Average Influent Concentration | NSF Specified Influent Challenge Concentration Units apply to each row | Average % Reduction | Average Product Water Concentration | Max. Permissible Product Water Concentration | NSF Reduction Requirements | NSF Test |
|--|--------------------------------|---|---------------------|-------------------------------------|--|----------------------------|------------|
| Chlorine taste and odor | 2.1 mg/L | 2.0 mg/L ± 10% | 97.6 | 0.05 mg/L | NA | > 50% | J-00029741 |
| Particulate Class I Particle size: < 0.5 to < 1 um | 10,566,666 pt/mL | At least 10,000 particles/mL | 98.4 | 171,833 pts/mL | NA | > 85% | J-00029739 |
| Cysts* | 127,500 cysts/L | Minimum 50,000 cysts/L | 99.99 | <1 cyst/L | NA | > 99.95% | J-00031000 |
| Turbidity | 10.5 | 11±1 NTU | 98.6 | 0.15 NTU | 0.5 NTU | > 0.5 NTU | J-00033223 |
| Lead @ pH 6.5 | 153 ug/L | 0.15±10% | 99.3 | <1ug/L | 0.010 mg/L | 10 ug/L | J-00039590 |
| Lead @ pH 8.5 | 155 ug/L | 0.15±10% | >99.4 | <1ug/L | 0.010 mg/L | 10 ug/L | J-00039591 |
| Mercury @ pH 6.5 | 5.97 ug/L | 0.006±10% | 96.6 | <0.2 ug/L | 0.002 mg/L | 2 ug/L | J-00039589 |
| Mercury @ pH 8.5 | 6.29 ug/L | 0.006±10% | 88.9 | 0.7 ug/L | 0.002 mg/L | 2 ug/L | J-00039586 |
| Asbestos | 140 MFL | 107 to 108 fibers > um in length | > 99 | <0.17 MFL | NA | 99% | J-00029743 |
| Benzene | 13.88 ug/L | 0.015±10% | 96.4 | <0.5 ug/L | 0.005 mg/L | < 5 ug/L | J-0029751 |
| Carbofuran | 79.6 ug/L | 0.190 mg/L | 98.7 | 1 ug/L | 0.001 mg/L | < 40 ug/L | J-00029750 |
| p-Dichlorobenzene | 237.5 ug/L | 0.225±10% | 99.8 | 0.525 ug/L | 0.075 mg/L | < 75 ug/L | J-00029749 |

* Based on the use of *Cryptosporidium parvum* oocysts

Operating your SAMSUNG French Door Refrigerator

WATER FILTER CERTIFICATION

State of California
Department of Public Health
Water Treatment Device
Certificate Number

04 - 1660

Date Issued: July 7, 2004

Date Revised: June 2, 2008

Trademark/Model Designation

Samsung DA61-00159A-B

Samsung DA97-06317A

Replacement Elements

DA29-00003

DA29-00003G

Manufacturer: Cuno Incorporated

The water treatment device(s) listed on this certificate have met the testing requirements pursuant to Section 116830 of the Health and Safety Code for the following health related contaminants:

Microbiological Contaminants and Turbidity

Cysts

Turbidity

Organic Contaminants

Benzene

Carbofuran

p-Dichlorobenzene

Inorganic/Radiological Contaminants

Asbestos

Lead

Mercury

Rated Service Capacity: 300 gal

Rated Service Flow: 0.5 gpm

Conditions of Certification:

Do not use where water is microbiologically unsafe or with water of unknown quality, except that systems certified for cyst reduction may be used on disinfected waters that may contain filterable cysts.

FOOD STORAGE TIPS

| Foods | Refrigerator | Freezer | Storage Tips |
|--|--------------|-----------------|--|
| DAIRY PRODUCTS | | | |
| Butter | 2-3 Weeks | 6-9 Months | Wrap or cover tightly. |
| Milk | 1-2 Weeks | Not recommended | Check date code. Most milk and similar products are sold in date-coded cartons that indicate a product's peak freshness. Re-seal with cap or wrap tightly. Do not return unused portions to original container. |
| Cream Cheese, cheese food, and cheese spread | 2-4 Weeks | Not recommended | Check date code. Keep all cheese tightly packed in moisture proof wrap. |
| Hard Cheese(unopened) | 3-4 Months | 6 Months | |
| Hard Cheese(opened) | 2 Months | Not recommended | |
| Cottage Cheese | 10-15 Days | Not recommended | |
| Cream | 7-10 Days | 2 Months | |
| Sour Cream | 2 Weeks | Not recommended | Check date code. Most yogurt, creams, and similar products are sold in date-coded cartons that indicate a product's peak freshness. Re-seal or cover tightly. Do not return unused portions to original container. |
| Cream Dips (opened) | 1 week | Not recommended | |
| Yogurt | 10-14 Days | Not recommended | Check date code. Keep covered. |
| Frozen Yogurt | na | 2 Months | |
| EGGS | | | |
| Eggs (uncooked) | 3-4 Weeks | Not recommended | Check date code. Store eggs in coldest part of refrigerator and in their original container. |
| Eggs (cooked) | 1 week | Not recommended | Store in covered container. |
| Leftover egg dishes | 3-4 Days | Not recommended | Store in covered container. |
| FRESH FRUITS | | | |
| Apples | 1 Month | Not recommended | If storing in refrigerator, do not wash fruit before storing. Store in moisture resistant bags or containers. Wrap cut fruits. Some fruits darken when refrigerated. |
| Bananas | 2-4 Days | Not recommended | |
| Peaches, Melons, Pears, Avocados | 3-5 Days | Not recommended | |
| Berries and Cherries | 2-3 Days | 12 Months | |
| Apricots | 3-5 Days | Not recommended | |
| Grapes | 3-5 Days | na | |
| Pineapple (un-cut) | 2-3 Days | Not recommended | |
| Pineapple (cut) | 5-7 Days | 6-12 Months | |
| Citrus | 1-2 Weeks | Not recommended | Store uncovered. |
| Juice | 6 Days | Not recommended | Check date code and re-seal in original container. Do not return unused portions to original container. |
| Frozen Juice | Thawing only | 12 Months | Check date code. Do not re-freeze. |

Operating your SAMSUNG French Door Refrigerator

FOOD STORAGE TIPS

| Foods | Refrigerator | Freezer | Storage Tips |
|--------------------------------------|--------------|-------------|--|
| FISH AND SHELLFISH | | | |
| Fish | | | |
| Fatty Fish (mackerel, trout, salmon) | 1-2 Days | 2-3 Months | Keep in original wrapper and store in coldest part of refrigerator. Package in vapor-proof and moisture proof wrap for freezer. Freeze at 0°F. Thaw in refrigerator or under cold running water. |
| Lean Fish (cod, flounder, etc) | 1-2 Days | 6 Months | |
| Frozen or Breaded | na | 3 Months | Check date code. Freeze in original packaging. |
| Shellfish | | | |
| Shrimp (uncooked) | 1-2 Days | 12 Months | To freeze package in vapor-proof and moisture-proof container. |
| Crab | 3-5 Days | 10 Months | |
| Cooked Fish or Shellfish | 2-3 Days | 3 Months | |
| MEAT | | | |
| Fresh, Uncooked | | | |
| Chops | 2-4 Days | 6-12 Months | Check date code for use. Store in coldest part of refrigerator in original packaging. Add more packaging in moisture-proof and vapor-proof container for freezing. Recommended refrigerator temperature 33°F to 36°F and freezer temperature 0°F to 2°F. |
| Ground | 1 day | 3-4 months | |
| Roast | 2-4 Days | 6-12 Months | |
| Bacon | 1-2 weeks | 1-2 Months | |
| Sausage | 1-2 Days | 1-2 Months | |
| Steak | 2-4 Days | 6-9 Months | |
| Poultry | 1 day | 12 Months | |
| Lunch meat | 3-5 Days | 1 month | |
| Cooked | | | |
| Meat | 2-3 Days | 2-3 Months | Check date code for use. Store in coldest part of refrigerator in original packaging. Package in moistureproof and vapor-proof container for freezing. |
| Poultry | 2-3 Days | 4-5 months | |
| Ham | 1-2 weeks | 1-2 Months | |

Sources :

American Meat Institute Foundation. 1994. Yellow pages: answers to predictable questions consumers ask about meat and poultry. American Meat Institute

Food Marketing Institute. 1999. The food keeper. Food Marketing Institute, Washington, D.C.

Freeland-Graves, J.H. and G.C. Peckham. 1996. Foundations of food preparation, 6th ed. Prentice-Hall, Inc. Englewood Cliffs, NJ.

Hillers, V.N. 1993. Storing foods at home. Washington State University Cooperative Extension, Pullman, WA. Publ. EB 1205.

National Restaurant Association. 2001. Be cool-chill out! Refrigerate promptly. National Restaurant Association Education Foundation's International Food Safety Council, Washington, D.C.

USDA. 1997. Basics for handling food safely. U.S. Department of Agriculture, Food Safety and Inspection Service, Washington, D.C.

Troubleshooting

| PROBLEM | SOLUTION |
|---|---|
| The Refrigerator does not work at all or it does not chill sufficiently. | <ul style="list-style-type: none"> • Check that the power plug is properly connected. • Is the temperature control on the display panel set to the correct temperature? Try setting it to a lower temperature. • Is the Refrigerator in direct sunlight or located near a heat source? • Is the back of the Refrigerator too close to the wall and therefore keeping air from circulating? |
| The food in the Refrigerator is frozen. | <ul style="list-style-type: none"> • Is the temperature control on the display set to the correct temperature? Try setting it to a warmer temperature. • Is the temperature in the room too low? • Did you store the food with high water content in the coldest part of the Refrigerator? Try moving those items into the body of the Refrigerator instead of keeping them in the Cool Select Pantry™. |
| You hear unusual noise or sounds. | <ul style="list-style-type: none"> • Check that the Refrigerator is level and stable. • Is the back of the Refrigerator too close to the wall and therefore keeping air from circulating? • Was anything dropped behind or under the Refrigerator? • A “ticking” sound is heard from inside the Refrigerator. It is normal and occurs because various accessories are contracting or expanding according to the temperature of the Refrigerator interior. |
| The front corners and vertical hinged section of the appliance are hot and condensation is occurring. | <ul style="list-style-type: none"> • Some heat is normal as anti-condensators are installed in the vertical hinged section of the Refrigerator to prevent condensation. • Is the Refrigerator door ajar? Condensation can occur when you leave the door open for a long time. |
| Ice Maker is not producing ice. | <ul style="list-style-type: none"> • Did you wait for 12 hours after installation of the water supply line before making ice? • Is the water line connected and the shut-off valve opened? • Did you manually stop the ice making function? • Is the Freezer temperature too warm? Try setting the Freezer temperature lower. |
| You can hear water bubbling in the Refrigerator. | <ul style="list-style-type: none"> • This is normal. The bubbling comes from the Refrigerator coolant liquid circulating through the Refrigerator. |
| There is a bad smell in the Refrigerator. | <ul style="list-style-type: none"> • Check for spoiled food. • Foods with strong odors(for example, fish) should be tightly covered. • Clean out your Freezer periodically and throw away any spoiled or suspicious food. |
| Frost forms on the walls of the Freezer. | <ul style="list-style-type: none"> • Is the air vent blocked? Remove any obstructions so air can circulate freely. • Allow sufficient space between the foods stored for efficient air circulation. • Is the Freezer drawer closed properly? |
| Water dispenser is not functioning. | <ul style="list-style-type: none"> • Is the water line connected and the shut-off valve opened? • Has the water supply line tubing been crushed or kinked? Make sure the tubing is free and clear of any obstruction. • Is the water tank frozen because the Refrigerator temperature is too low? Try selecting a warmer setting on the main display panel. |

Warranty

SAMSUNG REFRIGERATOR

LIMITED WARRANTY TO ORIGINAL PURCHASER

This Samsung brand product, as supplied and distributed by Samsung Electronics America, Inc. (Samsung) and delivered new, in the original carton to the original consumer purchaser, is warranted by Samsung against manufacturing defects in materials and workmanship for a limited warranty period of:

One (1) year Parts and Labor on Refrigerator

Five (5) years Parts and Labor on sealed Refrigeration system only*

(*Compressor, evaporator, condenser, drier, connecting tubing)

This limited warranty begins on the original date of purchase, and is valid only on products purchased and used in the United States. To receive warranty service, the purchaser must contact Samsung for problem determination and service procedures. Warranty service can only be performed by a Samsung authorized service center. The original dated bill of sale must be presented upon request as proof of purchase to Samsung or Samsung authorized service center.

Samsung will repair or replace any part found to be defective, at our option and at no charge as stipulatedX herein, with new or reconditioned parts during the limited warranty period specified above. All replaced parts and products become the property of Samsung and must be returned to Samsung. Replacement parts and products assume the remaining original warranty, or ninety (90) days, whichever is longer.

In-home service will be provided during the warranty labor period subject to availability within the contiguous United States. In-home service is not available in all areas. To receive in-home service, the product must be unobstructed and accessible from floor level to service personnel. If during in-home service repair cannot be completed, it may be necessary to remove, repair and return the product. If in-home service is unavailable, Samsung may elect, at our option, to provide for transportation of our choice to and from a Samsung authorized service center. Otherwise, transportation to and from the Samsung authorized service center is the responsibility of the purchaser.

This limited warranty covers manufacturing defects in materials and workmanship encountered in normal, noncommercial use of this product, and shall not apply to the following, including, but not limited to: damage which occurs in shipment; delivery and installation; applications and uses for which this product was not intended; altered product or serial numbers; cosmetic damage or exterior finish; accidents, abuse, neglect, fire, water, lightning or other acts of nature; use of products, equipment, systems, utilities, services, parts, supplies, accessories, applications, installations, repairs, external plumbing and leaks, external wiring, circuit breakers, fuses or connectors not supplied and authorized by Samsung, or which damage this product or result in service problems; incorrect electrical line voltage, fluctuations and surges; customer adjustments and failure to follow operating instructions, cleaning, maintenance and environmental instructions that are covered and prescribed in the instruction book; loss of food due to spoilage; consumable items including filters and light.

THERE ARE NO EXPRESS WARRANTIES OTHER THAN THOSE LISTED AND DESCRIBED ABOVE, AND NO WARRANTIES WHETHER EXPRESS OR IMPLIED, INCLUDING, BUT NOT LIMITED TO, ANY IMPLIED WARRANTIES OF MERCHANTABILITY OR FITNESS FOR A PARTICULAR PURPOSE, SHALL APPLY AFTER THE EXPRESS WARRANTY PERIODS STATED ABOVE, AND NO OTHER EXPRESS WARRANTY OR GUARANTY GIVEN BY ANY PERSON, FIRM OR CORPORATION WITH RESPECT TO THIS PRODUCT SHALL BE BINDING ON SAMSUNG. SAMSUNG SHALL NOT BE LIABLE FOR LOSS OF REVENUE OR PROFITS, FAILURE TO REALIZE SAVINGS OR OTHER BENEFITS, OR ANY OTHER SPECIAL, INCIDENTAL OR CONSEQUENTIAL DAMAGES CAUSED BY THE USE, MISUSE OR INABILITY TO USE THIS PRODUCT, REGARDLESS OF THE LEGAL THEORY ON WHICH THE CLAIM IS BASED, AND EVEN IF SAMSUNG HAS BEEN ADVISED OF THE POSSIBILITY OF SUCH DAMAGES. NOR SHALL RECOVERY OF ANY KIND AGAINST SAMSUNG BE GREATER IN AMOUNT THAN THE PURCHASE PRICE OF THE PRODUCT SOLD BY SAMSUNG AND CAUSING THE ALLEGED DAMAGE. WITHOUT LIMITING THE FOREGOING, PURCHASER ASSUMES ALL RISK AND LIABILITY FOR LOSS, DAMAGE OR INJURY TO PURCHASER AND PURCHASER'S PROPERTY AND TO OTHERS AND THEIR PROPERTY ARISING OUT OF THE USE, MISUSE OR INABILITY TO USE THIS PRODUCT SOLD BY SAMSUNG NOT CAUSED DIRECTLY BY THE NEGLIGENCE OF SAMSUNG. THIS LIMITED WARRANTY SHALL NOT EXTEND TO ANYONE OTHER THAN THE ORIGINAL PURCHASER OF THIS PRODUCT, IS NONTRANSFERABLE AND STATES YOUR EXCLUSIVE REMEDY.

Some states do not allow limitations on how long an implied warranty lasts, or the exclusion or limitation of incidental or consequential damages, so the above limitations or exclusions may not apply to you. This warranty gives you specific legal rights, and you may also have other rights, which vary from state to state.

To obtain warranty service, please contact Samsung at:


SAMSUNG CUSTOMER CARE CENTER

Samsung Electronics America, Inc. 85 Challenger Road Ridgefield Park, NJ 07660
1- 800-SAMSUNG (1-800-726-7864) y www.samsung.com



QUESTIONS OR COMMENTS?

| COUNTRY | CALL | OR VISIT US ONLINE AT | WRITE |
|---------|-------------------------------|--|---|
| U.S | 800-SAMSUNG (800-726-7864) | www.samsung.com | Samsung Electronics America, Inc. 85 Challenger Road Ridgefield Park, NJ 07660 |
| CANADA | 800-SAMSUNG (800-726-7864) | www.samsung.com/ca | Samsung Electronics Canada Inc. Customer Service, 55 Standish Court Mississauga, Ontario L5R 4B2 Canada |

 In an effort to promote recycling this user manual is printed on recycled paper.



RFG297**

Refrigerador

Manual de usuario

SPANISH

imagine las posibilidades

Gracias por adquirir este producto Samsung.
Para recibir un servicio más completo o accesorios,
registre su producto o comuníquese con

www.samsung.com/register
1-800-SAMSUNG (726-7864)



Características de su nuevo refrigerador

CARACTERÍSTICAS PRINCIPALES DE SU NUEVO REFRIGERADOR

Su refrigerador Samsung de tres puertas está equipado con multitud de características innovadoras de almacenamiento y eficiencia energética.

- **Sistema de doble enfriamiento**

El refrigerador y la nevera disponen de evaporadores independientes. Gracias a este sistema de enfriamiento, la nevera y el refrigerador refrigeran de forma más eficiente. Además, este sistema de flujo de aire independiente evita que los olores de los alimentos situados en uno de los compartimentos penetren en el resto.

- **Cool Select Pantry™**

El Cool Select Pantry™ es una gaveta de ancho completo que dispone de control de temperatura ajustable.

- **Espacio más grande y ancho**

Las zonas de balda ancha y despensa proporcionan suficiente espacio para artículos más grandes, como cajas de pizza, etc. La gaveta ancha la nevera proporciona, asimismo, espacio suficiente para 2 ó 3 pavos.

- **Cierre automático de seguridad**

El cierre automático de seguridad cerrará de forma automática una puerta entreabierta

- **Máquina de hielo compacta**

La máquina de hielo puede dispensar cubitos o hielo picado.

- **Pantalla de visualización y control de temperatura digital**

- **Sistema de filtrado de agua**

- **Alarma de puerta**

Una útil alarma avisará cuando la puerta quede entreabierta.

- **Compartimento inclinable**

El compartimento inclinable puede usarse para almacenar una pizza de 40,6 cm (16").

- **Gaveta de extracción automática**

La gaveta superior de la nevera se despliega y sale automáticamente al abrir la puerta del compartimento.

- **Gaveta de gran extensión**

La gaveta superior puede extraerse hasta el compartimento inclinable.

- **Tirador simple**

La puerta de la nevera puede abrirse con menos esfuerzo.

- **Energy star**

La etiqueta Energy star de este producto puede hacer que ahorre en su factura eléctrica.



Para facilitar futuras consultas, escriba el modelo y el número de serie a continuación, que podrá encontrar en el lateral izquierdo del refrigerador.

Nº de modelo # _____

Nº de serie # _____











Información de seguridad

INFORMACIÓN DE SEGURIDAD

Antes de usar su nuevo refrigerador Samsung de tres puertas, lea este manual para asegurarse de que sabe cómo usar de forma segura y eficaz, las características y funciones que ofrece su nuevo electrodoméstico.


Como las siguientes instrucciones de funcionamiento están destinadas a varios modelos, las características de su refrigerador pueden diferir ligeramente de las descritas en este manual. Si tiene cualquier pregunta, póngase en contacto con nosotros en el 1-800-SAMSUNG o busque ayuda e información online en www.samsung.com.

Significado de los iconos y señales usadas en este manual de usuario :

| | |
|---|---|
|  ADVERTENCIA | Prácticas peligrosas o inseguras que pueden ocasionar lesiones físicas graves o peligro de muerte. |
|  PRECAUCIÓN | Prácticas peligrosas o inseguras que pueden ocasionar lesiones físicas leves o daños materiales. |
|  PRECAUCIÓN | Para reducir el riesgo de incendio, explosión, choque eléctrico o lesiones físicas, cumpla estas precauciones básicas de seguridad al usar su refrigerador: |
|  | NO intentar. |
|  | NO desmontar. |
|  | NO tocar. |
|  | Cumplir expresamente las instrucciones. |
|  | Desenchufar el cable de alimentación de la toma de pared. |
|  | Asegurarse de que la máquina está conectada a tierra para evitar choques eléctricos. |
|  | Ponerse en contacto con el servicio técnico para obtener ayuda. |

Estas señales de advertencia existen para prevenir lesiones personales o a terceros. Cúmplalas explícitamente. Guarde este manual en lugar seguro para futuras consultas.

SEÑALES DE ADVERTENCIA GRAVE

-  **No enchufe varios electrodomésticos en la misma toma de pared.**
 - Los grandes electrodomésticos consumen mucha energía. Suministrar energía a más de un electrodoméstico o máquina a través de una única toma de energía podría ocasionar recalentamiento y provocar un incendio.
- Asegúrese de que el tomacorriente no quede doblado o dañado por la parte posterior del refrigerador.**
 - Un cable de alimentación dañado puede recalentarse y provocar un incendio.
- No vaporice agua directamente en el interior o exterior de la gaveta del refrigerador/ nevera.**
 - El agua podría entrar en el interior de las piezas de la máquina, ocasionando choques eléctricos.
- No use aerosoles cerca del refrigerador.**
 - La uso de aerosoles en las proximidades del refrigerador puede provocar una explosión o un incendio.

Información de seguridad

No someta a esfuerzos indebidos el cable de alimentación ni coloque artículos pesados sobre él.

- Colocar artículos pesados sobre el cable de alimentación genera un riesgo de explosión e incendio.

No enchufe el cable de alimentación con las manos húmedas.

- Podría ser causa de choque eléctrico.

No introduzca un recipiente lleno de agua en el refrigerador.

- Si se derramase, podrían ocasionarse incendios o choques eléctricos.

No instale el refrigerador en lugares húmedos o cerca de la presencia de agua

- La humedad o un aislamiento deteriorado de las partes eléctricas internas, puede ocasionar choques eléctricos o incendios.

No almacene sustancias volátiles ni inflamables en el refrigerador.

- El almacenaje de benceno, disolvente, alcohol, éter, gas licuado y otros productos similares puede provocar explosiones.



No desmonte o repare el refrigerador usted mismo.

- Corre el riesgo de provocar un incendio, averías en el electrodoméstico o lesiones físicas. Póngase en contacto con su centro de asistencia más cercano para obtener ayuda de un técnico de servicio cualificado.
- Si el LED interior o exterior se ha apagado, comuníquese con los agentes de servicio técnico.



Desenchufe el refrigerador antes de reemplazar el foco interior.

- Reemplazar el foco mientras el refrigerador está enchufado puede ocasionar un choque eléctrico.

Si desea desechar el refrigerador, retire las puertas y los sellos antes de tirarlo.

- Las puertas (y sus sellos) pueden atrapar a un niño que se introduzca en el refrigerador. Asegúrese de que las puertas están anuladas y de que nadie ha quedado atrapado dentro.



El refrigerador debe ser conectado a tierra por seguridad.

- Asegúrese siempre de haber conectado a tierra el refrigerador antes de intentar examinar o reparar cualquier pieza del electrodoméstico. Las fugas de corriente pueden ocasionar choques eléctricos graves.

No use nunca conductos de gas, líneas de teléfono u otros captadores potenciales de rayos como puesta a tierra.

- Un uso incorrecto del conector de puesta a tierra puede ocasionar riesgo de choque eléctrico. Si fuese necesario usar una alargadera para el suministro eléctrico del refrigerador, use únicamente una alargadera de 3 cables que disponga de un conector de 3 clavijas con toma de tierra y una toma eléctrica de 3 ranuras que acepte el conector del electrodoméstico. El régimen indicado de la alargadera debe ser de 115 V~120 V de CA, 10 A o superior. Adicionalmente, si se usa un adaptador de puesta a tierra, asegúrese de que la caja de la toma eléctrica también disponga de conexión completa a tierra.

SEÑALES DE PRECAUCIÓN



Use el sentido común al llenar el refrigerador de alimentos y bebidas.

- En un refrigerador lleno en exceso, los artículos pesados, frágiles, voluminosos o delicados podrían caer ocasionando lesiones físicas o daños a los objetos adyacentes.

No introduzca botellas o envases de cristal en la gaveta de la nevera.

- Al congelarse el contenido y expandirse, el cristal podría romperse, provocando lesiones físicas o llenando la nevera de peligrosos fragmentos rotos de cristal.

Si la toma de pared estuviera suelta, no conecte el cable de alimentación.

- Existe riesgo de choque eléctrico o incendio. Solicite que un electricista autorizado revise el tomacorriente.



No desenchufe su refrigerador tirando del cable de alimentación.

- Sujete siempre el tomacorriente firmemente y tire de él para extraerlo de la pared. Forzar o tirar del cable de alimentación puede ocasionar un cortocircuito, incendio o choque eléctrico.
- Un cable de alimentación dañado, debe ser reemplazado por el fabricante, un técnico de servicio certificado o por personal de servicio cualificado.

No almacene artículos sobre la parte superior del electrodoméstico.

- Al abrir o cerrar la puerta, dichos artículos pueden caer, ocasionando lesiones físicas o dañando los objetos adyacentes.

No almacene en el refrigerador productos farmacéuticos, material científico o productos sensibles a la temperatura.

- Los productos que precisan controles de temperatura estrictos no deben almacenarse en el refrigerador.



PRECAUCIÓN

No permita a los niños subir, sentarse o colgarse de las baldas o tiradores del refrigerador. Estas acciones podrían dañar el refrigerador y herir gravemente a los niños. No se apoye en la puerta de la nevera. La puerta podría romperse. No permita que los niños se suban dentro de la gaveta de la nevera.



Si percibe olor a químicos o a plástico quemado o ve humo, desenchufe inmediatamente el refrigerador y póngase en contacto con su centro de asistencia Samsung Electronics.



Una vez que su refrigerador esté en funcionamiento, no toque las superficies frías del compartimento de la nevera. La piel podría adherirse a estas superficies muy frías especialmente con las manos húmedas o mojadas.

- La piel podría adherirse a la superficie y congelársele.

No introduzca las manos bajo el electrodoméstico.

- Los bordes afilados podrían ocasionar lesiones físicas.

Información de seguridad

No introduzca nunca los dedos u otros objetos en la abertura del dispensador de agua ni en el conducto de hielo.

- Hacerlo puede ocasionar lesiones físicas o daños materiales.



Si el refrigerador no va a ser usado durante un período de tiempo prolongado (por ejemplo, durante varios meses), desenchufe el cable de alimentación de la toma de pared.

- Con el tiempo, el deterioro del aislamiento del cable de alimentación puede ocasionar un incendio.



No use paños mojados o húmedos para limpiar el tomacorriente.

Elimine cualquier resto de polvo o materiales extraños de las clavijas del tomacorriente.

- Un tomacorriente sucio puede incrementar el riesgo de incendio.

Si desconectase el refrigerador del suministro eléctrico, deberá esperar al menos cinco minutos para volver a enchufarlo.



No sitúe el equipo en lugares expuestos a la luz directa del sol.

El electrodoméstico debe colocarse de forma que permita un acceso fácil a la fuente de alimentación.

Si el cable de alimentación estuviera dañado, debe ser reemplazado por el fabricante, un técnico de servicio certificado o por personal de servicio cualificado.



Si planea unas largas vacaciones, vacíe el refrigerador y desconéctelo.

- Limpie el exceso de humedad del interior y deje las puertas abiertas para impedir la proliferación de olores y moho.

Garantía de servicio y modificación

- Cualquier cambio o modificación realizada por terceros sobre este electrodoméstico acabado, no está cubierta por el servicio de garantía de Samsung ni serán responsabilidad de Samsung las cuestiones relativas a la seguridad resultantes de dichas modificaciones realizadas por terceros.



Los niños pueden quedar atrapados en el interior de los refrigeradores.

Antes de desechar su viejo refrigerador o nevera, asegúrese de los siguiente:

- Desmante las puertas.
- Deje todas las baldas colocadas en su lugar para que los niños no puedan acceder al interior y cerrar la puerta mientras permanecen dentro.



Este electrodoméstico no ha sido diseñado para su uso por niños pequeños o personas discapacitadas sin supervisión adulta. Los niños pequeños deben estar supervisados al usar el electrodoméstico.



No bloquee las aberturas de ventilación

- Si las aberturas de ventilación fuesen bloqueadas, especialmente con bolsas de plástico, el refrigerador puede sobre-enfriarse.
- Si este período de enfriamiento fuera largo, el filtro de agua se romperá provocando fugas.

INSTALACIÓN DE SU REFRIGERADOR DE TRES PUERTAS

08

- 08 Preparativos para instalar el refrigerador
- 09 Desmontaje de las puertas del refrigerador
- 11 Montar la gaveta de la nevera
- 12 Desmontaje de las puertas del refrigerador
- 14 Montaje la gaveta de la nevera
- 15 Ajuste de las puertas
- 16 Realización de ajustes menores entre puertas
- 17 Ajuste del nivel de la gaveta de la nevera
- 18 Chequeo de la toma de agua del dispensador
- 19 Instalación de la toma de agua del dispensador

FUNCIONAMIENTO DEL REFRIGERADOR SAMSUNG DE TRES PUERTAS

21

- 21 Uso del panel de control
- 22 Uso de la pantalla de digital
- 24 Uso del dispensador de agua fría
- 26 Partes y funciones
- 27 Almacenaje de alimentos en el refrigerador
- 27 Almacenaje de alimentos en la gaveta de la nevera
- 28 Uso del Cool select pantry™
- 29 Desmontaje de los accesorios del refrigerador
- 30 Uso de puertas
- 30 Uso del compartimento inclinable
- 31 Desmontaje de los accesorios del congelador
- 32 Limpieza del refrigerador
- 33 Reemplazo de la interior
- 34 Reemplazo del filtro de agua
- 35 Cuadro del filtro de agua
- 36 Certificación del filtro de agua
- 37 Consejos útiles para el almacenaje de alimentos

SOLUCIÓN DE PROBLEMAS

39

- 39 Solución de problemas

GARANTÍA

40

- 40 Garantía

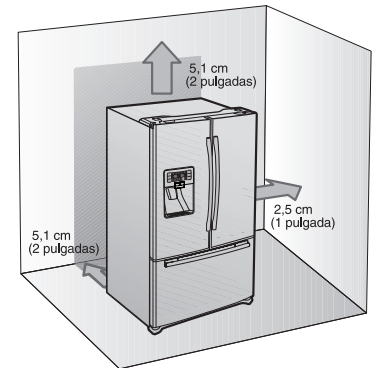
Instalación de su refrigerador de tres puertas

PREPARATIVOS PARA INSTALAR EL REFRIGERADOR

Felicidades por la adquisición de su refrigerador Samsung de tres puertas. Esperamos que disfrute de las características y rendimiento de alta tecnología que este nuevo electrodoméstico tiene que ofrecer.

Selección del mejor emplazamiento para el refrigerador

- Un emplazamiento de fácil acceso para el suministro de agua.
- Un emplazamiento sin exposición directa a la luz solar.
- Un emplazamiento que tenga el piso nivelado (o casi nivelado).
- Un emplazamiento con suficiente espacio para que las puertas del refrigerador puedan abrirse con facilidad.
- Deje espacio suficiente a la derecha, izquierda y por arriba para la circulación del aire.
- Asegúrese de que el aparato pueda moverse libremente para los trabajos de mantenimiento y servicio.

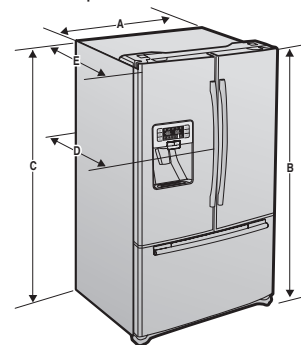


Si su refrigerador dispone de una máquina de hielo, deje más espacio libre en la parte posterior para las conexiones de la toma de agua. Al instalar su refrigerador junto a una pared fija, debe dejarse un espacio libre mínimo de 3 3/4" (95 mm) entre el refrigerador y la pared, para permitir la apertura de la puerta.

Antes que nada: asegúrese de poder mover fácilmente su refrigerador hasta su posición final, midiendo puertas de entrada (ancho y alto), umbrales, techos, escaleras, etc.

El siguiente cuadro especifica la altura y ancho exactos del refrigerador Samsung de tres puertas.

| MODELO | | RFG297 ** | |
|------------------------------|-------------------|-----------------|-----------------|
| Dimensiones (pulgadas/mm) | Ancho (A) | | 35 5/8 (912mm) |
| | Altura de la caja | Con Bisagra (B) | 69 7/8 (1775mm) |
| | | Sin Bisagra (C) | 68 1/8 (1730mm) |
| | Profundidad | Con Puerta (D) | 35 7/8 (912mm) |
| | | Sin Puerta(E) | 28 7/8 (734mm) |

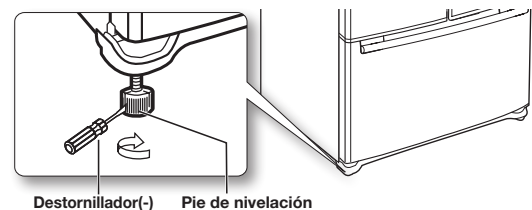


- Mantenga despejado el lado derecho, izquierdo, posterior y superior durante la instalación. Esto ayudará a reducir el consumo de energía y mantener una factura eléctrica más baja.
- No instale el refrigerador en un emplazamiento donde la temperatura pueda ser inferior a 10 °C (50 °F).



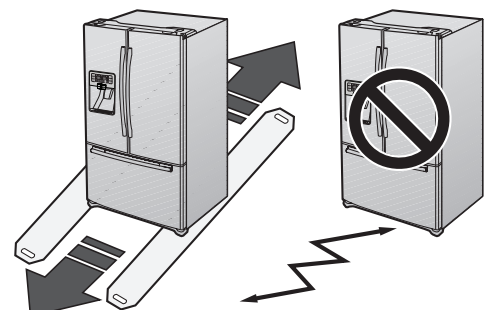
Al desplazar el refrigerador

Para evitar daños en el piso, asegúrese de que los pies de nivelación frontales están en su posición más elevada (por encima del piso). Examine la sección "Nivelación del refrigerador" del manual.



PISO

Para una instalación correcta, este refrigerador debe situarse sobre una superficie nivelada de material resistente que tenga la misma altura que el resto del piso. Esta superficie debe ser lo suficientemente fuerte para soportar el peso del refrigerador cargado por completo o unos 299 kg (660 lbs) aproximadamente. Para proteger el acabado del piso, corte un trozo grande de cartón de embalaje y colóquelo bajo el refrigerador en el lugar de trabajo. Al desplazarlo, asegúrese de tirar de la unidad hacia fuera o empujarla hacia dentro en línea recta.



AJUSTE DEL REFRIGERADOR

Ahora que tiene su nuevo refrigerador instalado y en su sitio, está preparado para ajustarlo y disfrutar de todas las características y funciones de las que dispone el electrodoméstico. Completando los siguientes pasos, su refrigerador deberá estar totalmente operativo.

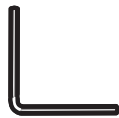
1. Coloque el refrigerador en una situación apropiada, con una distancia libre razonable entre la pared y el electrodoméstico. Examine las instrucciones de instalación de este manual.
2. Una vez enchufado el refrigerador, asegúrese de que el foco interior se ilumina al abrir las puertas.
3. Ajuste el control en la temperatura más fría y espere una hora. La nevera deberá enfriarse ligeramente y el motor funcionar suavemente.
4. Tras poner en funcionamiento el refrigerador, harán falta varias horas para alcanzar la temperatura asignada. Puede introducir alimentos y bebidas en el refrigerador una vez la temperatura sea suficientemente fría.



Chequee la siguiente lista de accesorios.



Filtro de agua
(DA29-00003G)



Llave Allen
(DA80-00002C)



Dispositivo de
sujeción
(DA60-00143B)

DESMONTAJE DE LAS PUERTAS DEL REFRIGERADOR

Si el refrigerador es demasiado grande para que pase fácilmente por la entrada, puede desmontar las puertas del refrigerador.

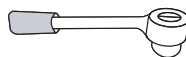
Herramientas necesarias



Destornillador
Philips



Destornillador de
cabeza plana



Llave(10mm)



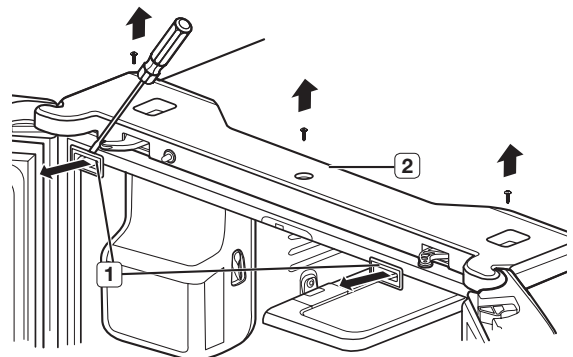
Alicates



Llave Allen(3/16")
(5mm)

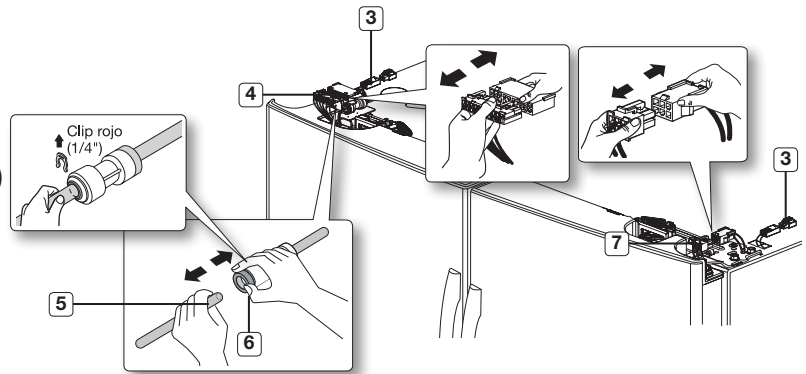
Desmontaje de las puertas del refrigerador

1. Con la puerta abierta, retire la tapa superior del cuadro (1) mediante el destornillador de cabeza plana y cierre la puerta. Extraiga los 3 pernos sujetando la parte superior del cuadro y retírela (2).



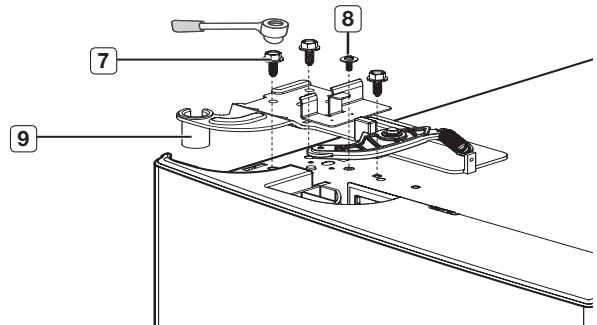
Instalación de su refrigerador de tres puertas

2. Desconecte los dos conectores (3) a cada lado de la tapa superior, el conector (7) de la puerta derecha y el otro conector (4) de la puerta izquierda. Retire el tubo (5) presionando la pieza de color gris oscuro (6) del acoplador de la tubería de agua.

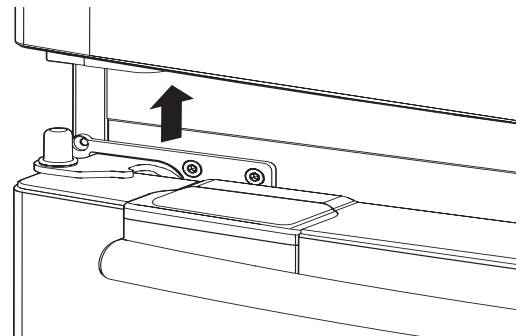


PRECAUCIÓN Si el acoplador incluye una abrazadera roja, deberá retirarla antes de retirar el tubo.

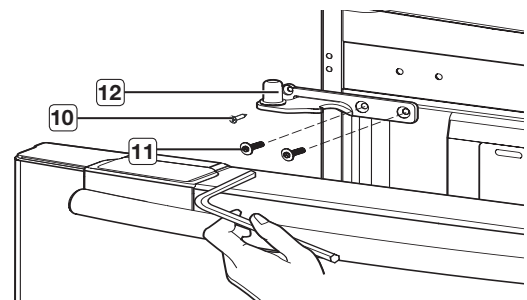
3. Extraiga los 3 pernos hexagonales (7) que se encuentran fijados a las bisagras superiores de la puerta izquierda y derecha con una llave Allen (10mm). Con un destornillador de cabeza Philips, extraiga el perno de puesta a tierra (8) que se encuentra fijado a las bisagras superiores de la puerta izquierda y derecha. Retire las bisagras superiores de la puerta izquierda y derecha (9).



4. Levante la puerta hacia arriba para extraerla.

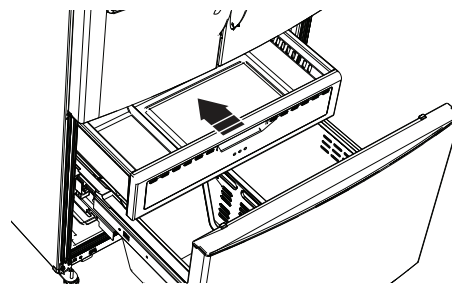


5. Con un destornillador de cabeza Philips, extraiga los pernos (10) fijados a las bisagras inferiores de la puerta izquierda y derecha. Con ayuda de una llave Allen (3/16"), extraiga los dos pernos de cabeza hexagonal (11) fijados en la parte inferior de las bisagras de la puerta izquierda y derecha. Retire las bisagras inferiores de la puerta izquierda y derecha (12).

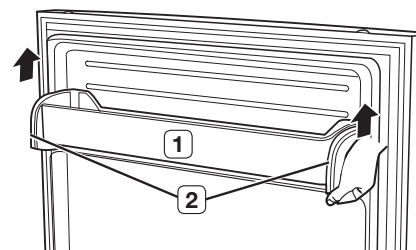


MONTAR LA GAVETA DE LA NEVERA

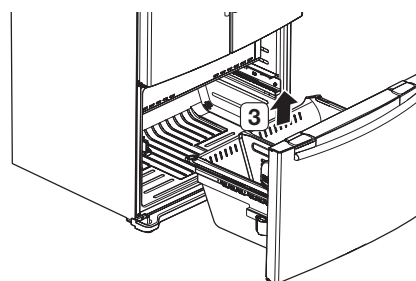
1. Extraiga el compartimento superior levantándolo.



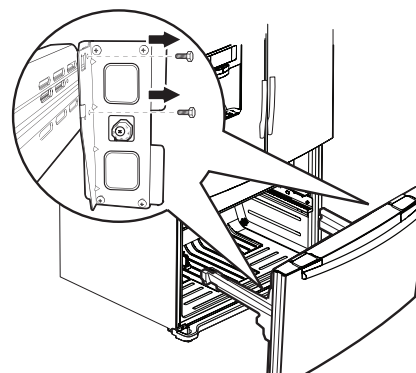
2. Extraiga la compartimento inclinable (1) tirando hacia arriba de los soportes (2) al mismo tiempo.



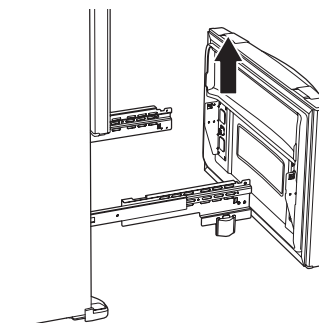
3. Saque la cesta inferior (3) levantándola del sistema de raíles.



4. Retire cuatro pernos de cabeza hexagonal de 10mm de ambos lados.



5. Levante la puerta de la nevera de los raíles.

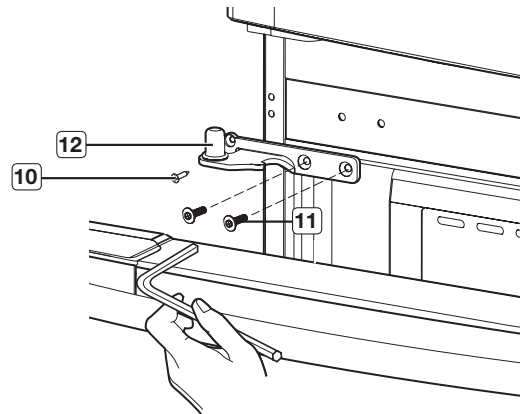


Instalación de su refrigerador de tres puertas

DESMONTAJE DE LAS PUERTAS DEL REFRIGERADOR

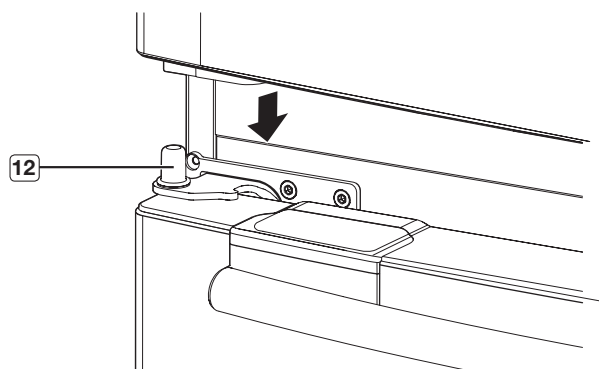
Montaje de las puertas del refrigerador

1. Vuelva a montar las bisagras inferiores izquierda y derecha de la puerta (12). Con la ayuda de un destornillador de cabeza Philips, introduzca y apriete el perno (10) en las bisagras inferiores izquierda y derecha de la puerta. Con ayuda de una llave Allen (3/16"), introduzca y apriete los dos pernos de cabeza hexagonal (11) en las bisagras inferiores izquierda y derecha de la puerta.

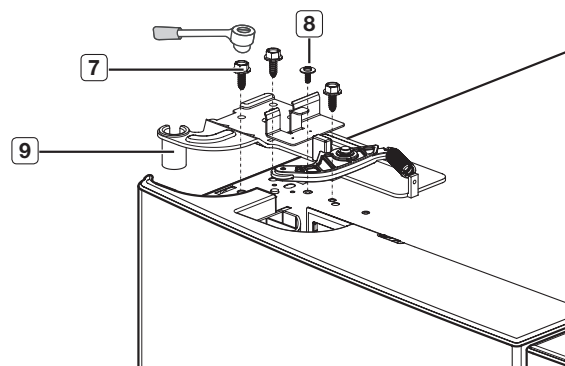


2. Haga coincidir el orificio de la base de la puerta con la bisagra inferior (12).

 Asegúrese de no perder la tapa de la bisagra que es muy fácil de quitar.




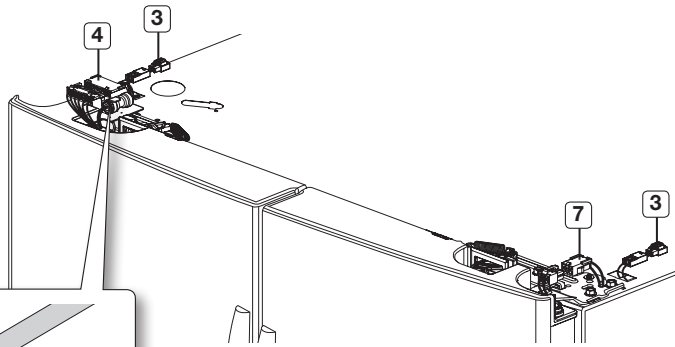
3. Introduzca las bisagras superiores (9) en los orificios situados en la parte superior de las puertas. Con ayuda de una llave Allen (10mm), introduzca y apriete los 3 pernos de cabeza hexagonal (7) en las bisagras superiores de la puerta izquierda y derecha. Con la ayuda de un destornillador de cabeza Philips, introduzca y apriete el perno de puesta a tierra (8) en las bisagras superiores de la puerta izquierda y derecha.



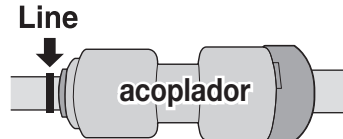
DESMONTAJE DE LAS PUERTAS DEL REFRIGERADOR

4. Conecte la tubería de agua (5) y luego inserte una grapa en el acoplador tirando del tubo. Conecte el conector (4) de la puerta izquierda, el otro conector (7) de la puerta derecha y los dos conectores (3) a cada lado de la tapa superior.

 La abrazadera se encuentra en el interior de la tapa superior.

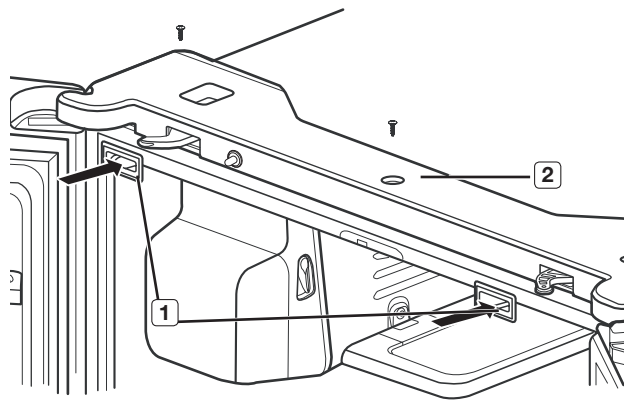


La línea de agua (5) debe insertarse completamente en la línea marcada para evitar fugas de agua del dispensador



5. Sitúe el cuadro superior (2) en su lugar. Con la ayuda de un destornillador Phillips, introduzca y apriete los 3 pernos del cuadro superior. Con la puerta abierta, vuelva a introducir la tapa del cuadro superior (1) y cierre las puertas.

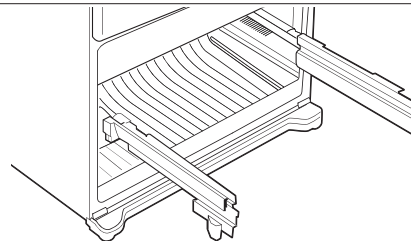
 Al volver a montar el cuadro superior, asegúrese de que esta no comprima o dañe los cables.



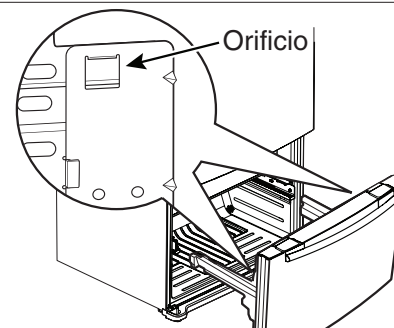
Instalación de su refrigerador de tres puertas

MONTAR LA GAVETA DE LA NEVERA

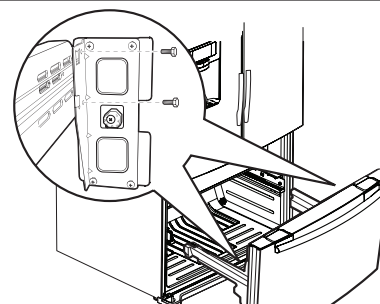
1. Extraiga completamente los raíles de cada lado de la carcasa.



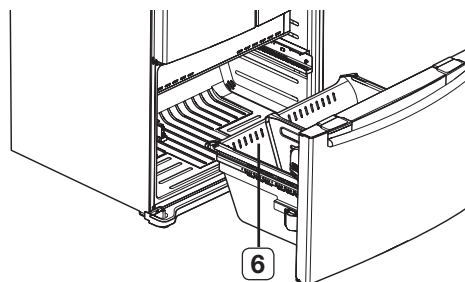
2. Fije la puerta de la nevera sobre las ranuras abiertas de los lados.



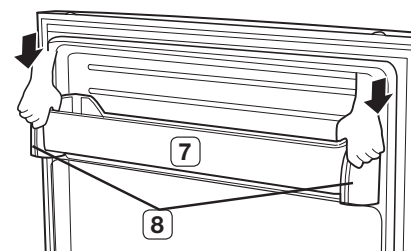
3. Apriete por completo los 4 pernos de cabeza hexagonal con la ayuda de una llave tubular (10mm).




4. Introduzca la cesta inferior ((6)) dentro del sistema de rieles.

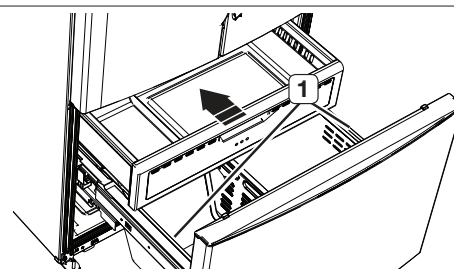


5. Enganche los extremos del compartimento inclinable ((7)) dentro de los soportes de protección y presione hasta encajarlo en su posición.



6. Introduzca la gaveta superior.

 Retire los 2 pedazos de cinta ((1)) adheridos al lateral del compartimento de la gaveta. Vuelva a adherir la cinta en la misma posición al desplazar el refrigerador, para evitar arañazos en el compartimento de la gaveta.

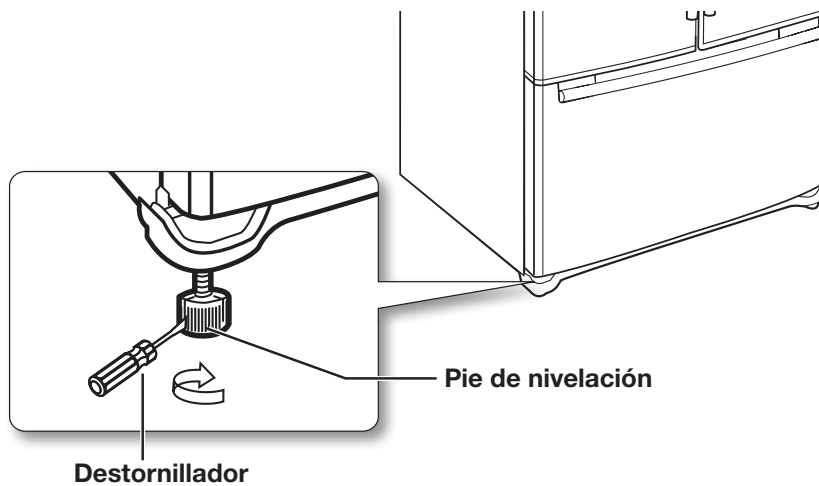


AJUSTE DE LAS PUERTAS

Ahora que las puertas están aseguradas en el refrigerador, necesitará chequear que esté nivelado, para lo que puede realizar ajustes finales. Si el refrigerador no está nivelado, será imposible conseguir que las puertas se igualen de forma uniforme.

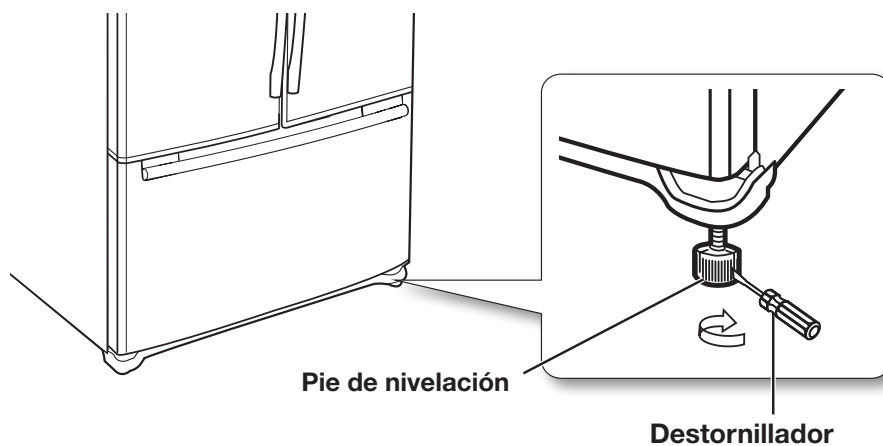
Cuando la puerta izquierda esté más baja que la derecha.


Introduzca un destornillador plano dentro de una ranura del pie de nivelación izquierdo y gírelo en sentido horario u antihorario para nivelar la puerta izquierda.



Cuando la puerta izquierda esté más alta que la derecha.

Introduzca un destornillador plano dentro de una ranura del pie de nivelación derecho y gírelo en sentido horario u antihorario para nivelar la puerta derecha.

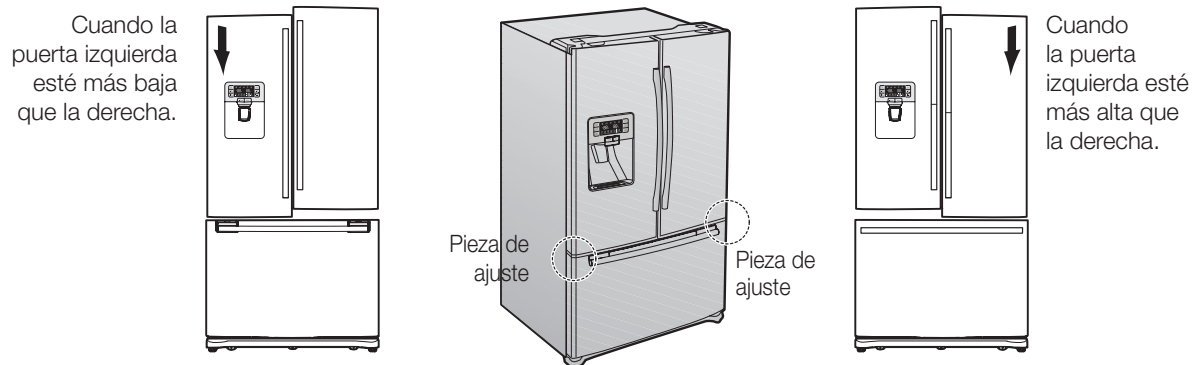


 Recomendamos no realizar pequeños ajustes en los pies de nivelación. En lugar de eso, examine la siguiente página para descubrir la mejor forma de realizar ajustes menores en las puertas.

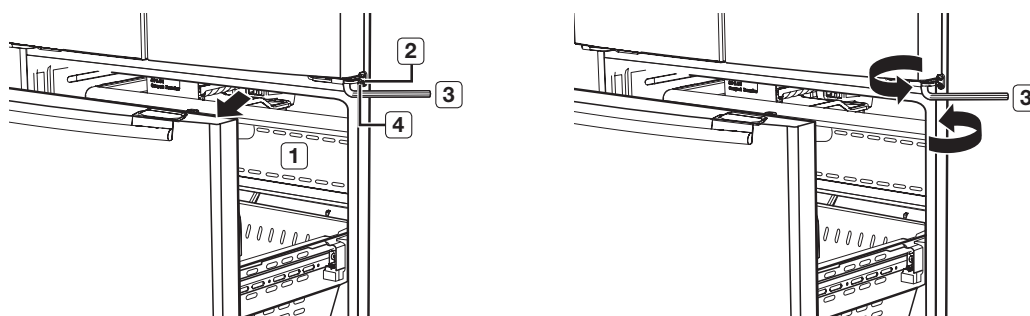
Instalación de su refrigerador de tres puertas

REALIZACIÓN DE AJUSTES MENORES ENTRE PUERTAS

Recuerde que es necesario que el refrigerador esté nivelado para lograr que las puertas estén igualadas de forma uniforme. Si necesita ayuda, revise las secciones anteriores relativas a la nivelación del refrigerador.

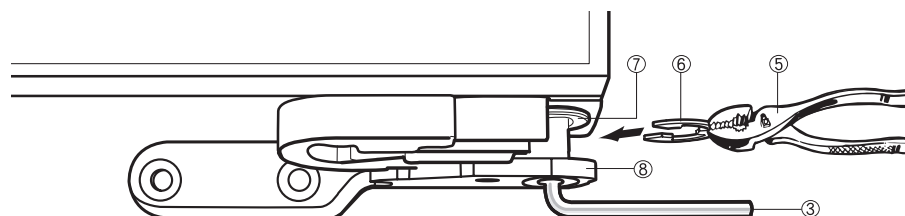



1. Si abre la gaveta (1), podrá ver la bisagra inferior (2).
2. Introduzca la llave Allen incluida (3) dentro de la ranura (4) de la bisagra inferior.
3. Ajuste la altura girando la llave Allen (3) en sentido horario (↻) o antihorario (↺).



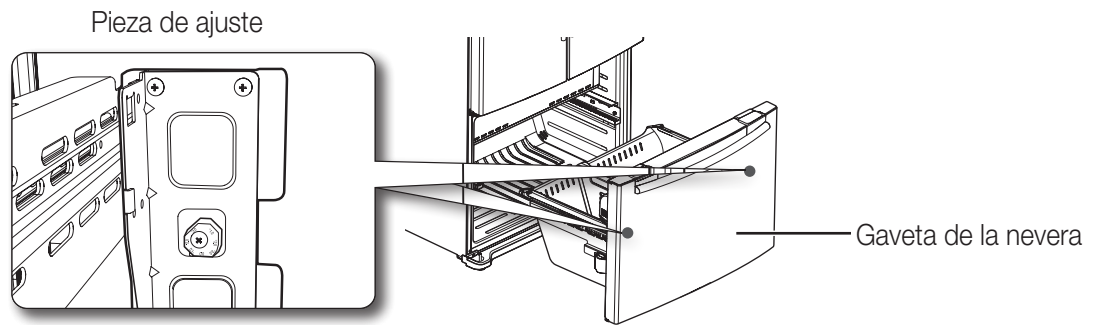
 Al girar la llave Allen en sentido antihorario (↺), la puerta se desplazará hacia arriba.

1. Tras ajustar las puertas, introduzca el anillo de sujeción incluido (5) usando un alicate (6) en el hueco entre el anillo de la bisagra (7) y la bisagra inferior (8). El número de anillos de sujeción a insertar dependerá del hueco.

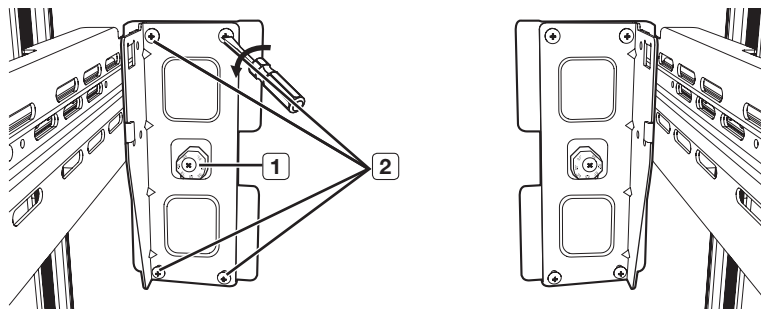


 Con el refrigerador se incluyen dos anillos de sujeción. El grosor de cada anillo de sujeción es de 1mm (0,04 pulgadas).

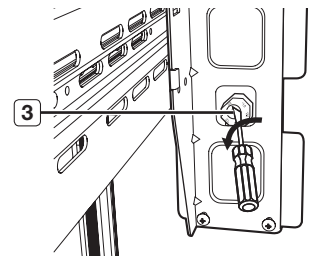
AJUSTE DEL NIVEL DE LA GAVETA DE LA NEVERA



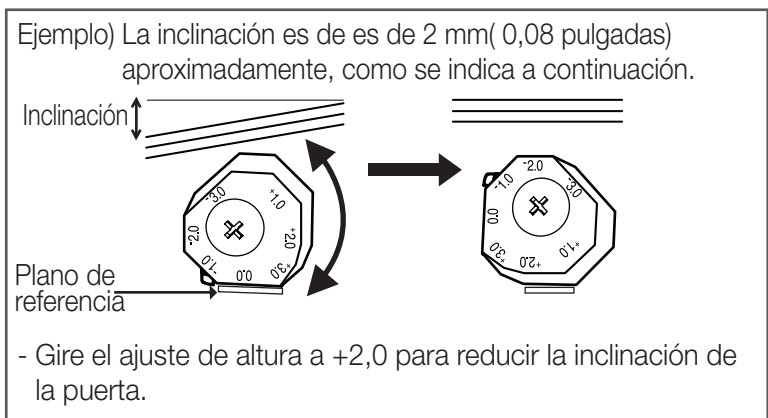
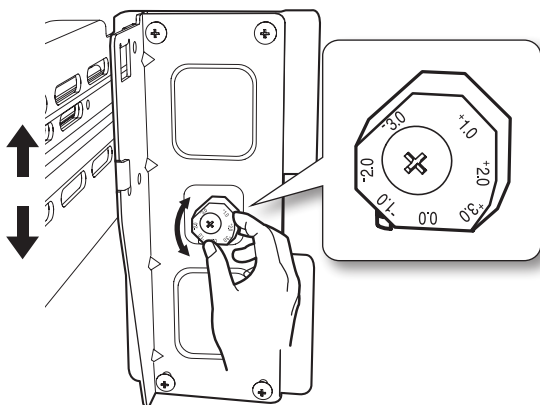
1. Localice el regulador de altura (1) en la gaveta de la nevera.
Desatornille parcialmente los cuatro pernos Phillips (2) para aflojar la puerta.



2. Afloje el perno de control (3) con un destornillador Phillips.



3. Busque el mejor nivel de ajuste para la inclinación de la puerta.



→ Después del ajuste, en primer lugar apretar el tornillo (3) y, a continuación, el tornillo (2).

Instalación de su refrigerador de tres puertas

CHEQUEO DE LA TOMA DE AGUA DEL DISPENSADOR


Un dispensador es sólo una de las características útiles de su nuevo refrigerador Samsung. Para fomentar una mejor salud, el filtro de agua Samsung elimina partículas no deseadas del agua. Sin embargo, no esteriliza ni destruye microorganismos. Para lograr esto último, debe adquirir un sistema purificador de agua.

Para que la máquina de hielo funcione correctamente, es necesaria una presión de agua de 20~125 psi (libras por pulgada cuadrada)

En condiciones normales, un vaso de papel de 170 cc (5,75 onzas) debe poder llenarse en 10 segundos.

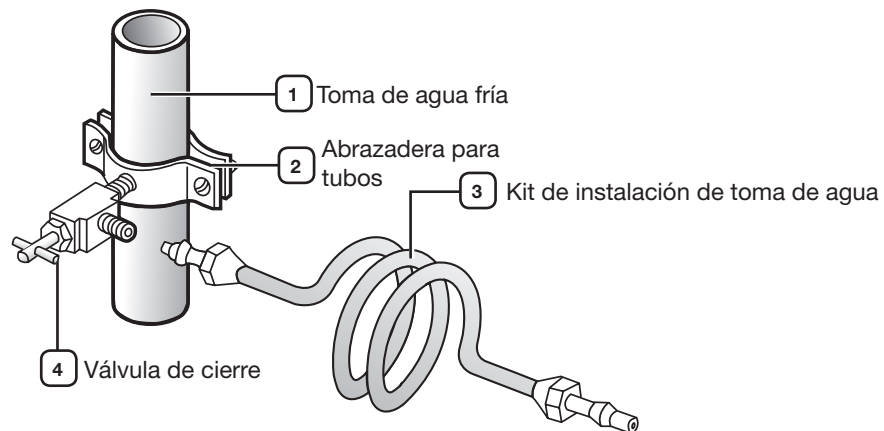
Si la zona de instalación del refrigerador dispone de una presión baja de agua (por debajo de 20 psi), puede instalar una bomba auxiliar para compensar la falta de presión.

Asegúrese de que el depósito de almacenamiento de agua situado en el interior del refrigerador esté adecuadamente lleno. Para hacerlo, pulse la palanca del dispensador de agua hasta que el líquido salga a través de la salida.

-  En su distribuidor encontrará disponibles kits de instalación para la toma de agua por un coste adicional. Recomendamos usar un kit de suministro de agua que contenga tubos de cobre.

Conexión de la toma de suministro de agua

1. Primero, corte la toma de suministro de agua principal y apague la máquina de hielo.
2. Localice la toma de agua fría potable más cercana.
3. Tras montar el filtro del agua, haga correr 3 galones de agua a través del filtro antes de utilizarlo (durante aproximadamente 6 minutos).

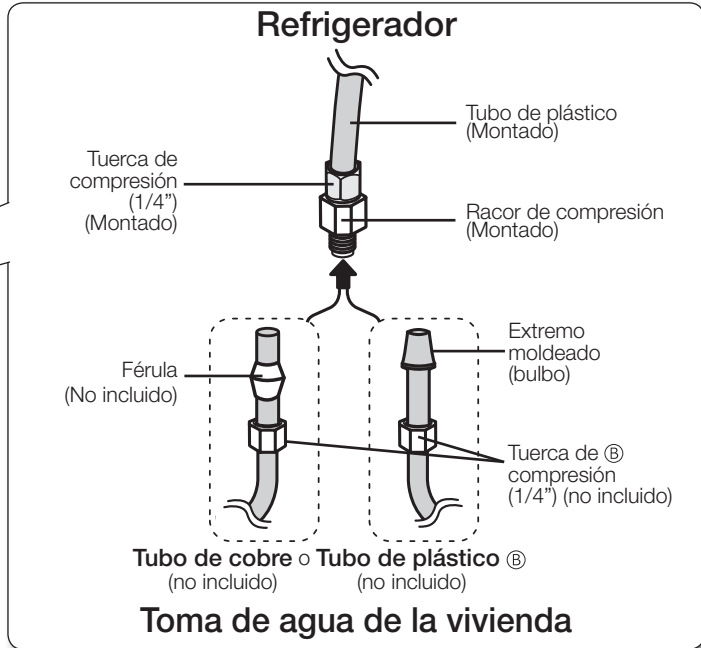
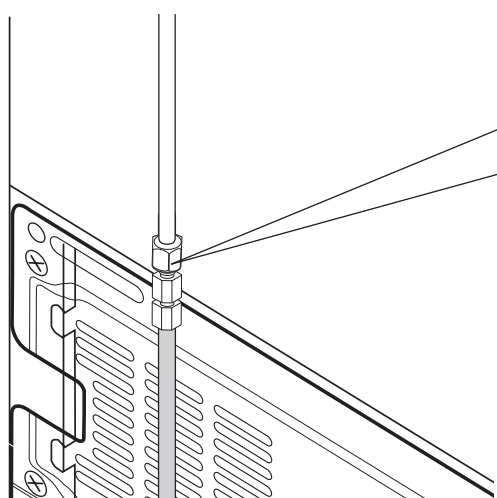


INSTALACIÓN DE LA TOMA DE AGUA DEL DISPENSADOR

Conexión de la toma de agua al refrigerador

Deberá adquirir varios elementos para realizar esta conexión. Podrá encontrar estos elementos a la venta en forma de kit, en su ferretería habitual.

- Tuerca de compresión de 1/4"
- tubo de cobre
- tubo de plástico
- férula
- férula



1. Conecte la tubería del agua corriente al acople de compresión ensamblado.
 - Si está usando tubo de cobre, deslice la tuerca de compresión (no incluida) y la férula (no incluida) por el tubo de cobre (no incluido) como se indica.
 - Si está usando conductos de plástico, introduzca el extremo moldeado (bulbo) del tubo dentro del racor de compresión.

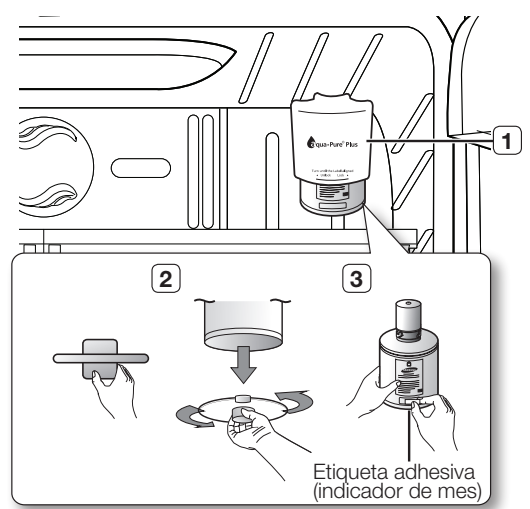
PRECAUCIÓN No usar sin el extremo moldeado (bulbo) de la tubería de plástico.

2. Apriete la tuerca de compresión sobre el racor de compresión. No fuerce la tuerca de compresión.
3. Abra el suministro de agua y realice un chequeo en busca de fugas.

Conecte la toma de agua sólo a una fuente de agua potable. Si debe reparar o desmontar la toma de agua, corte 6,35 mm (1/4") del tubo de plástico para garantizar una conexión ajustada y sin fugas.

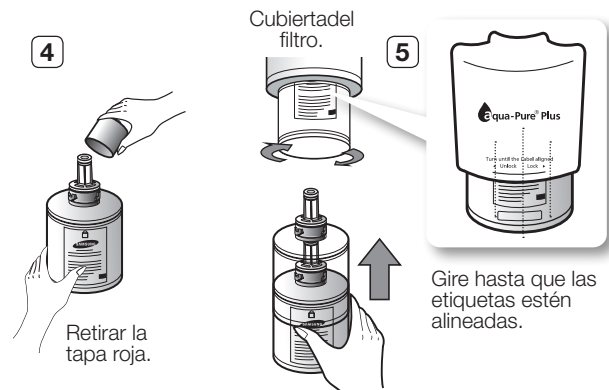
Instalación del filtro de agua.

1. Retire la tapa del filtro de agua (1)
2. Retire la tapa fija girándola en sentido antihorario. Guarde la tapa en un lugar seguro para usarla en caso de no usar filtro.
3. Retire el filtro de agua de la caja y coloque una etiqueta adhesiva indicadora de reemplazo sobre el filtro como se indica. Coloque una etiqueta adhesiva sobre el filtro de recordatorio, para seis meses después. Por ejemplo, si instala el filtro de agua en marzo, coloque la etiqueta "SEP" sobre el filtro para recordarle que debe reemplazar en septiembre. De esta forma, sabrá cuándo debe reemplazar el filtro. Normalmente, un filtro dispone de una vida útil de unos 6 meses.



Instalación de su refrigerador de tres puertas

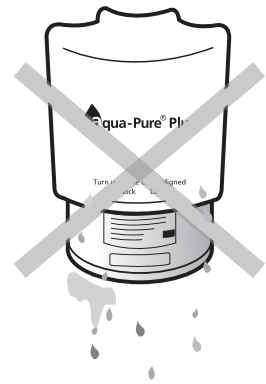
4. Retire la tapa del filtro e introdúzcalo en su alojamiento.
5. Gire lentamente el filtro de agua 90° en sentido horario para alinearlo con la marca impresa situada en la cubierta, bloqueando el filtro en su posición. Asegúrese de alinear la marca de la etiqueta del filtro de agua con el centro de la impresión de la cubierta del filtro como se indica en la ilustración. Recuerde, no lo fuerce.




-  Deberá retirar la balda de cristal superior del lado derecho, antes de proceder a la instalación de filtros de agua.

Eliminación de cualquier sustancia residual del interior de la toma de suministro de agua tras la instalación del filtro de agua.

1. Abra el suministro de agua principal y cierre la válvula de la toma de suministro de agua.
2. Deje correr el agua a través del dispensador hasta que salga transparente (6-7 minutos aprox.). Limpiará el sistema de suministro de agua y eliminará aire de los conductos.
3. En algunos hogares podría necesitarse una descarga mayor. Abra la puerta del refrigerador y asegúrese de que no existen fugas de agua procedentes del filtro.



-  Asegúrese de enjuagar a fondo el dispensador, de lo contrario el agua podría gotear. Esto significa que aún queda aire en la toma.

Suministro de agua por ósmosis inversa

IMPORTANTE : La presión del suministro de agua procedente de un sistema de ósmosis inversa dirigida hacia la válvula de entrada de agua del refrigerador debe encontrarse entre 35 y 120 psi (241 y 827 kPa).

Si se conecta un sistema de filtrado de agua por ósmosis inversa a su suministro de agua fría, la presión del agua a dicho sistema debe contar con un mínimo de 40 a 60 psi (276 a 414 kPa).

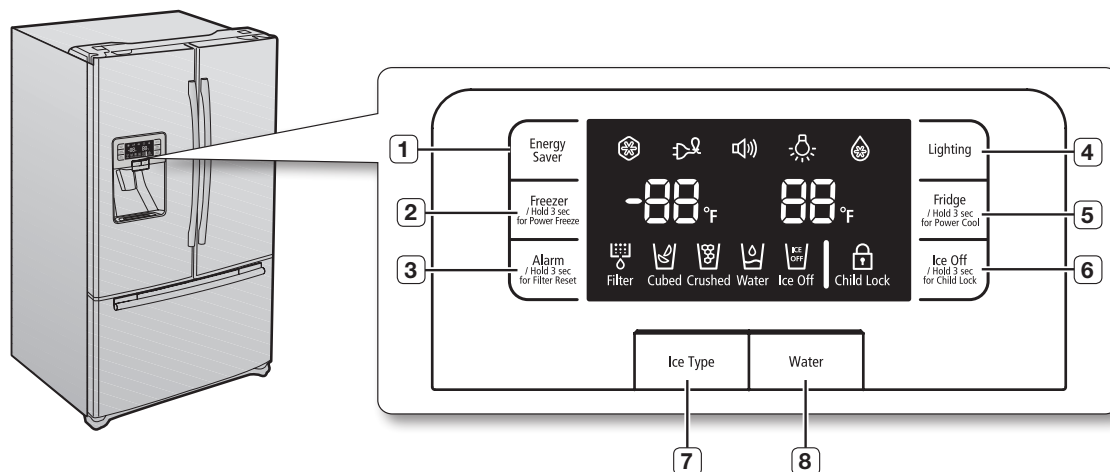
Si la presión del agua hacia al sistema de ósmosis inversa está por debajo de 40 a 60 psi (276 a 414 kPa):

- Chequear si el filtro de sedimentos del sistema de ósmosis inversa está obstruido. Reemplace el filtro si fuera necesario.
- Permita que el depósito de almacenamiento del sistema de ósmosis inversa vuelva a llenarse tras un uso exigente.
- Si su refrigerador dispone de un filtro de agua, este podría reducir aún más la presión de agua al usarse junto con un sistema de ósmosis inversa. Desmonte el filtro de agua.

Si tiene alguna duda respecto a la presión de agua disponible, póngase en contacto con un fontanero cualificado y autorizado.

Funcionamiento del refrigerador SAMSUNG de tres puertas

USO DEL PANEL DE CONTROL

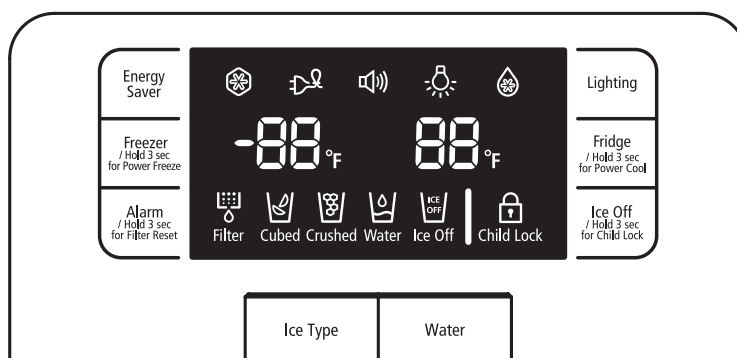


| | |
|---|---|
| <p>(1) Botón Energy Saver (Ahorro de energía)</p> | <p>Para mejorar el rendimiento energético, pulse el botón Energy Saver (Ahorro de energía). Si se produjese condensación en las puertas, desactive la función Energy Saver.</p> |
| <p>(2) Botón Freezer/Power Freeze (Nevera Congelación rápida)</p> | <p>Pulse el botón Freezer / Power Freeze (Nevera / Congelación rápida) para ajustar la nevera a la temperatura deseada. Puede ajustar la temperatura entre 8° F y -8° F. Mantenga pulsado el botón Freezer / Power Freeze (Nevera / Congelación rápida) durante 3 segundos para acelerar el tiempo necesario para congelar productos en la nevera. Puede ser útil si necesita congelar rápidamente artículos que se estropeen de prisa o si la temperatura de la nevera fuese muy alta (por ejemplo, si la puerta se ha dejado abierta).</p> |
| <p>(3) Botón Alarm/Hold 3sec for Filter Reset (Alarma/mantener 3 segundos para reiniciar el filtro)</p> | <p>Pulse el botón Alarm (Alarma) para desactivar la alarma de puerta abierta. Tras reemplazar el filtro de agua viejo e instalar uno nuevo, reinicie el indicador manteniendo pulsado el botón "Alarm" (Alarma) durante 3 segundos. El indicador se volverá a iluminar pasados 6 meses para recordarle que es necesario cambiar el filtro de agua.</p> |
| <p>(4) Botón Lighting (Iluminación)</p> | <p>Pulse el botón Lighting (Iluminación) para prender la iluminación LED del dispensador.</p> |
| <p>(5) Botón Fridge/Hold 3 sec for Power Cool (Refrigerador/mantener 3 segundos para enfriamiento rápido)</p> | <p>Pulse Fridge/Hold 3 sec for Power Cool (Refrigerador/mantener 3 segundos para enfriamiento rápido) para ajustar el refrigerador a la temperatura deseada. Puede ajustar la temperatura entre 1°C y 8° C (34°F y 46°F). Mantenga pulsado el botón Fridge/Hold 3 sec for Power Cool (Refrigerador/mantener 3 segundos para enfriamiento rápido) durante 3 segundos para acelerar el tiempo necesario para enfriar productos en el refrigerador. Puede ser útil si necesita enfriar rápidamente artículos que se estropeen de prisa o si la temperatura del refrigerador fuese muy alta (por ejemplo, si la puerta se ha dejado abierta).</p> |
| <p>(6) Ice Off / Hold 3 sec to Child Lock (Hielo desac./mantener 3 segundos para bloqueo infantil)</p> | <p>Pulse el botón Ice Off (Hielo desac.) para desactivar la función de elaboración de hielo. Si mantiene pulsado el botón Ice Off / Hold 3 sec to Child Lock (Hielo desac./mantener 3 segundos para bloqueo infantil) durante 3 segundos, la pantalla de visualización y el dispensador quedarán bloqueados.</p> |
| <p>(7) Botón Ice Type (Tipo de hielo)</p> | <p>Pulse el botón Ice Type (Tipo de hielo) para escoger el tipo de hielo que desea. Se puede alternar entre los modos de hielo en cubitos o hielo picado pulse el botón. Tras escoger, pulse cuidadosamente la palanca del dispensador con el vaso. Este modo no puede usarse de forma simultánea con el modo Agua.</p> |
| <p>(8) Botón Water (Agua)</p> | <p>Pulse el botón Water (Agua) para dispensar agua. No existe modo de desactivación adicional. Tras escoger, pulse con cuidado la palanca del dispensador con el vaso. Este botón no puede usarse de forma simultánea con el botón Ice Type (Tipo de hielo). El modo Agua quedará desactivado al pulsar el botón Ice Type (Tipo de hielo).</p> |
| <p>(1),(2) ENFRIAMIENTO DESAC.</p> | <p>La refrigeración dejará de enfriar tanto en el compartimento de la nevera como en el refrigerador, pero no desactivará la alimentación eléctrica del electrodoméstico. Para usar esta función, pulse simultáneamente los botones Energy Saver y Freezer/Hold 3 sec for Power Freeze durante 3 segundos, hasta que se oiga un sonido de aviso. Para cancelar este modo, pulse de nuevo los mismos botones durante 3 segundos. Incluso aunque se apague y prenda, el modo de enfriamiento desactivado permanecerá.</p> |

Funcionamiento del refrigerador SAMSUNG de tres puertas

USO DE LA PANTALLA DIGITAL

La pantalla de visualización se apagará cuando no se use. Esto es normal.



Congelación rápida

Este icono se iluminará al activar la función “Power Freeze” (Congelación rápida). “Power Freeze” (Congelación rápida) es fantástico para esos momentos en los que necesita disponer de una gran cantidad de hielo. Cuando tenga suficiente, simplemente pulse de nuevo el botón para cancelar el modo “Power Freeze” (Congelación rápida). Si escoge “Power Freeze” (Congelación rápida), la temperatura interior del refrigerador descenderá en dos horas y media aproximadamente.

Cubitos , hielo picado , agua

Disfrute de cubitos o hielo picado escogiéndolo mediante el panel de control digital. Si no necesita hielo, desactive la función para ahorrar agua y energía. La luz de tipo de hielo indica el tipo escogido (o si está desactivado) actualmente.

Enfriamiento rápido

Este icono se iluminará al activar la función mediante el botón “Power Cool” (Enfriamiento rápido). Use “Power Cool” (Enfriamiento rápido) para enfriar rápidamente el refrigerador. Si escoge “Power Cool” (Enfriamiento rápido), la temperatura interior del refrigerador descenderá en dos horas y media aproximadamente.

Indicador del filtro

Cuando la luz del indicador del filtro se ilumine, es el momento de cambiar el filtro. Normalmente esto sucede cada 6 meses aproximadamente. Cuando introduzca el filtro de agua, el indicador del filtro se ilumina en azul al principio. El indicador del filtro pasará a iluminarse en púrpura tras 5 meses de uso. El indicador del filtro pasará a iluminarse en rojo cuando lo lleve usando 6 meses.

Tras extraer el viejo filtro de agua e instalar el nuevo (examine la página 33 para obtener las instrucciones), reinicie el indicador manteniendo pulsado el botón “Ice/Water” (Hielo/Agua) durante 3 segundos.

Modo de enfriamiento desactivado (código “OF & OF” en la pantalla de visualización)



Esta función se usa para refrigeradores de muestra en tiendas. No para uso doméstico.



PRECAUCIÓN

Con la función Modo de enfriamiento desactivado, el refrigerador funciona pero no enfría el aire. Para cancelar este modo, pulse al mismo tiempo los botones Energy Saver y Freezer (Ahorro de energía y Heladera) durante 3 segundos hasta oír un “Ding-dong” y la unidad ya enfriará.

Ahorro de energía

Este icono se iluminará al activar la función “Energy Saver” (Ahorro de energía) que se establece automáticamente en “ON” conectando el refrigerador. Si se produce condensación en las puertas, desactive la función Ahorro de energía.

Iluminación

Este icono se iluminará al activar la función “Lighting” (Iluminación). En este caso, la luz del dispensador (bajo la pantalla) permanecerá encendida constantemente. Si desea que la luz del dispensador se ilumine sólo cuando esté usándose, desactive la función “Lighting” (Iluminación).

Alarma

Este icono se iluminará al activar la función “Alarm” (Alarma). La alarma de puerta sonará si se deja abierta cualquier puerta durante más de 3 minutos. El aviso sonoro se detendrá cuando cierre la puerta. Inicialmente la alarma está activada.

Hielo desactivado

Este icono se iluminará al activar la función “Ice Off” (Hielo desac.). En este caso, no se elaborará hielo.

Bloquear

Este icono se iluminará al activar la función “Lock” (Bloquear). En este estado, no podrá usar el panel de control. Si mantiene pulsado el botón Ice Off / Lock (Hielo desac. / Bloquear) durante 3 segundos, podrá usar de nuevo el panel de control.

CONTROL DE LA TEMPERATURA

Temperatura básica de los compartimentos de la nevera y el refrigerador


La temperatura básica o recomendada para los compartimentos de la nevera y el refrigerador es de -19°C (-2°F) y 3°C (38°F) respectivamente. Si la temperatura de los compartimentos de la nevera y el refrigerador es demasiado alta o baja, ajuste la temperatura manualmente.

Control de la temperatura de la nevera

La temperatura de la nevera debe estar ajustada entre -13°C y -22°C (8°F y -8°F) para adaptarse a sus necesidades particulares. Pulse el botón Freezer (Nevera) varias veces hasta que la temperatura deseada aparezca en la pantalla de visualización. Tenga en cuenta que alimentos como el helado pueden derretirse a -16°C (4°F). La pantalla de visualización de temperatura se moverá secuencialmente de -22°C a -13°C (-8°F a 8°F). Cuando la pantalla alcance los -13°C (8°F), la visualización de temperatura volverá a los -22°C (-8°F).

Control de la temperatura del refrigerador

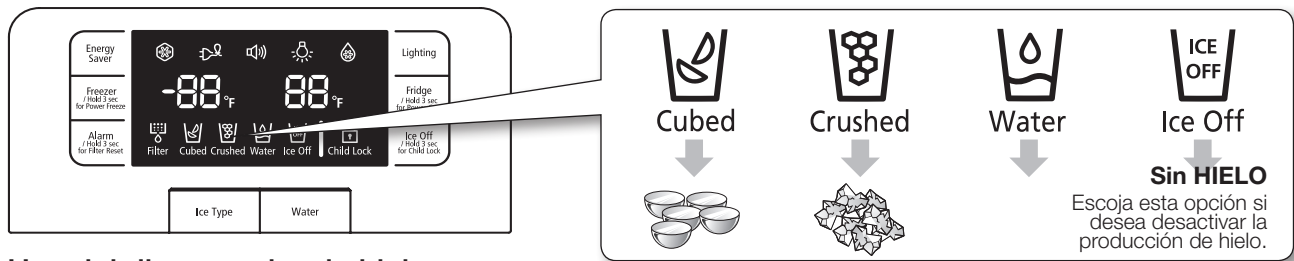
La temperatura del refrigerador debe estar ajustada entre 8°C y 1°C (46°F y 34°F) para adaptarse a sus necesidades particulares. Pulse el botón Fridge (Refrigerador) varias veces hasta que la temperatura deseada aparezca en la pantalla de visualización. El proceso de control de temperatura para el refrigerador funciona de la misma forma que el de la nevera. Pulse el botón Fridge (Refrigerador) para ajustar la temperatura deseada. Pasados unos segundos, el refrigerador se encaminará hacia la temperatura recientemente ajustada. Lo que se reflejará en la pantalla de visualización digital.

-  - La temperatura de la nevera o el refrigerador puede aumentar debido a una apertura frecuente de las puertas o a la introducción, en cualquiera de ellos, de una gran cantidad de alimentos calientes.
- Esto puede provocar que la pantalla de visualización parpadee. Una vez que la nevera y el refrigerador vuelven a sus temperaturas normales de ajuste, el parpadeo cesará.
- Si continúa parpadeando, puede ser necesario “reiniciar” el refrigerador. Pruebe desenchufando el electrodoméstico, esperando unos 10 minutos y volviéndolo a enchufar.
- La temperatura de la zona Pantry (despensa) puede ser ligeramente diferente según el emplazamiento interior.
- Si se produce un error de comunicación entre la pantalla de visualización y el controlador principal, la luz de la pantalla Pantry puede parpadear. Una vez que la comunicación vuelve a sus temperaturas normales de ajuste, el parpadeo cesará. Si el parpadeo continúa durante un período de tiempo prolongado, póngase en contacto con el servicio técnico de Samsung Electronics.

Funcionamiento del refrigerador SAMSUNG de tres puertas

USO DEL DISPENSADOR DE AGUA FRÍA

Pulse el botón Ice / Water (Hielo / Agua) para escoger el tipo de hielo que desea.



Uso del dispensador de hielo

Coloque un vaso bajo el dispensador de hielo y pulse, con él, la palanca del dispensador cuidadosamente. Asegúrese de que el vaso se encuentra en línea con el dispensador para evitar que el hielo salte.



PRECAUCIÓN

Veillez attendre 2 secondes avant de retirer le verre sous le distributeur afin de prévenir les déversements. Si la porte du réfrigérateur s'ouvre, le distributeur ne fonctionne pas.

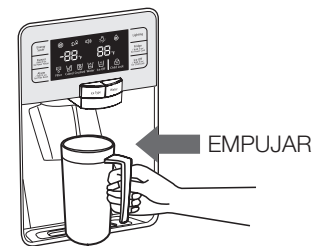


PRECAUCIÓN

- Al escoger la función Cubed Ice (cubitos de hielo) tras usar la función Crushed Ice (hielo picado), puede producirse una pequeña cantidad de hielo picado residual.

• Instalación del dispensador de agua

Tras la instalación, pulse el brazo del dispensador durante al menos 2 minutos para eliminar el aire atrapado en la toma de agua y para llenar el sistema de agua.



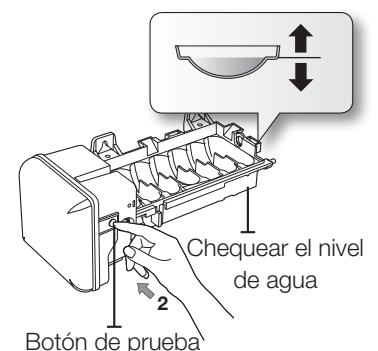
PRECAUCIÓN

- En caso de que el hielo no salga, extraiga el depósito de hielo y pulse el botón de prueba situado a la derecha de la máquina de hielo.
- No pulse el botón de prueba de forma continua cuando la bandeja está llena de hielo o agua como se indica en la ilustración. Podría producirse un derramamiento de agua o un bloqueo de hielo.

• Uso normal

Para llenar el depósito de hielo a su máxima capacidad tras la instalación, asegúrese de seguir los pasos expuestos a continuación.

- Permita que su refrigerador funcione y enfríe durante 24 horas (o durante 1 día completo).
- Una espera de 24 horas permitirá que su máquina de hielo enfríe de forma adecuada.
- Dispense de 4 a 6 cubitos de hielo dentro del vaso.
- Transcurridas 8 y 16 horas, dispense un vaso entero de cubitos cada vez.

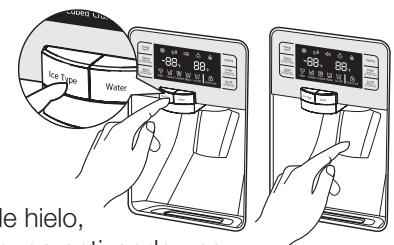


PRECAUCIÓN

Cuando vacíe la cubeta de hielos, usted debe presionar una vez la palanca del dispensador de hielos con la función "ice cubed" o "crushed" en posición ON para obtener hielo rápidamente después de colocar nuevamente la cubeta de hielos en el refrigerador.



Cada vez que se use todo el hielo de unavez, deben repetirse los pasos 3 y 4 anteriores. (antes de dispensar los primeros 4 a 6 cubitos de hielo, es preciso esperar 8 horas). Esto permitirá el reabastecimiento de cubitos, garantizando una elaboración de hielo máxima.



Uso del dispensador de agua

Coloque un vaso bajo la salida de agua y pulse, con él, la palanca del dispensador cuidadosamente. Asegúrese de que el vaso se encuentra en línea con el dispensador para evitar que el agua salpique. Si acaba de instalar el refrigerador o montar un nuevo filtro de agua, haga correr 3 galones de agua a través del filtro antes de utilizarlo (durante aproximadamente 6 minutos). Asegúrese de que el agua vuelva a fluir limpia antes de beberla.

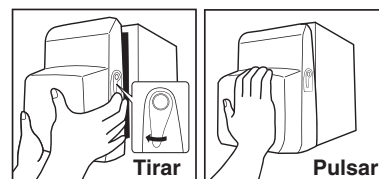


Cuando no use el dispensador de agua durante 2 ó 3 días (especialmente durante el verano), el agua dispensada podría presentar olores o sabores extraños.

Si esto ocurre, recomendamos que deseche los primeros 1 ó 2 vasos de agua para mejorar su sabor.

Uso de la función Ice Off (Hielo desac.)

Al escoger el modo Ice Off (Hielo desac.), retire todos los cubitos del depósito. Si no usa el dispensador de hielo, los cubitos pueden adherirse unos a otros. Tire de la palanca de bloqueo hacia adelante para desechar cubitos o extraer el hielo aglomerado del depósito. Pulse el depósito hacia atrás hasta escuchar un clic.



Si va a tomarse unas vacaciones o realizar un viaje de negocios de larga duración, cierre la válvula de agua y corte el suministro del refrigerador. Esto ayudará a evitar fugas accidentales.

No introduzca los dedos, manos ni ningún otro objeto inadecuado en el conducto de salida o en el depósito de la máquina de hielo.

- Hacerlo puede ocasionar lesiones físicas o daños materiales.

No introduzca los dedos ni ningún otro objeto en la salida del dispensador.

- Podría ocasionar lesiones.

No desmonte la máquina de hielo.

Podría desajustarse.

No salpique o rocíe agua en el depósito de hielo. Simplemente límpielo con un paño seco. Para que la máquina de hielo funcione correctamente, es necesaria una presión de agua de 138 a 862 kPa.



Fenómeno de enturbamiento del agua

Toda el agua suministrada a los refrigeradores pasa a través del filtro principal, que es un filtro de agua alcalino. En este proceso, la presión del agua que ha pasado por el filtro aumenta y el agua se satura de oxígeno y nitrógeno. Cuando el agua fluye de nuevo al aire, la presión se reduce y el oxígeno y el nitrógeno quedan supersaturados, por lo que se transforman en burbujas de gas. El agua podría adquirir un aspecto turbio debido a estas burbujas de oxígeno. El agua podría adquirir, temporalmente, un aspecto turbio debido a estas burbujas de oxígeno. Pasados unos segundos, el agua volverá a ser transparente.



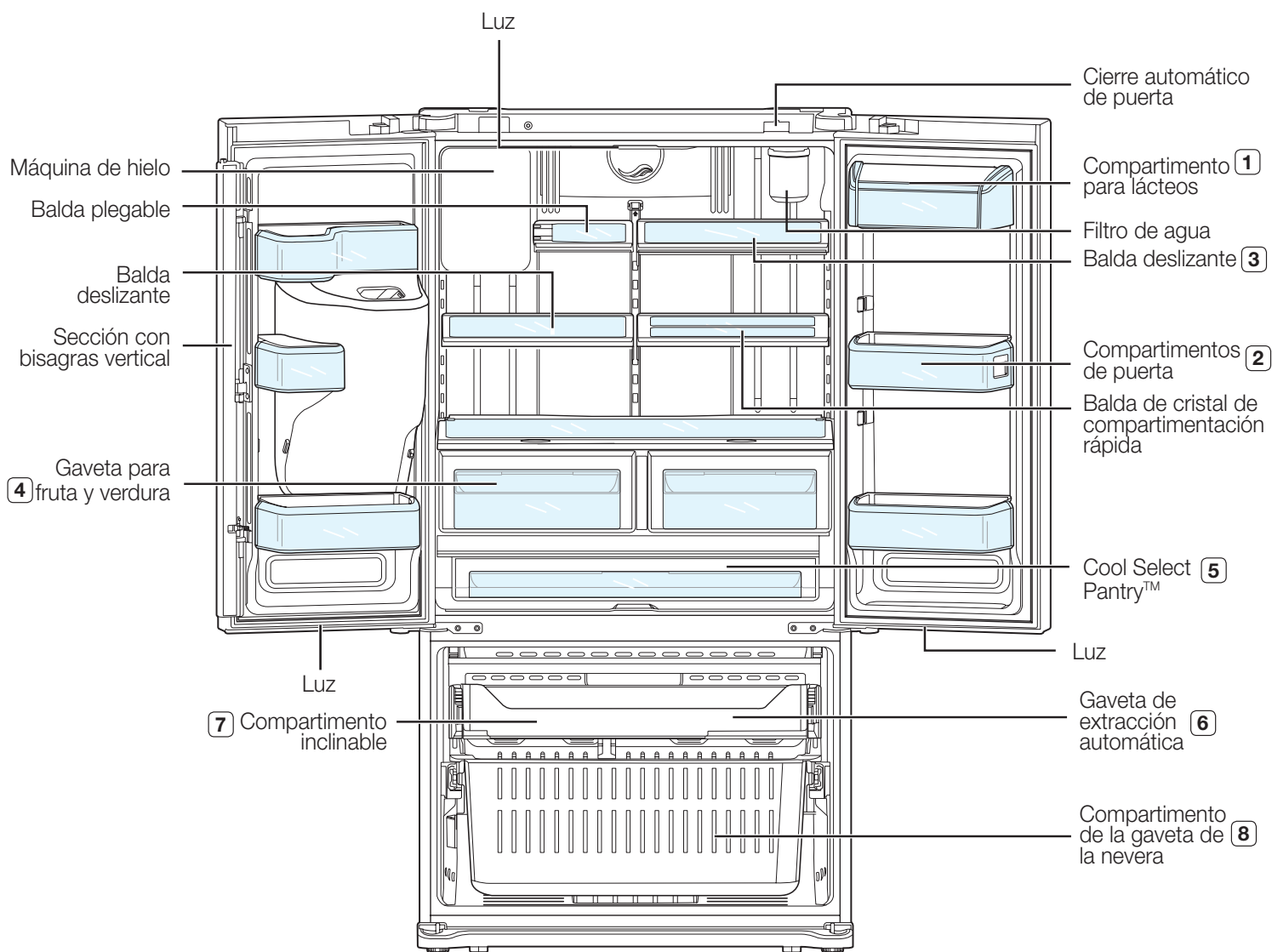
Tras dispensar agua, espere 1 segundo antes de retirar el vaso para evitar derrames. No tire de la palanca del dispensador una vez obtenido hielo o agua. Volverá automáticamente a su posición. El hielo se elabora en cubitos.

Al escoger "Crushed" (Hielo picado), la máquina de hielo tritura los cubitos para conseguir hielo picado.

Funcionamiento del refrigerador SAMSUNG de tres puertas

PARTES Y FUNCIONES

Use esta página para familiarizarse con las partes y funciones del refrigerador.



Al cerrar la puerta, asegúrese de que la sección con bisagras vertical se encuentra en posición correcta para evitar arañazos en la otra puerta.

Si la sección con bisagras vertical está al revés, devuélvala a su posición correcta y cierre la puerta.

En algunas ocasiones se puede producir humedad en la sección con bisagras vertical.

El tirador de la puerta puede aflojarse con el paso del tiempo.

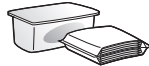




Si esto ocurre, apriete los pernos que se encuentran en la parte interior de la puerta.


Si cierra la puerta mediante una fuerza excesiva, pueden abrirse las otras puertas.

ALMACENAJE DE ALIMENTOS EN EL REFRIGERADOR

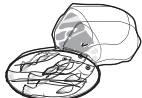
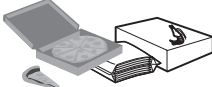

El refrigerador Samsung de tres puertas ha sido diseñado para proporcionarle características y funciones de ahorro máximo de espacio.



Aquí tiene algunos de los compartimentos personalizados que hemos creado para mantener sus alimentos frescos durante períodos de tiempo más largos. Para evitar la penetración de olores en el interior del compartimento del hielo, los alimentos almacenados deberán ser envueltos adecuadamente, tan herméticos como sea posible.

| | | |
|----------------------------------|---|--|
| (1) COMPARTIMENTO PARA LÁCTEOS | Puede usarse para almacenar pequeños artículos lácteos como mantequilla o margarina, yogurt o dados de crema de queso. |  |
| (2) COMPARTIMENTOS DE PUERTA | Diseñados para soportar artículos grandes y voluminosos como botellas de leche u otras botellas o recipientes de grandes dimensiones. |  |
| (3) BALDAS DE CRISTAL TEMPLADO | Con diseño anti-rotura, las baldas pueden usarse para almacenar todo tipo de alimentos y bebidas. Las marcas circulares en la superficie de cristal representan un fenómeno normal que puede limpiarse a menudo con un paño húmedo. |  |
| (4) GAVETAS PARA FRUTA Y VERDURA | Usado para mantener frescas sus frutas y verduras almacenadas. Esta gaveta ha sido específicamente diseñada para controlar el nivel de humedad dentro del compartimento. Si es posible, mantenga separadas verduras y frutas. |  |
| (5) COOL SELECT PANTRY™ | Puede usarse como bandeja grande para fiestas, delicatessen, pizza, bebidas o artículos diversos. |  |

-  No coloque artículos de grandes dimensiones bajo el foco del refrigerador. Hay un sensor ubicado en las proximidades del foco y, si dicho sensor fuese bloqueado, su refrigerador podría enfriarse demasiado. Coloque verduras y frutas en la gaveta que tienen asignado para evitar que se congelen. Si los alimentos se congelasen en su refrigerador, ajústelo a una temperatura más alta.

ALMACENAJE DE ALIMENTOS EN LA GAVETA DE LA NEVERA

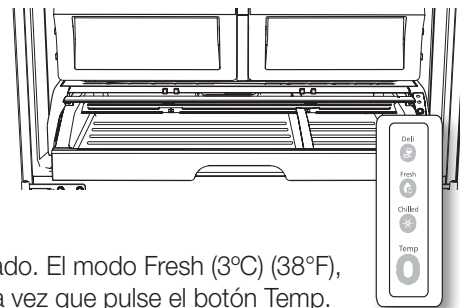
| | | |
|---|--|---|
| (6) GAVETA DE EXTRACCIÓN AUTOMÁTICA | La mejor elección para almacenar carnes o alimentos secos. Los alimentos almacenados deberán envolverse adecuadamente usando papel de aluminio u otros materiales o envases aptos como envoltorio. |  |
| (7) COMPARTIMENTO INCLINABLE | Pueden usarse para paquetes pequeños o alimentos congelados. También puede introducir una pizza de 16”. |  |
| (8) COMPARTIMENTO DE LA GAVETA DE LA NEVERA | Puede usarse para almacenar carne y alimentos secos. Los alimentos almacenados deberán envolverse adecuadamente usando papel de aluminio u otros materiales o envases aptos como envoltorio. |  |

-  Las botellas deberán almacenarse unas junto a otras para que no se golpeen y caigan al abrir la puerta del refrigerador.
-  Si tiene planeado ausentarse durante un período de tiempo prolongado, vacíe el refrigerador y apáguelo. Limpie el exceso de humedad del interior del electrodoméstico y deje las puertas abiertas. Esto ayuda a evitar la proliferación de olores y moho.

Funcionamiento del refrigerador SAMSUNG de tres puertas

USO DEL COOL SELECT PANTRY™

El Cool Select Pantry™ es una gaveta de ancho completo que dispone de control de temperatura ajustable. Este compartimento puede usarse como bandeja grande para fiestas, delicatessen, pizza, bebidas o artículos diversos. Dispone de un control de temperatura que puede ajustar la cantidad de aire frío que entra en el compartimento. El control se encuentra situado en la cara derecha del compartimento.



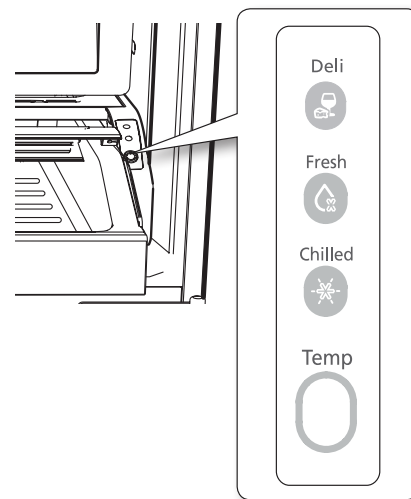
- Pulse repetidamente el botón Temp hasta que se ilumine el modo deseado. El modo Fresh (3°C) (38°F), modo Chilled (0°C) (32°F) y modo Deli (5°C) (41°F) serán escogidos cada vez que pulse el botón Temp. Inicialmente, está escogido el modo Fresh. Aunque la temperatura de ajuste sea diferente de la actual, ésta cambiará a la de ajuste de forma automática.

Temp.

Puede escoger su temperatura para Pantry entre los modos Fresh (38°F [3°C]), Chilled (34°F [0°C]) y Deli (41°F [5°C]).

Botón de selección

1. Al escoger "Deli", la temperatura del compartimento se mantiene entorno a 5°C (41°F). Esta función ayuda a mantener los alimentos frescos durante un período de tiempo más prolongado.
2. Al escoger "Fresh", la temperatura del compartimento se mantiene entorno a 3°C (38°F). Esta función ayuda a mantener los alimentos frescos durante un período de tiempo más prolongado.
3. Al escoger "Chilled", la temperatura del compartimento se mantiene entorno a 1°C (34°F). Esta función también ayuda a mantener carnes y pescados frescos durante un período de tiempo más prolongado.



Deli

- piña
- limón
- aguacate
- patata

Fresh (Fresco)

- pepinos
- manzanas
- naranjas
- uvas
- calabacines
- maíz

Chilled (Helado)

- bistec
- quesos curados
- embutidos
- bacon
- perritos calientes



Las frutas y verduras pueden dañarse al escoger el modo "chilled" (helado). No guarde lechuga u otros productos similares en este compartimento.




No almacene botellas de cristal en este compartimento. Si se congelasen, podrían romperse y provocar lesiones físicas.

DESMONTAJE DE LOS ACCESORIOS DEL REFRIGERADOR

1. Compartimento de puerta y para lácteos

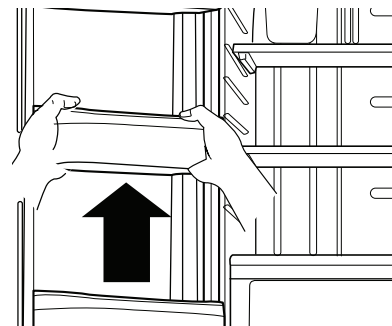
Para desmontarlo - simplemente levántelo y extráigalo directamente.

Para volver a montarlo - deslícelo sobre el emplazamiento deseado y pulse hasta encajarlo en posición.

 **PRECAUCIÓN** Si los compartimentos de la puerta no están montados de forma firme, pueden producirse lesiones. No monte un compartimento lleno de alimentos.

 No monte un compartimento lleno de alimentos.


Método de eliminación del polvo, quitar la guardia y lavar en agua.

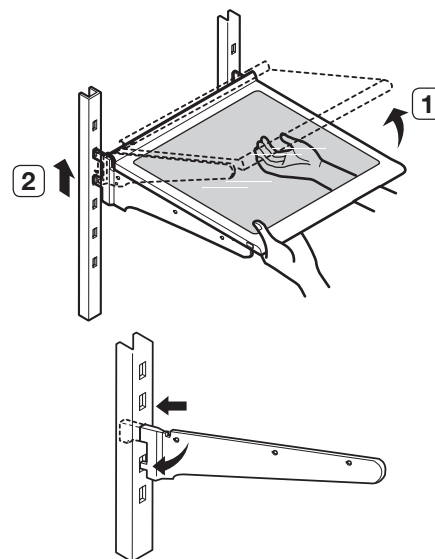


2. Baldas de cristal templado

To remove - Para desmontarlas - incline hacia arriba la parte frontal de la balda, en sentido (1) y levántela en sentido (2). Extraiga la balda.

To relocate - Para volver a montarlas - incline hacia arriba la parte frontal de la balda y guíe sus ganchos sobre las ranuras, a la altura deseada. A continuación, haga descender la parte frontal de la balda de forma que los ganchos puedan entrar en las ranuras correspondientes.


 **PRECAUCIÓN** Las baldas de cristal templado son pesadas. Ponga especial atención al desmontarlas.

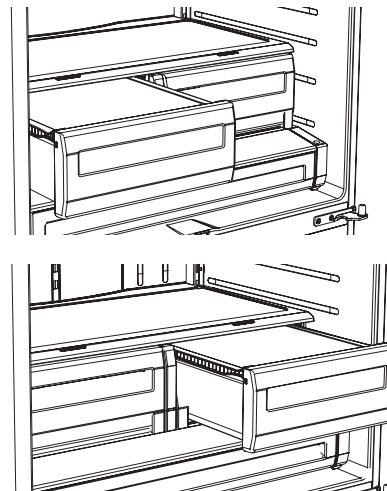


3. Gaveta para fruta y verdura

Para extraerla - retire la gaveta todo lo posible. Incline hacia arriba la parte frontal de la gaveta y extráigalo directamente hacia fuera.

Para volver a colocarla - introduzca la gaveta en los rieles del marco y empujela hacia atrás hasta su posición.

 **PRECAUCIÓN** La balda de cristal sobre la gaveta no está firmemente asegurada. Tenga cuidado al levantar. No abra la gaveta mientras el compartimento Cool Select Pantry™ está abierto. Hacerlo puede provocar que se arañe o se rompa su cubierta.



Funcionamiento del refrigerador SAMSUNG de tres puertas

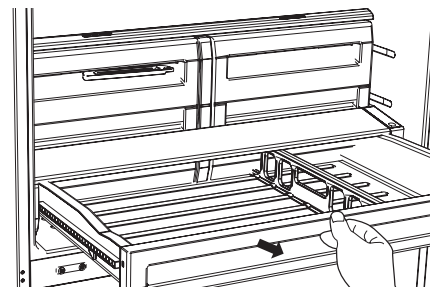
4. Cool Select Pantry™

Para extraer el compartimento

- extraiga toda la extensión de la gaveta. Incline hacia arriba la cara frontal del compartimento y extráigalo directamente hacia fuera.

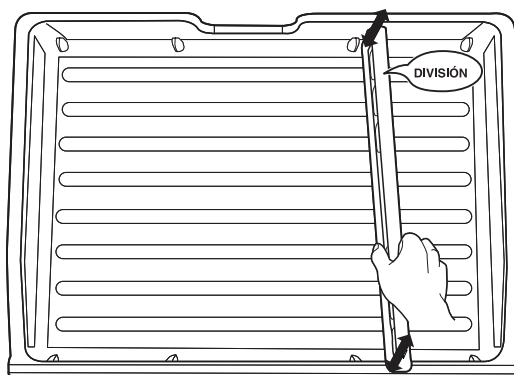
Para volver a colocar el compartimento

- empuje los rieles hacia la parte posterior del refrigerador. Coloque la gaveta dentro de los rieles y deslice el compartimento hasta su lugar.



Para retirar la división - tire por completo del compartimento en toda su extensión y levante la cara frontal de la división para desengancharla de la parte posterior de la pared del compartimento y, a continuación, levántelo.

Para volver a colocar la división - enganche la parte de atrás de la división sobre la parte posterior de la pared del compartimento y, a continuación, empuje hacia abajo la división.

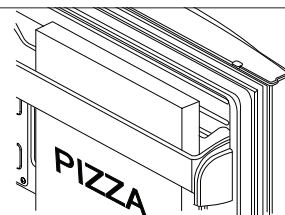


USO DE LAS PUERTAS

Las puertas del refrigerador garantizan el cierre y sellado completo del mismo. Cuando la puerta del refrigerador está sólo parcialmente abierta, se cerrará automáticamente. La puerta permanecerá como está si se deja abierta más de 7,6 cm (3 pulgadas).

USO DEL COMPARTIMENTO INCLINABLE

El compartimento inclinado puede usarse para almacenar pizzas de hasta 16" (406 mm) si la guarda como se indica en la ilustración.

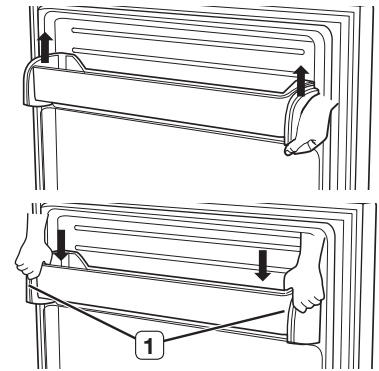


DESMONTAJE DE LOS ACCESORIOS DEL CONGELADOR

1. Compartimento inclinable

Para desmontarlo - tire de hacia arriba de los soportes (1) hasta que oiga el "clic" y retire el compartimento.

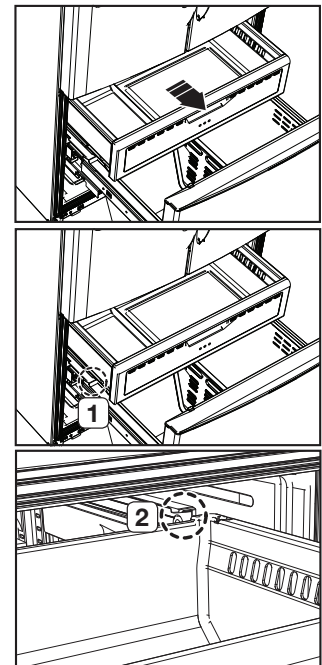
Para volver a montarlo - enganche los extremos del compartimento en ambos soportes (2) y empuje hacia abajo hasta que encaje en su lugar.



2. Gaveta de extracción automática

Para extraerla - retire la gaveta todo lo posible. Incline hacia la parte posterior de la gaveta y elévela directamente.

Para volver a colocarla - sitúe la gaveta dentro de los raíles inclinándola hacia arriba. Haga descender la gaveta hasta que se encuentre en posición horizontal y deslícela hacia dentro.



3. Cajón del congelador

Para retirar el cajón: extraiga el cajón del congelador completamente. Incline la parte posterior del cajón hacia arriba y levántelo para retirarlo. Para volver a colocarlo : insértelo en los rieles.



PRECAUCIÓN

No permita que bebés ni niños entren en el cajón del congelador. Pueden dañar el refrigerador y lesionarse gravemente. No se sienta en la puerta del congelador. No permita que los niños trepen al cajón del congelador.



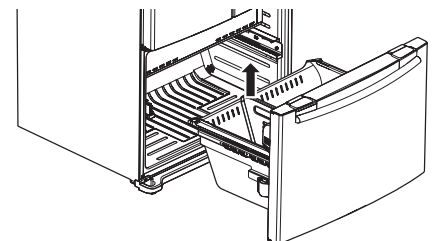
ADVERTENCIA

No retire el divisor.



PRECAUCIÓN

Si un niño queda atrapado dentro se puede lesionar o morir asfixiado.



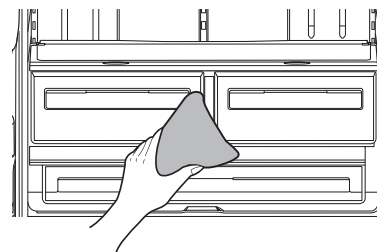
Funcionamiento del refrigerador SAMSUNG de tres puertas

LIMPIEZA DEL REFRIGERADOR

El cuidado del refrigerador de puerta francesa Samsung prolonga su vida útil y ayuda a que no se filtren olores ni gérmenes.

Limpieza del interior

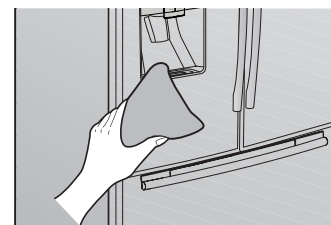
Limpie las paredes internas y los accesorios con un detergente suave, luego seque con un paño suave. Puede retirar los cajones y estantes para limpiar a fondo. Asegúrese de secar los cajones y estantes antes de colocarlos nuevamente en su lugar.



Limpieza del exterior

Limpie el panel de control y el visor digital con un paño húmedo, limpio y suave. No pulverice con agua directamente sobre la superficie del refrigerador.

Las puertas, manijas y las superficies del gabinete se deben limpiar con un detergente suave y luego secar con un paño suave. Para que el refrigerador luzca mejor que nunca, recomendamos pulir el exterior una o dos veces al año.



No pulverice agua directamente ni tampoco use un paño mojado o húmedo.



No utilice bencina, solvente o Clorox para limpiarlo. Pueden dañar la superficie del refrigerador y provocar un incendio.



Las letras impresas en el visor pueden borrarse si se aplica directamente el limpiador de acero inoxidable sobre la zona.



Limpieza del dispensador de hielo / agua

Empuje hacia abajo un extremo de la charola del dispensador y retírela. Limpie el dispensador de hielo / agua con un paño limpio y suave.

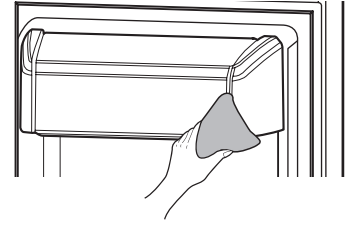



Cuando se utilice la selección de hielo triturado del dispensador es posible que en el recipiente de hielo se comiencen a acumular fragmentos de hielo residual. Para impedir que este hielo residual se derrita y sobresalga del recipiente, se deberá limpiar el hielo residual cuando se vea que empieza a acumularse en el recipiente del hielo.



Limpieza de los burletes de goma de la puerta

Si los burletes de goma de la puerta están sucios, es posible que las puertas no cierren correctamente, y el refrigerador no funcionará como corresponde. Mantenga los burletes libres de polvo o manchas limpiando las puertas con un detergente suave y un paño húmedo. Seque con un paño limpio y suave.

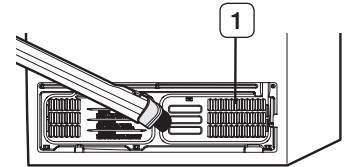


 No limpie el refrigerador con bencina, solvente o detergente para automóviles ya que puede provocar un incendio.

PRECAUCIÓN

Limpieza de la parte posterior del refrigerador

Para mantener los cables y las partes expuestas libres de polvo y suciedad aspire la parte posterior del refrigerador una o dos veces por año.



 No retire la tapa posterior (1). Podría sufrir una descarga eléctrica.

PRECAUCIÓN

REEMPLAZO DE LA LUZ INTERIOR



Por favor, contacte con el ingeniero de servicio para su reemplazo.

Funcionamiento del refrigerador SAMSUNG de tres puertas

REEMPLAZO DEL FILTRO DE AGUA

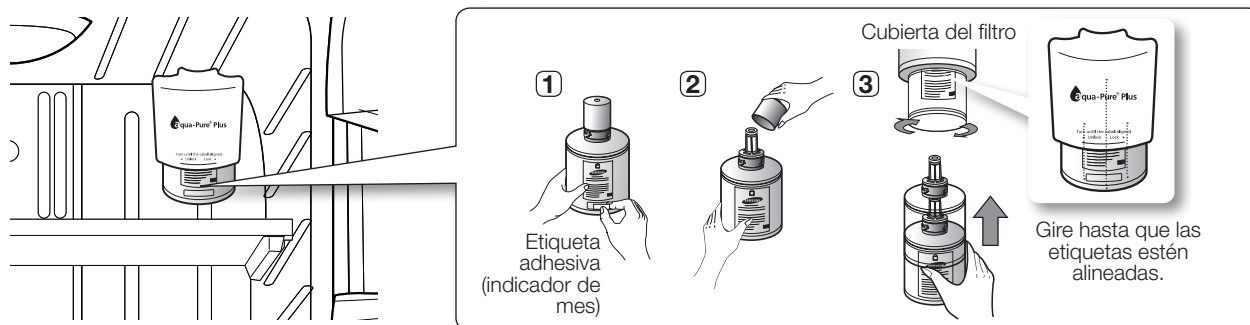


ADVERTENCIA

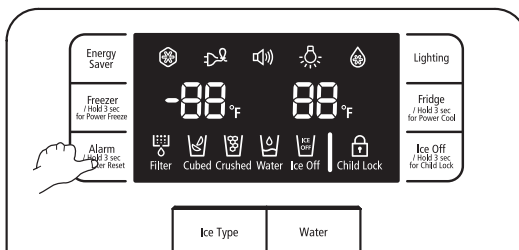
Para reducir el riesgo de daños materiales, NO utilice filtros de agua de marcas genéricas en su frigorífico SAMSUNG. UTILICE SÓLO FILTROS DE LA MARCA SAMSUNG. SAMSUNG no aceptará ninguna responsabilidad legal por los daños materiales incluidos, pero no limitado a ellos, aquellos causados por fugas de agua debidas al uso de un filtro de agua genérico. Los frigoríficos SAMSUNG están diseñados para funcionar SÓLO CON FILTROS DE AGUA SAMSUNG.

La luz del “indicador de filtro” le permite saber cuándo ha llegado el momento de cambiar el cartucho del filtro de agua. Para que tenga tiempo de conseguir un filtro nuevo, la luz roja aparecerá justo antes de que la capacidad del filtro actual se agote. Cambiar el filtro a tiempo le permitirá obtener agua más fresca y pura de su refrigerador.


1. Tome un filtro de agua nuevo y coloque una etiqueta adhesiva indicadora de mes sobre el filtro como se indica. La fecha del adhesivo debe indicar seis meses a partir de la fecha actual. Por ejemplo, si ha reemplazado el filtro de agua en marzo, coloque la etiqueta “SEP” (septiembre) sobre el filtro para recordarle que debe reemplazarlo en dicho mes. Normalmente, la vida útil del filtro es de unos 6 meses.
2. Retire la tapa de protección del nuevo filtro y extraiga el antiguo.
3. Coloque e introduzca el nuevo filtro en su alojamiento. Gire lentamente el filtro de agua en sentido horario para alinearla con la marca impresa situada en la cubierta, bloqueando el filtro en su posición. Asegúrese de alinear la marca de la etiqueta del filtro de agua con el centro de la impresión de la cubierta del filtro como se indica en la ilustración. Recuerde, no lo fuerce.



4. Una vez completado el proceso, mantenga pulsado el botón Ice / Water (Hielo / Agua) durante 3 segundos para reiniciar el programa del filtro.



5. Por último, haga correr 3 galones de agua a través del filtro antes de utilizarlo (durante aproximadamente 6 minutos). Asegúrese de que el agua vuelva a fluir limpia antes de beberla.

 Asegúrese de enjuagar a fondo el dispensador, de lo contrario el agua podría gotear. Esto significa que aún queda aire en la toma. NO use el dispensador de agua o hielo sin un cartucho de filtro de agua instalado, ya que la toma de agua podría bloquearse.

Pedido de filtros de agua de repuesto

Para reemplazar el filtro del agua, puede visitar su servicio técnico habitual o ponerse en contacto con el distribuidor de recambios de Samsung. Asegúrese de que el filtro de agua de repuesto dispone del logotipo SAMSUNG en la caja y en el propio filtro. Enlace: <http://www.samsungparts.com>

CUADRO DEL FILTRO DE AGUA

Hoja de datos de rendimiento para el modelo DA97-06317A de Samsung Uso del cartucho de repuesto DA29-00003G

Este sistema ha sido probado según los estándares 42 y 53 de la NSF/ANSI para la reducción de las sustancias que se enumeran a continuación. La concentración de las sustancias indicadas en la entrada de agua del sistema fue reducida a una concentración inferior o igual al límite permitido para la salida de agua del sistema, tal y como especifican en los estándares 42 y 53 de la NSF/ANSI.



El sistema probado y certificado por la NSF Internacional relativo al estándar 42 de la NSF/ANSI para la reducción del sabor y olor a cloro, partículas de clase I y relativo al estándar 53 de la NSF/ANSI para la reducción de quistes, turbiedad, plomo, amianto, benceno, Carbofuran, p-diclorobenceno y mercurio.

Para una capacidad de 300 galones (1 136 litros).

Tenga en cuenta que como la prueba se realizó bajo las condiciones estándar del laboratorio, el rendimiento real podría variar.

| Reducción de contaminantes | Concentración media de entrada | NSF Specified Influent Challenge Concentration Units apply to each row | Reducción media (%) | Concentración media del producto en agua | Máx. concentración permitida del producto en agua | Exigencias de reducción de la NSF | Prueba de la NSF |
|--|--------------------------------|--|---------------------|--|---|-----------------------------------|------------------|
| Sabor y olor a cloro | 2.1 mg/L | 2.0 mg/L ± 10% | 97.6 | 0.05 mg/L | No aplicable | > 50% | J-00029741 |
| Partículas de clase I, tamaño de las partículas: < 0,5 a < 1µm | 10,566,666 pt/mL | Al menos 10,000 partículas/mL | 98.4 | 171,833 pts/mL | No aplicable | > 85% | J-00029739 |
| Quistes* | 127,500 quistes/L | Mínimo 50,000 quistes/L | 99.99 | <1 quiste/L | No aplicable | > 99.95% | J-00031000 |
| Turbiedad | 10.5 | 11±1 UNT | 98.6 | 0.15 UNT | 0.5 UNT | > 0.5 UNT | J-00033223 |
| Plomo: pH 6,5 | 153 ug/L | 0.15±10% | 99.3 | <1ug/L | 0.010 mg/L | 10 ug/L | J-00039590 |
| Plomo: pH 8,5 | 155 ug/L | 0.15±10% | >99.4 | <1ug/L | 0.010 mg/L | 10 ug/L | J-00039591 |
| Mercurio: pH 6,5 | 5.97 ug/L | 0.006±10% | 96.6 | <0.2 ug/L | 0.002 mg/L | 2 ug/L | J-00039589 |
| Mercurio: pH 8,5 | 6.29 ug/L | 0.006±10% | 88.9 | 0.7 ug/L | 0.002 mg/L | 2 ug/L | J-00039586 |
| Amianto | 140 MFL | 107 a 108 fibras > um de longitud | > 99 | <0.17 MFL | No aplicable | 99% | J-00029743 |
| Benceno | 13.88 ug/L | 0.015±10% | 96.4 | <0.5 ug/L | 0.005 mg/L | < 5 ug/L | J-0029751 |
| Carbofuran | 79.6 ug/L | 0.190 mg/L | 98.7 | 1 ug/L | 0.001 mg/L | < 40 ug/L | J-00029750 |
| p-diclorobenceno | 237.5 ug/L | 0.225±10% | 99.8 | 0.525 ug/L | 0.075 mg/L | < 75 ug/L | J-00029749 |

* Basados en el uso de ooquistes de *Cryptosporidium parvum*

Funcionamiento del refrigerador SAMSUNG de tres puertas

CERTIFICACIÓN DEL FILTRO DE AGUA

Estado de California
Departamento de Salud Pública

Unidad de Tratamiento de Aguas
N.mero de certificado

04 - 1660

Fecha de emisi.n: julio 7, 2004

Fecha de revisi.n: junio 2, 2008

Designaci.n de Marca comercial/Modelo

Samsung DA61-00159A-B

Samsung DA97-06317A

Elementos de reemplazo

DA29-00003

DA29-00003G

Fabricante: Cuno Incorporated

Los dispositivos de tratamiento de agua enumerados en este certificado, re.nen los requisitos de prueba confo a la Secci.n 116830 del C.digo de Salud y Seguridad para los siguientes contaminantes relacionados con la salud:

Contaminantes microbiol.gicos y turbiedad

Quistes
Turbiedad

Contaminantes inorg.nicos/radiol.gico

Amianto
Plomo
Mercurio

Contaminantes org.nicos

Benceno
Carbofuran
p-diclorobenceno

Capacidad de servicio nominal: 300 galones

Flujo de servicio nominal: 0,5 g/m

Condiciones de la certificaci.n:

No usar en lugares donde el agua presente un riesgo microbiol.gico o en aguas cuya calidad sea desconocida, excepto cuando se empleen sistemas certificados para la reducci.n de quistes en aguas desinfectadas que puec contener quistes susceptibles de ser filtrados.

CONSEJOS ÚTILES PARA EL ALMACENAJE DE ALIMENTOS

| Alimentos | Refrigerador | Heladera | Consejos útiles de almacenaje |
|--|-----------------------|----------------|--|
| PRODUCTOS LÁCTEOS | | | |
| Mantequilla | 2-3 semanas | 6-9 meses | Envuélvala o tápela herméticamente. |
| Leche | 1-2 semanas | No recomendado | Chequee la fecha. La mayoría de la leche y productos similares se venden en cajas de cartón fechadas que indican el período de máxima frescura de un producto. Vuelva a cerrar herméticamente mediante tapa o envoltorio. No devuelva el producto no consumido al recipiente original. |
| Queso en crema, derivados del queso y queso para untar | 2-4 semanas | No recomendado | Chequee la fecha. Mantenga todos los quesos guardados herméticamente en un envoltorio con protección contra la humedad. |
| Queso curado (sin abrir) | 3-4 meses | 6 meses | |
| Queso curado (abierto) | 2 meses | No recomendado | |
| Queso fresco | 10-15 días | No recomendado | |
| Nata | 7-10 Days | 2 meses | Chequee la fecha. La mayoría de los yogures, cremas y productos similares se venden en cajas de cartón fechadas que indican el período de máxima frescura de un producto. Vuelva a cerrar o tapar herméticamente. No devuelva el producto no consumido al recipiente original. |
| Crema agria | 2 semanas | No recomendado | |
| Salsa Dip (abierta) | 1 semanas | No recomendado | |
| Yogur | 10-14 días | No recomendado | Chequee la fecha. Manténgalo tapado. |
| Yogur congelado | n/a | 2 meses | |
| HUEVOS | | | |
| Huevos (frescos) | 3-4 semanas | No recomendado | Chequee la fecha. Guarde los huevos en la parte más fría del refrigerador y dentro de su envase original. |
| Huevos (cocinados) | 1 semanas | No recomendado | Guarde en envase con tapa. |
| Sobras de platos con huevo | 3-4 días | No recomendado | Guarde en envase con tapa. |
| FRUTA FRESCA | | | |
| Manzanas | 1 meses | No recomendado | No lave la fruta antes de introducirla en el refrigerador. Guárdela en bolsas o recipientes resistentes a la humedad. Envuelva la fruta cortada. Algunas frutas se ponen negras al introducirlas en el refrigerador. |
| Plátanos | 2-4 días | No recomendado | |
| Melocotones, melones, peras, aguacates | 3-5 días | No recomendado | |
| Bayas y cerezas | 2-3 días | 12 meses | |
| Albaricoques | 3-5 días | No recomendado | |
| Uvas | 3-5 días | n/a | |
| Piña (sin cortar) | 2-3 días | No recomendado | |
| Piña (cortada) | 5-7 días | 6-12 meses | |
| Cítricos | 1-2 semanas | No recomendado | Guárdelos sin cubrir. |
| Zumo | 6 días | No recomendado | Chequee la fecha y vuelva a cerrar su recipiente original. No devuelva el producto no consumido al recipiente original. |
| Zumo congelado | Sólo para descongelar | 12 meses | Chequee la fecha. No vuelva a congelarlo. |

Funcionamiento del refrigerador SAMSUNG de tres puertas

CONSEJOS ÚTILES PARA EL ALMACENAJE DE ALIMENTOS

| Alimentos | Refrigerador | Heladera | Consejos útiles de almacenaje |
|--|--------------|------------|--|
| PESCADO Y MARISCO | | | |
| Pescado | | | |
| Pescado azul (caballa, trucha, salmón) | 1-2 días | 2-3 meses | Manténgalo en su envoltorio original e introdúzcalo en la parte más fría del refrigerador. Introdúzcalo en plástico para congelados con protección contra el vapor y la humedad. Congélelo a 0° F (-18° C). Descongélelo en el refrigerador o bajo chorro de agua. |
| Pescado blanco (bacalao, lenguado, etc.) | 1-2 días | 6 meses | |
| Congelado o empanado | n/a | 3 meses | |
| Marisco | | | Chequee la fecha. Congélelo en su envase original. |
| Gambas (crudas) | 1-2 días | 12 meses | Para congelarlos, introdúzcalos en un recipiente con protección contra el vapor y la humedad. |
| Cangrejo | 3-5 días | 10 meses | |
| Pescado o marisco congelado | 2-3 días | 3 meses | |
| CARNE | | | |
| Fresca, cruda | | | |
| Chuletas | 2-4 días | 6-12 meses | Chequee la fecha para usarla. Guárdela en la parte más fría del refrigerador, en su envase original. Introdúzcala en un recipiente extra que disponga de protección contra la humedad y el vapor para congelarla. Temperatura recomendada para el refrigerador: de 33°F a 36°F (0°C a 2°C), y para la heladera: de 0°C a 2°F (-18°C a -17°C) |
| Picada | 1 día | 3-4 meses | |
| Costillas | 2-4 días | 6-12 meses | |
| Bacón | 1-2 semanas | 1-2 meses | |
| Salchicha | 1-2 días | 1-2 meses | |
| Bistec | 2-4 días | 6-9 meses | |
| Aves | 1 día | 12 meses | |
| Charcutería | 3-5 días | 1 meses | |
| Cocinada | | | |
| Carne | 2-3 días | 2-3 meses | |
| Aves | 2-3 días | 4-5 meses | Chequee la fecha para usarla. Guárdela en la parte más fría del refrigerador, en su envase original. Introdúzcala en un recipiente que disponga de protección contra la humedad y el vapor para congelarla. |
| Jamón | 1-2 semanas | 1-2 meses | |

Fuentes:

American Meat Institute Foundation. 1994. Páginas amarillas: respuestas a las preguntas más frecuentes acerca de carnes y aves.
 American Meat Institute Food Marketing Institute. 1999. The food keeper. Food Marketing Institute, Washington, D.C. F reeland-Graves, J.H. y G.C. Peckham. 1996. Foundations of food preparation, 6ª ed. Prentice-Hall, Inc. Englewood Cliffs, NJ. Hillers, V.N. 1993. Storing foods at home. Washington State University Cooperative Extension, Pullman, WA. Publ. EB 1205. National Restaurant Association. 2001. Be cool-chill out! Refrigerate promptly. National Restaurant Association Education Foundation's International Food Safety Council, Washington, D.C. USDA. 1997. Basics for handling food safely. U.S. Department of Agriculture, Food Safety and Inspection Service, Washington, D.C.

Solución de problemas

| PROBLEMA | SOLUCIÓN |
|---|--|
| El refrigerador no funciona o no enfría lo suficiente. | <ul style="list-style-type: none"> • ¿Chequee que la toma de alimentación esté correctamente conectada. • ¿Está ajustado en la temperatura correcta el control de temperatura del panel de visualización? Intente ajustarlo a una temperatura inferior. • ¿Está instalado el refrigerador bajo la luz directa del sol o junto a una fuente de calor? • ¿Está la parte posterior del refrigerador demasiado pegada a la pared y, por tanto, impidiendo la circulación del aire? |
| Los alimentos del refrigerador están congelados. | <ul style="list-style-type: none"> • ¿Está ajustado en la temperatura correcta el control de temperatura del panel de visualización? Intente ajustarlo a una temperatura más alta. • ¿Es muy baja la temperatura de la estancia? • ¿Ha introducido alimentos con un alto contenido de agua en la parte más fría del refrigerador? Intente mover estos artículos dentro del cuerpo del refrigerador en lugar de guardarlos en la gaveta Cool Select Pantry™. |
| Se oyen ruidos o sonidos inusuales. | <ul style="list-style-type: none"> • Chequee que el refrigerador está nivelado y es estable. • ¿Está la parte posterior del refrigerador demasiado pegada a la pared y, por tanto, impidiendo la circulación del aire? • ¿Ha caído algo en la parte posterior o bajo el refrigerador? Se oyen sonidos repetitivos procedentes del interior del refrigerador. Es normal y ocurre debido a que varios accesorios se contraen y expanden en base a la temperatura del interior del refrigerador. |
| Las esquinas frontales y la sección con bisagras vertical del electrodoméstico están calientes, produciéndose condensación. | <ul style="list-style-type: none"> • Es normal que se produzca algo de calor ya que los sistemas anticondensación están instalados en la sección con bisagras vertical del refrigerador para evitar dicho fenómeno. • ¿Está entreabierta la puerta del refrigerador? Puede producirse condensación cuando la puerta permanece abierta durante un período de tiempo prolongado. |
| La máquina de hielo no está elaborando cubitos. | <ul style="list-style-type: none"> • ¿Ha esperado las 12 horas posteriores a la instalación de la toma de abastecimiento de agua antes de elaborar hielo? • ¿Está conectada la toma de agua y la válvula de corte abierta? • ¿Detuvo manualmente el funcionamiento de la máquina de hielo? • ¿Es demasiado alta la temperatura de la nevera? Intente ajustar la temperatura de la nevera a un nivel inferior. |
| Puede oír borboteo de agua procedente del refrigerador. | <ul style="list-style-type: none"> • Esto se considera normal. El borboteo procede de la circulación del líquido de refrigeración a través del refrigerador. |
| Se perciben malos olores procedentes del refrigerador. | <ul style="list-style-type: none"> • Chequee que no existen alimentos estropeados. • Los alimentos con un olor fuerte (por ejemplo, pescados) deben cubrirse herméticamente. • Limpie periódicamente su nevera chequeando y desechando alimentos en mal estado o sospechosos de estarlo. |
| Se forma escarcha en las paredes de la nevera. | <ul style="list-style-type: none"> • ¿Está bloqueado el conducto de ventilación? Elimine cualquier obstrucción para conseguir que el aire circule libremente. • Disponga suficiente espacio entre los alimentos almacenados para lograr una circulación de aire más eficiente. • ¿Está cerrada correctamente la puerta de la nevera? |
| No funciona el dispensador de agua. | <ul style="list-style-type: none"> • ¿Está conectada la toma de agua y la válvula de corte abierta? • ¿Está siendo aplastado o doblado el conducto de la toma de suministro de agua? Asegúrese de que el conducto esté libre y limpio de cualquier obstrucción. • ¿Está congelado el depósito de agua debido a que la temperatura del refrigerador es demasiado baja? Intente escoger un ajuste de temperatura mayor en el panel de visualización principal. |

Garantía

REFRIGERADOR SAMSUNG

GARANTÍA LIMITADA AL COMPRADOR ORIGINAL

Este producto de marca Samsung, suministrado y distribuido por Samsung Electronics America, Inc. (Samsung) y entregado nuevo, en su caja de cartón original al comprador original, está garantizado por Samsung ante defectos de fabricación en materiales y mano de obra durante un período de garantía limitado a:

un (1) año para piezas y mano de obra del refrigerador Cinco (5) años para piezas y mano de obra exclusivamente del sistema hermético de refrigeración.

(*Compresor, evaporador, condensador, deshumidificador, tuberías de conexión)

Esta garantía limitada comienza en la fecha original de compra y sólo es válido para productos adquiridos y usados en los Estados Unidos. Para recibir servicios bajo garantía, el comprador debe ponerse en contacto con Samsung para proceder a la resolución del problema y al procedimiento de reparación. El servicio de garantía sólo puede realizarse a través de un servicio técnico autorizado Samsung. Debe presentarse la factura original de venta bajo solicitud de Samsung o del servicio técnico autorizado Samsung, como prueba de compra.

Samsung reparará o reemplazará cualquier pieza considerada defectuosa a nuestra entera discreción y sin cargo, como queda estipulado en este documento, por piezas nuevas o reparadas durante el período de garantía limitada anteriormente especificado. Todas las piezas y productos reemplazados pasan a ser propiedad de Samsung, debiendo ser devueltos a Samsung. Las piezas y productos de repuesto quedarán aún bajo el período restante de garantía original, o noventa (90) días, el que sea más extenso.

La prestación de servicios in situ será proporcionada durante el período de garantía de mano de obra, sujeta a disponibilidad dentro de los estados contiguos de los EE.UU. La prestación de servicios in situ no está disponible en todas las zonas. Para recibir prestación de servicios in situ, el producto debe estar despejado y ser accesible al nivel del piso por parte del personal de servicio. Si durante la prestación de servicios in situ, no pudiera completarse la reparación, podría ser necesario el traslado, reparación y devolución posterior del producto. Si la prestación de servicios in situ no está disponible, Samsung podría escoger, a nuestra entera discreción, proporcionar transporte a nuestra elección hasta y desde un servicio técnico autorizado Samsung. De lo contrario, el transporte hasta y desde el servicio técnico autorizado Samsung corre por cuenta del comprador.

Esta garantía limitada cubre defectos de fabricación en materiales y mano de obra bajo condiciones de uso normal, no comercial, del producto y no se aplicará en los siguientes casos, incluidos, aunque no limitados a: daños ocasionados durante el transporte; entrega e instalación; utilizaciones y usos para los que el producto no fue diseñado; producto o números de serie alterados; daños externos o de acabado exterior; accidentes, mal uso, negligencia, incendio, agua, rayos u otros fenómenos naturales; uso de productos, equipamiento, sistemas, utilidades, servicios, piezas, suministros, accesorios, aplicaciones, instalaciones, reparaciones, tuberías externas y fugas, cableado externo, disyuntores, fusibles o conectores no suministrados y autorizados por Samsung o que dañen este producto u ocasionen problemas de servicio; voltaje incorrecto, fluctuaciones y sobretensión del suministro eléctrico; adaptaciones y fallas, por parte del cliente, en el cumplimiento de las instrucciones de funcionamiento, limpieza, mantenimiento y de entorno que se incluyen y establecen en el manual de instrucciones; pérdida de alimentos por descomposición; consumibles incluyendo filtros y iluminación.

NO EXISTEN OTRAS GARANTÍAS EXPLÍCITAS MÁS QUE LAS RECOGIDAS Y DESCRITAS ANTERIORMENTE, ASÍ COMO TAMPOCO EXISTEN OTRAS GARANTÍAS EXPLÍCITAS O IMPLÍCITAS, INCLUYENDO SIN LIMITACIÓN TODAS LAS GARANTÍAS IMPLÍCITAS DE COMERCIABILIDAD O IDONEIDAD PARA UN FIN CONCRETO QUE PUDIERAN RESULTAR PERTINENTES TRAS LOS PERÍODOS EXPLÍCITOS DE GARANTÍA INDICADOS CON ANTERIORIDAD. TAMPOCO SERÁN LEGALMENTE VINCULANTES PARA SAMSUNG

OTRAS GARANTÍAS EXPLÍCITAS U OFRECIDAS POR PERSONAS, FIRMAS O EMPRESAS EN RELACIÓN A ESTE PRODUCTO. SAMSUNG NO SERÁ LEGALMENTE RESPONSABLE DE LA PÉRDIDA DE INGRESOS O BENEFICIOS, LA NO MATERIALIZACIÓN DE AHORROS U OTROS BENEFICIOS, O DE CUALQUIER DAÑO RESULTANTE ESPECIAL, ACCIDENTAL O INDIRECTO OCASIONADO POR EL USO, ABUSO O INCAPACIDAD DE USO DE ESTE PRODUCTO, INDEPENDIENTEMENTE DE LA TEORÍA LEGAL SOBRE LA QUE SE BASA LA RECLAMACIÓN, INCLUSO SI SAMSUNG HA SIDO ADVERTIDO DE LA POSIBILIDAD DE TALES DAÑOS. IGUALMENTE, CUALQUIER TIPO RECUPERACIÓN EXIGIDA A SAMSUNG NO SUPERARÁ EL PRECIO DE COMPRA DEL PRODUCTO VENDIDO POR SAMSUNG Y QUE HA OCASIONADO EL SUPUESTO DAÑO. SIN LIMITAR LO INDICADO ANTERIORMENTE, EL COMPRADOR ASUME TODO EL RIESGO Y RESPONSABILIDAD DE CUALQUIER PÉRDIDA, DAÑO O LESIÓN PERSONAL Y A SU PROPIEDAD, ASÍ COMO A TERCEROS Y SUS PROPIEDADES, OCASIONADAS POR EL USO, ABUSO O INCAPACIDAD DE USO DE ESTE PRODUCTO VENDIDO POR SAMSUNG Y NO PROVOCADAS DIRECTAMENTE POR LA NEGLIGENCIA DE SAMSUNG. ESTA GARANTÍA LIMITADA NO SERÁ VÁLIDA PARA PERSONAS DISTINTAS AL COMPRADOR ORIGINAL DE ESTE PRODUCTO, ES INTRANSFERIBLE Y ESTIPULA SU SOLUCIÓN EXCLUSIVA.

Ciertos estados no permiten limitaciones en relación a la duración de una garantía implícita o la exclusión o limitación de daños accidentales o indirectos, de tal forma que las mencionadas limitaciones o excepciones pueden no ser pertinentes. Esta garantía le otorga unos derechos legales específicos, e incluso puede conferirle otros derechos, distintos dependiendo del estado en que se encuentre. Para obtener servicio de garantía, póngase en contacto con Samsung en:


CENTRO DE ASISTENCIA AL CLIENTE DE SAMSUNG

Samsung Electronics America, Inc. 85 Challenger Road Ridgefield Park, NJ 07660
1- 800-SAMSUNG (1-800-726-7864) y www.samsung.com



¿PREGUNTAS O COMENTARIOS?

| PAÍS | LLAME A | O VISÍTENOS ONLINE EN | ESCRIBA A |
|-------------|-------------------------------|--|---|
| EE.UU. | 800-SAMSUNG (800-726-7864) | www.samsung.com | Samsung Electronics America, Inc. 85 Challenger Road Ridgefield Park, NJ 07660 |
| CANADÁ | 800-SAMSUNG (800-726-7864) | www.samsung.com/ca | Samsung Electronics Canada Inc. Customer Service, 55 Standish Court Mississauga, Ontario L5R 4B2 Canada |

 Como esfuerzo por ayudar al medio ambiente, este manual de usuario fue impreso en papel reciclado.