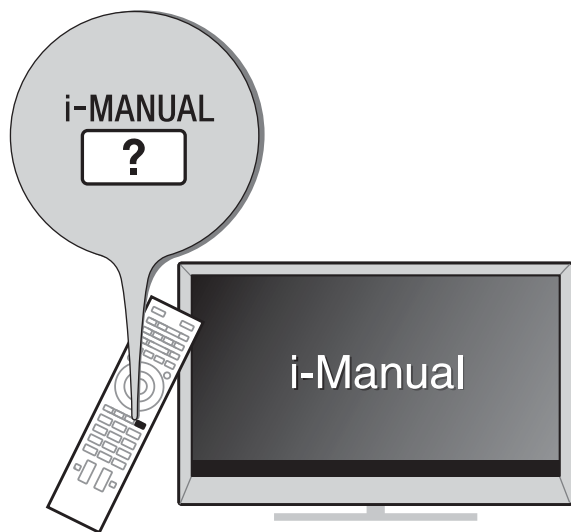


SONY®

Television Téléviseur

Operating Instructions (Setup Guide)	US
---	----

Mode d'emploi (Guide d'installation)	FR
---	----



Sony Customer Support

U.S.A.:

<http://www.sony.com/tvsupport>

Canada:

<http://www.sony.ca/support>

United States

1.800.222.SONY

Canada

1.877.899.SONY

Please Do Not Return
the Product to the Store

Service à la clientèle Sony

Canada :

<http://support.sony.ca/fr>

États-Unis :

<http://www.sony.com/tvsupport>

Canada

1.877.899.SONY

États-Unis

1.800.222.SONY

Ne retournez pas le produit au magasin

BRAVIA

Owner's Record

The model and serial numbers are located at the side and rear of the TV. Record these numbers in the spaces provided below. Refer to them whenever you call upon your Sony dealer regarding this TV.

Model Name

Serial No.

CAUTION

To prevent electric shock and blade exposure, do not use this AC plug with an extension cord, receptacle or other outlet unless the blades can be fully inserted.


- Operate the TV only on 110-240 V AC (U.S.A./Canada 120 V AC)

Licensing Information

The terms HDMI and HDMI High-Definition Multimedia Interface, and the HDMI Logo are trademarks or registered trademarks of HDMI Licensing LLC in the United States and other countries.

Ferguson Patent Properties, LLC:
U.S. Patent No. 5,717,422
U.S. Patent No. 6,816,141

Manufactured under license from Dolby Laboratories. Dolby and the double-D symbol are trademarks of Dolby Laboratories.

"BRAVIA" and BRAVIA, S-Force, Motionflow, BRAVIA Sync, and  are trademarks or registered marks of Sony Corporation.

DLNA[®], the DLNA Logo and DLNA CERTIFIED[®] are trademarks, service marks, or certification marks of the Digital Living Network Alliance.

TrackID is a trademark or registered trademark of Sony Mobile Communications AB.

Gracenote, Gracenote eyeQ, Gracenote VideoID, Gracenote Video Explore, Gracenote MusicID, the Gracenote logo and logotype, and the "Powered by Gracenote" logo are either registered trademarks or trademarks of Gracenote in the United States and/or other countries.

Opera[®] Devices SDK from Opera Software ASA. Copyright 1995-2014 Opera Software ASA. All rights reserved.

Wi-Fi, Wi-Fi Direct and Miracast are trademarks or registered trademarks of Wi-Fi Alliance.

"Sony Entertainment Network logo" and "Sony Entertainment Network" are trademarks of Sony Corporation.

MHL, Mobile High-Definition Link and the MHL Logo are trademarks or registered trademarks of MHL Licensing, LLC.

For DTS patents, see <http://patents.dts.com>. Manufactured under license from DTS Licensing Limited. DTS, the Symbol, & DTS and the Symbol together are registered trademarks, and DTS Digital Surround is a trademark of DTS, Inc. © DTS, Inc. All Rights Reserved.

Designed with UEI Technology[™] Under License from Universal Electronics Inc. Portions © UEI 2000 - 2013



Your BRAVIA TV is ENERGY STAR[®] qualified in the default mode. It meets strict energy efficiency guidelines

set by the U.S. Environmental Protection Agency and Department of Energy. ENERGY STAR is a joint program of these government agencies, designed to promote energy efficient products and practices.

Changes to certain features, settings, and functionalities (when available) of this TV (i.e. Picture/Sound, Light Sensor, Power Savings, Picture Scene/Mode, Auto Display, Shop Front Display Settings) can increase or change the power consumption.

The "Auto" and "General" picture scenes are default settings optimized for the input signal selected. Your BRAVIA TV is tested in these settings for ENERGY STAR qualification.

Depending upon such changed settings, the power consumption may exceed the limits required for the ENERGY STAR qualification in the default mode.

Location of the identification label

Labels for the Model No. and Power Supply rating are located on the rear of the TV.



- The illustrations of the remote control used in this manual are of the RM-YD103 unless otherwise stated.
- The illustrations used in this manual may differ depending on your TV model.
- Retain this manual for future reference.

The BRAVIA® Full HDTV Experience

Thank you for choosing Sony! Your new BRAVIA® TV opens the door to the "Full HDTV Experience." This document will help you get the most out of your TV.

Please take a moment to register your TV at:

U.S.A.: <http://productregistration.sony.com>

Canada: <http://www.sony.ca/registration>

Four Steps to a Full HD Experience

Set, Source, Sound, and Setup.

1 Set

Now that you have made the best selection in LED backlit LCD TV technology, be sure to remove all accessory contents from the packaging before setting up your TV.

2 Source

To experience the stunning detail of your BRAVIA TV, you need access to HD programming.

- Upgrade your signal or content source to high-definition (HD) by contacting your HD service provider.

- Receive over-the-air HD broadcasts with an HD-quality antenna connected directly to the back of your TV.

Visit <http://www.antennaweb.org> for more information on antenna selection and setup.

- Discover the wealth of entertainment now available on super-high resolution Blu-ray Disc™ player and other Sony HD equipment.

3 Sound

Complete the high-definition experience with a BRAVIA Sync™ surround sound system or A/V receiver from Sony.

4 Setup

Install your TV and connect your sources. See page 11 for sample connection diagrams. To help assure the highest quality for your HD experience, use Sony HDMI (High-Definition Multimedia Interface) cables.


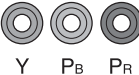



To learn more about HDTV, visit:

U.S.A.: <http://www.sony.com/HDTV>

Canada: <http://www.sony.ca/hdtv>

This TV displays all video input signals in a resolution of 1,920 dots × 1,080 lines.

The following chart shows the high-definition (HD) and standard-definition (SD) video formats supported by your BRAVIA TV inputs.

	INPUT	VIDEO	AUDIO	SUPPORTED FORMATS								
				1080i/24p/30p	1080p* ¹	1080i	720i/24p/30p	720p* ¹	480p	480i	PC* ²	
HD	HDMI			✓	✓	✓	✓	✓	✓	✓	✓	✓
	COMPONENT	 Y Pb Pr	 Audio L/R		✓	✓		✓	✓	✓		
SD	VIDEO	 Composite video connection	 Audio L/R								✓	

*¹ For details of supported formats, refer to the "Specifications" in this manual.

*² For supported PC formats refer to the i-Manual.

About this manual (Operating Instructions)

This manual explains how to setup your TV. For more information on how to use your BRAVIA TV, refer to the “Electronic manual”.

Operating Instructions

Explains how to setup your TV such as connections, initial setup, and basic operations.

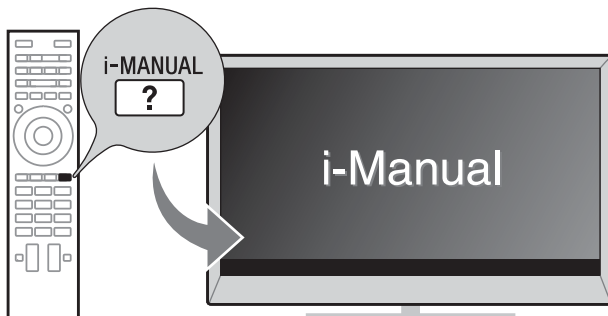


For more information, press the **i-MANUAL** button



Electronic manual (i-Manual)

Explains how to use all the features. See page 26 on how to use the i-Manual.



Images and illustrations used in this manual may differ from the actual screen.

Table of Contents

Getting Started

Checking the accessories.....	8
Inserting batteries into the remote control.....	8
Before setting up your TV.....	9
1: Attaching the Table-Top Stand	10
2: Connecting the TV.....	11
3: Securing the TV.....	17
4: Bundling the cables	18
5: Connecting the TV to the Internet.....	19
6: Running initial setup.....	20
Watching TV	21
Using the remote control.....	21

US

Using Your BRAVIA TV

Discovering the contents you like (Discover).....	23
Enjoying social networking while watching TV (Social Viewing).....	23
Selecting various contents and tools (Home Menu)	24

Looking for Instructions

Looking for instructions in the electronic manual (i-Manual) ▶... 26

Additional Information

Troubleshooting.....	28
How to care for your BRAVIA TV.....	30
Specifications	31
Installing the TV to the Wall	33
Installing the TV against a wall or enclosed area.....	34
Safety Information.....	35

Checking the accessories

Remote control (1)^{*1}

Size AAA batteries (2)

Table-Top Stand (1)^{*2}

Fixing screws for Table-Top Stand

(M5 × 16) (4)

Assembling screws for Table-Top Stand

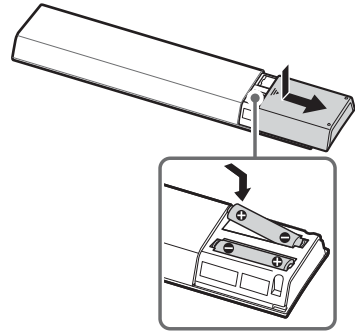
(M5 × 16) (4)

Operating Instructions (this manual) and other documents

*1 Refer to the model name printed on the remote control.

*2 Assembling the Table-Top Stand is required.
Refer to the supplied Table-Top Stand leaflet to assemble the Table-Top Stand.

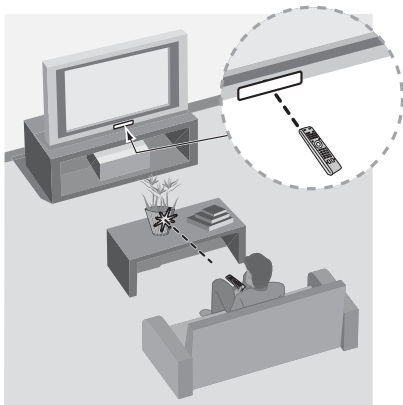
Inserting batteries into the remote control



- 1** Remove the protection sheet.
- 2** Push and slide the cover to open.

■ Guidelines for Remote Control

- Point your remote control directly at the IR sensor located on your TV.
- Make sure that no objects are blocking the path between the remote control and the IR sensor on your TV.



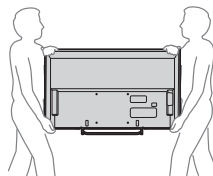
- Fluorescent lamps can interfere with your remote control; try turning off the fluorescent lamps.
- If you are having problems with the remote control, reinsert or replace your batteries and make sure that they are correctly inserted.

Before setting up your TV

Some TV models are packaged with a detached Table-Top Stand so you can mount your TV to a wall right away. See page 33 (Installing the TV to the Wall) if you want to mount the TV to a wall. If you are not mounting the TV to a wall, you will need to attach the Table-Top Stand. You will need a Phillips screwdriver (not supplied) and the supplied screws to complete the task. Look for the supplied Table-Top Stand instruction leaflet.

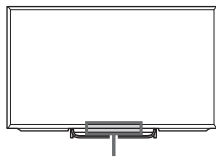
Be sure to consider the following while setting up your TV:

- Disconnect all cables when carrying the TV.
- Carry the TV with the adequate number of people; larger size TVs require two or more people.
- Correct hand placement while carrying the TV is very important for safety and to avoid damage.



- Ensure your TV has adequate ventilation, see page 34.
- For best picture quality, do not expose the screen to direct illumination or sunlight.
- Avoid installing the TV in a room with reflective wall and floor materials.
- Avoid moving the TV from a cold area to a warm area. Sudden room temperature changes may cause moisture condensation. This may cause the TV to show poor picture and/or poor color. Should this occur, allow moisture to evaporate completely before powering the TV on.

- Ensure that there are no objects in front of the TV.



IR Sensor

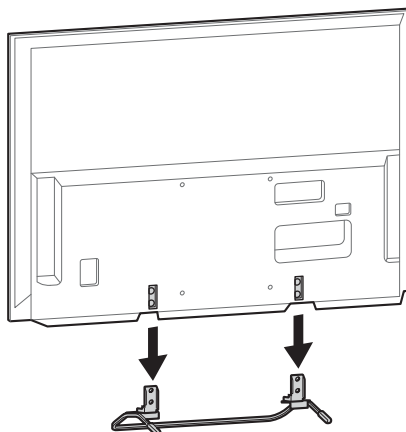
1: Attaching the Table-Top Stand


Refer to the supplied Table-Top Stand leaflet for proper attachment.

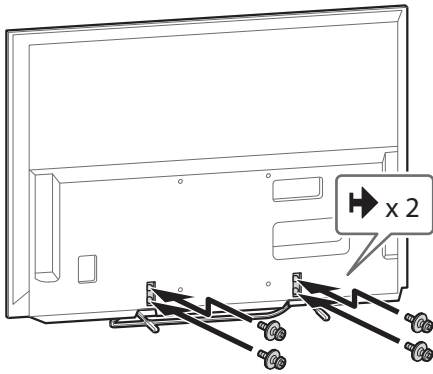


- Do not put stress on the LCD panel or the frame around the screen.
- Be careful to not pinch your hands or the AC power cord when you install the TV set to the Table-Top Stand.

- 1 Place the TV set on the Table-Top Stand.



- 2** Fix the TV to the Table-Top Stand using the supplied screws. The arrow marks  indicate the location of the screw holes used for securing the Table-Top Stand.



- If using an electric screwdriver, set the torque at approximately 1.5 N·m {15 kgf·cm}.

Detaching the Table-Top Stand from the TV

To detach the Table-Top Stand from the TV, remove the screws fixed in step 2.



- Do not remove the Table-Top Stand for any reason other than to install corresponding accessories on the TV.
- Be sure the TV is vertical before turning on. To avoid uneven picture uniformity do not power on the TV with the LCD panel facing down.
- When attaching the Table-Top Stand again, be sure to fasten the screws (previously removed) to the original holes on the rear of the TV.

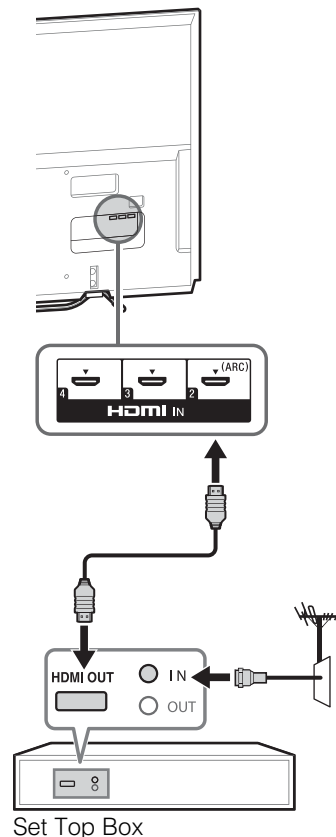
2: Connecting the TV



- Use an antenna cable connector no greater than 14 mm thick.
- When connecting the cable to the Cable/Antenna, input finger tighten only, over tightening the connection can damage the TV.
- Before moving the TV, disconnect all of the cables connected to the TV to prevent damaging the TV when it is moved.
- Use an HDMI cable connector within 12 mm (thickness) × 21 mm (width).
- For more information on connections, refer to the i-Manual.

US

■ Shown with a Set Top Box with HDMI connection

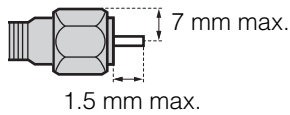


Set Top Box

(Continued)

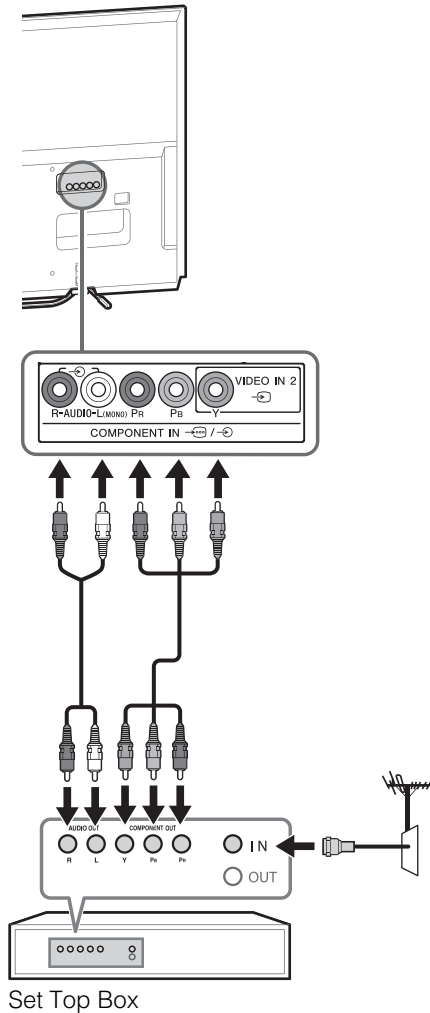
Recommendation for an F type plug

Projection of the inner wire from the connection part must be less than 1.5 mm.

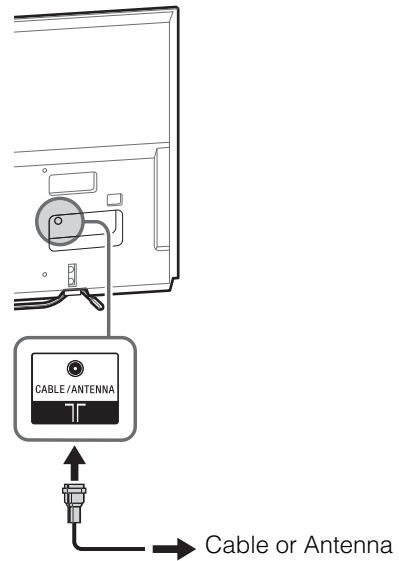


(Reference drawing for an F type plug)

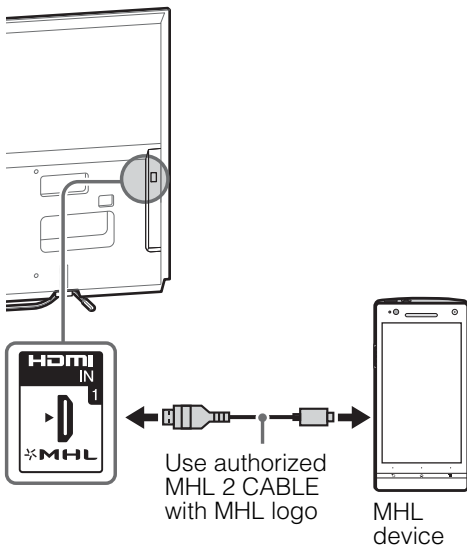
■ Shown with a Set Top Box with COMPONENT connection



■ Cable System or VHF/UHF Antenna System



■ Shown with MHL device with MHL connection



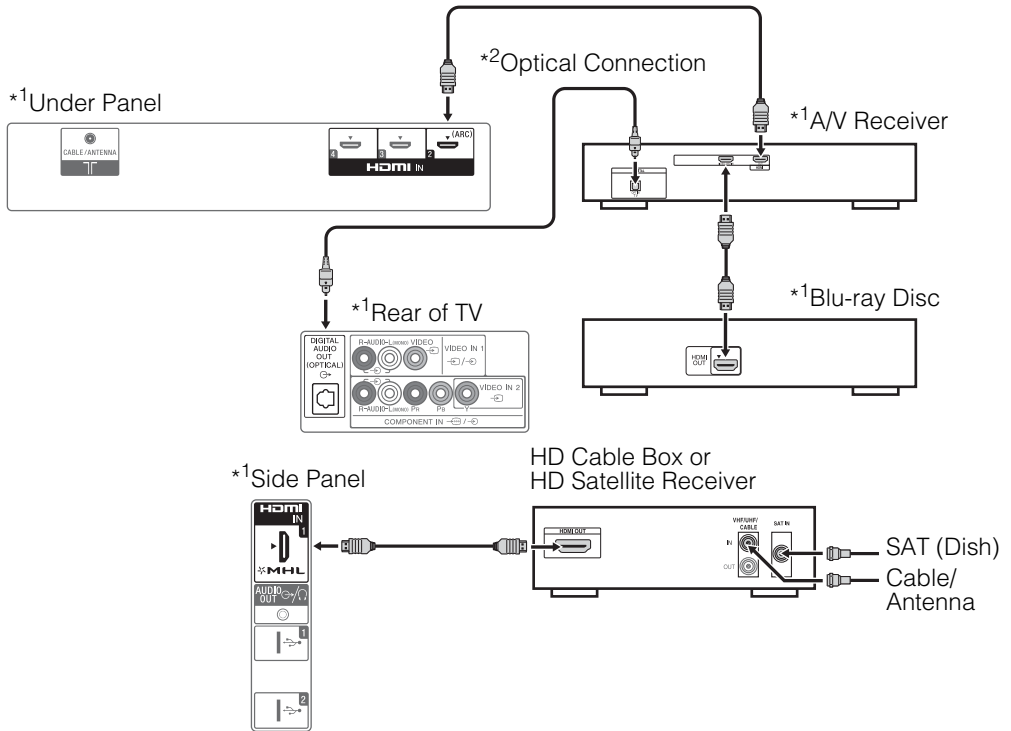
US

The TV simultaneously charges the MHL-compatible connected device while playing photo/music/video files. You can use the TV remote control to control the connected MHL-compatible device.



- If **Auto Input Change (MHL)** is set to **On**, the TV automatically switches to HDMI IN 1/MHL from other input when MHL-compatible device is connected to HDMI IN 1/MHL jack. The availability of **Auto Input Change (MHL)** depends on whether the MHL-compatible device can support this feature.
- If **Charge MHL during Power Off** is set to **On**, you can continue charging the MHL-compatible device even when the TV is in standby mode.

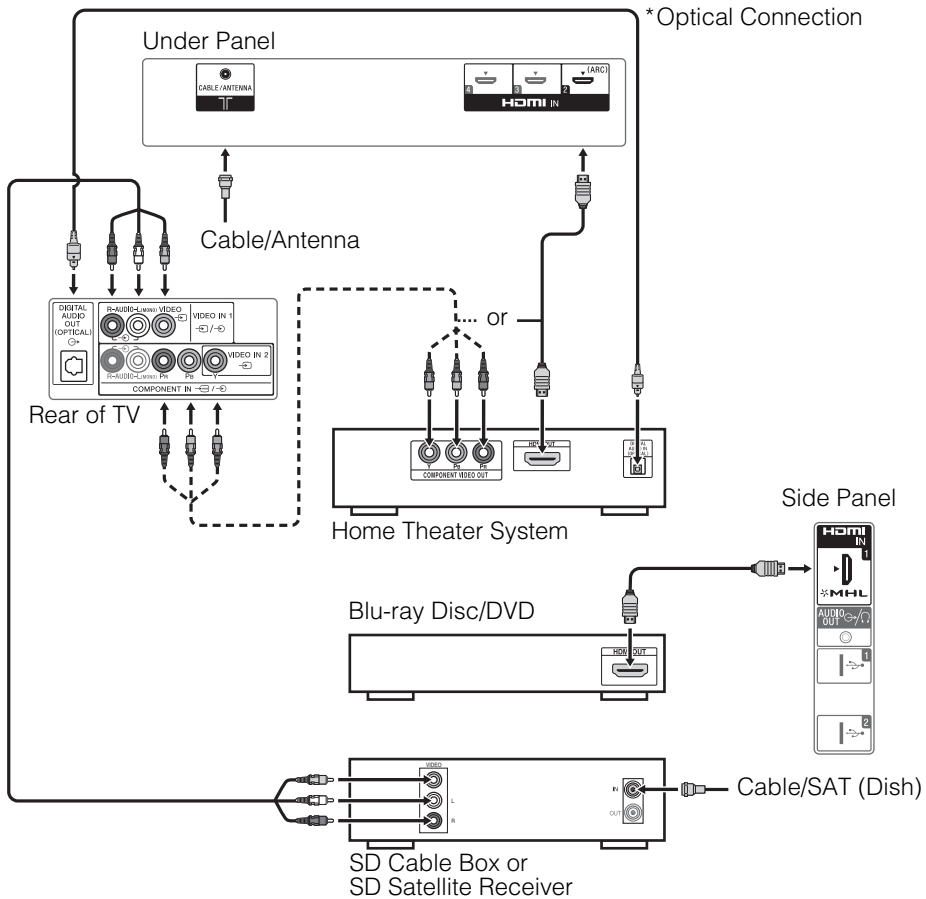
■ Shown with HD BRAVIA® Sync™ Basic Connection



*1 Signifies a BRAVIA Sync capable device.

*2 The optical connection is only needed for A/V receivers that do not support ARC (Audio Return Channel). Set the speaker settings to audio out, press **HOME**, then select **Settings** → **Sound** → **Speakers** → **Audio System**. Set the HDMI CEC settings on the TV and AV receiver to allow for system audio control for ARC connections.

■ Shown with HD Basic Connection with Home Theater System

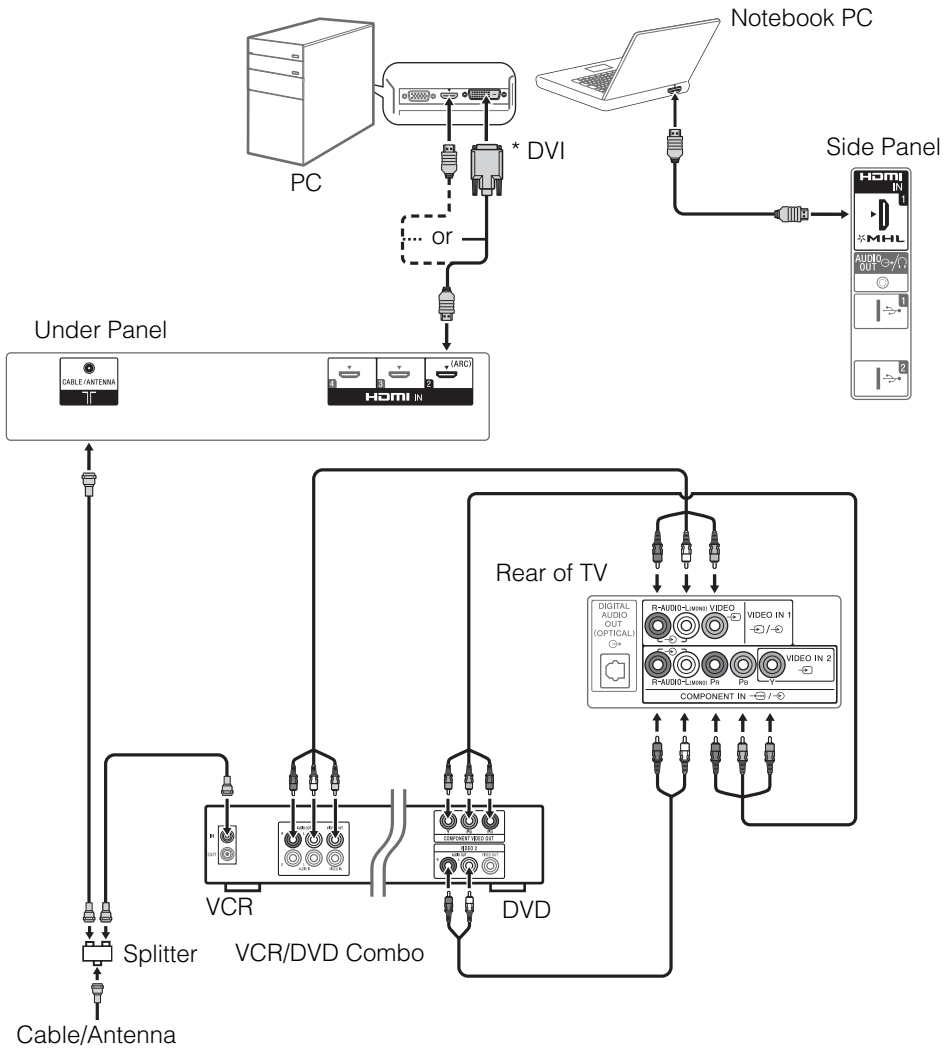


US

* The optical connection is only needed for home theater system that do not support ARC (Audio Return Channel) when connecting with HDMI.

Set the speaker settings to audio out, press **HOME**, then select **Settings** → **Sound** → **Speakers** → **Audio System**.
 Set the HDMI CEC settings on the TV and AV receiver to allow for system audio control for ARC connections.

■ Shown with PC Connection with SD VCR/DVD



* DVI does not support audio signals. Connect the audio output of the PC to the PC speakers or an A/V receiver to listen to sound from the PC.

3: Securing the TV



Sony strongly recommends taking measures to prevent the TV from toppling over. Unsecured TVs may topple and result in property damage, serious bodily injury or even death.

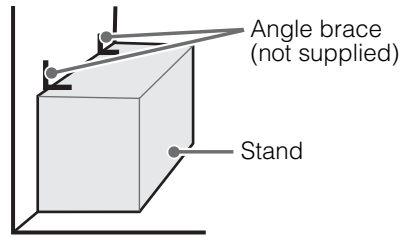
Preventing the TV from Toppling

- Secure the TV to a wall and/or stand.
- Do not allow children to play or climb on furniture and TV sets.
- Avoid placing or hanging items on the TV.
- Never install the TV on:
 - slippery, unstable and/or uneven surfaces.
 - furniture that can easily be used as steps, such as a chest of drawers.
- Install the TV where it cannot be pulled, pushed, or knocked over.
- Route all AC power cords and connecting cables so that they are not accessible to curious children.

Recommended Measures to Secure the TV

Consider the following measures when securing your TV to a Stand (not supplied).

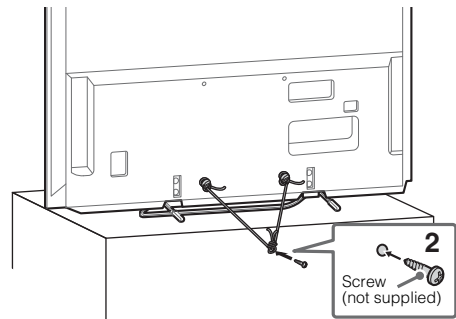
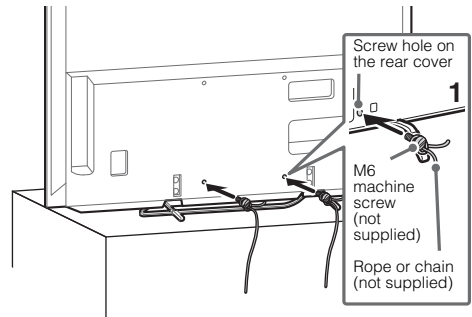
- 1** Secure the Stand for the TV.
Make sure the Stand can adequately support the weight of the TV. Use two angle braces (not supplied) to secure the stand. For each angle brace use the appropriate hardware to:
 - Attach one side of the angle brace to the wall stud.
 - Attach the other side to the Stand.



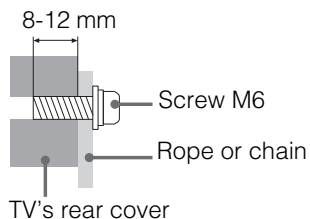
2 Secure the TV to the Stand.

Use the optional hardware listed as follows (not supplied):

- M6 machine screw (screwed into the TV's rear cover)
- A screw or similar (attach it to the Stand)
- Rope or chain (strong enough to support the weight of the TV). Make sure that there is no excess slack in the rope or chain.

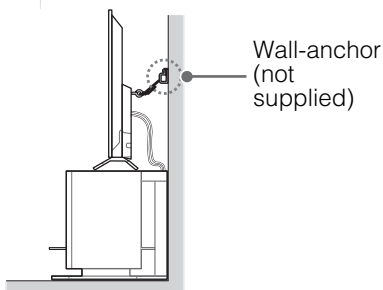
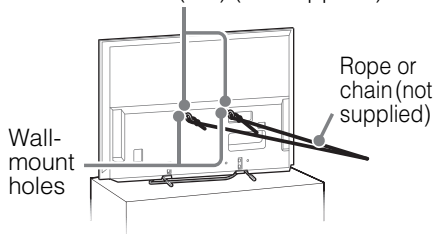


The length of the M6 machine screw differs depending on the rope or chain diameter. Please see below illustration.



- 3** Anchor the TV to the wall by using bolts, wall anchor and chain (or rope).

Anchor bolts (M6) (not supplied)



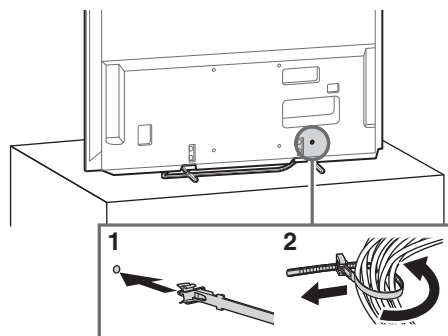
- Your TV is shipped with screws attached to the rear of the TV depending on the TV model. (They are fastened in the screw holes for wall mounting.) Be sure to remove the upper two screws prior to anchoring the TV to a wall.
- Securing the TV to the stand without securing the TV and the stand to the wall provides minimum protection against the TV toppling over. For further protection, be sure to follow the three measures recommended.

4: Bundling the cables

Before bundling the cables, remove the cable holder from the AC cover.



- Do not bundle the AC power cord together with other cables.



5: Connecting the TV to the Internet

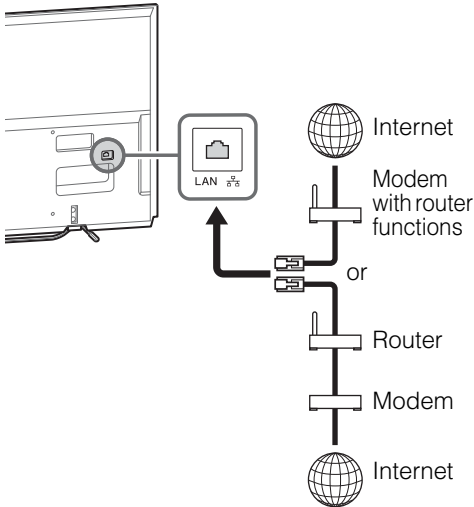
When you connect this TV to the Internet, you can enjoy multiple functions. For details on the functions, refer to the i-Manual.



- You will need to contract with an Internet service provider to connect to the Internet.

Preparing a wired network

TV



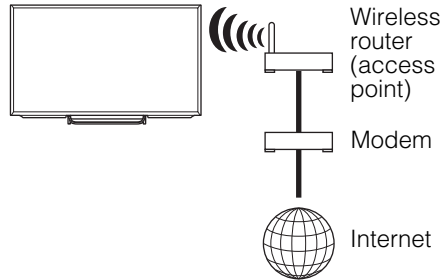
- For LAN connections, use a Category 7 cable (not supplied).

Preparing a Wi-Fi connection

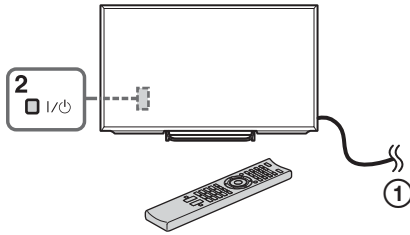
The built-in Wi-Fi device allows you to access the Internet and your home network. With this feature, you can connect to a wireless network and enjoy the benefits of networking in a cable-free environment. Before setting up the Wi-Fi function of the TV, be sure to set up a wireless router (access point).

US

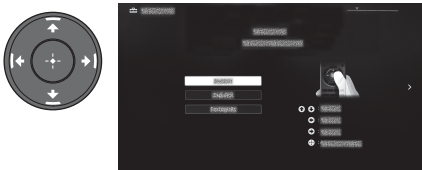
TV



6: Running initial setup



- 1 Complete your cable connections before proceeding with the **Initial Setup**. Connect the TV to your AC power outlet.
- 2 Press **I/⏻** on the TV. The LED indicator will light up in green.
When you switch on the TV for the first time, the Language menu appears on the screen.
- 3 Press **↑/↓/←/→** to select an item, then press **⊕**.
Follow the instructions on the screen.



- 4 Set up the Internet connection by selecting **Wi-Fi** or **Wired LAN**. If you will not be using the network features of the TV, or to set up later, select **Skip**.



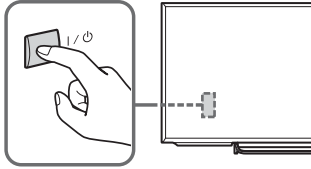
- The TV will automatically detect and setup the network when a wired connection is made before the initial setup.
- For customers who need to setup their network connection with a Static IP address and/or a Proxy server, select **Skip**. After completing the initial setup, press **HOME**, then select **Settings** → **Network** → **Network Setup** → **Set up network connection** → **Expert**.
- If you use WEP security, select **Wi-Fi** → **Connect by scan list**. Then, select the network name (SSID) you want to connect to. If you cannot find the required network name, select **[Manual Entry]** and press **⊕** to enter network name.
- To perform **Network Setup** later, press **HOME**, then select **Settings** → **Network** → **Network Setup**.
- The TV will automatically search for a software update after the network is setup and will try to automatically detect your region.

- 5 Scan for available channels using the TV's built-in tuner by selecting **Built-in Tuner** → **Auto**. If you will be using a cable box or satellite receiver and do not wish to use the TV's built-in tuner select **Set Top Box**. If you do not wish to use the TV's built-in tuner or a set top box, select **Skip**.

Watching TV

1 Turn on the TV.

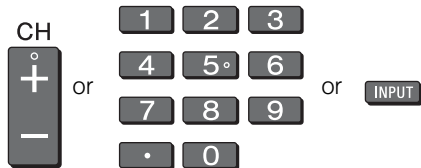
Press **I/⏻** on the TV or **POWER** on the remote control to turn on the TV.



or



2 Select a TV channel or select an input.

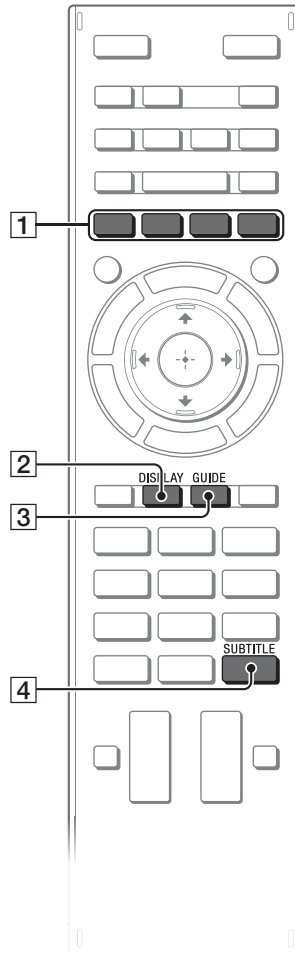


■ To select digital channels

Use **0-9** and **.**. For example, to enter channel 2.1:
Press **2**, **.** and **1**, then press **⊕**.

Using the remote control

US



■ Frequently used buttons

1 Color buttons

When the color buttons are available, an operation guide appears on the screen.

2 DISPLAY

Displays channel number, program details, and the clock.

3 GUIDE

Displays the digital program guide.
(For an Antenna signal only and availability depends on your TV model/region/country)

4 SUBTITLE/CC

You can turn closed captions/subtitles on/off.

Discovering the contents you like (Discover)

You can use Discover to search for content (such as TV programs, Internet contents, etc.). Contents that appear in Discover vary depending on your TV model/region/country.

1 Press DISCOVER.



2 Press ↑/↓ to select the desired category.



3 Press ←/→ to select the desired item, then press ⊕.

The selected content is displayed.

Enjoying social networking while watching TV (Social Viewing)

Social Viewing brings the benefits of social networking to your TV viewing experience. Press **SOCIAL VIEW** to enjoy chatting with friends while watching TV. The available features in Social Viewing may vary depending on your TV model/region/country. You will need a broadband Internet connection. For details, see page 19 (5: Connecting the TV to the Internet). Then, go to **Network Setup** and follow the on-screen instructions to connect your TV to the Internet.

US

SOCIAL VIEW



- You may need to update the TV's software to use this function. Press **HOME**, select **? Help** → **Customer Support** → **Software Update**.

Selecting various contents and tools (Home Menu)

Select the desired category at the top of the Home Menu. You can play back content by selecting its thumbnail in a subcategory. You can also use functions (such as setting change) by selecting its icon.

1 Press HOME.

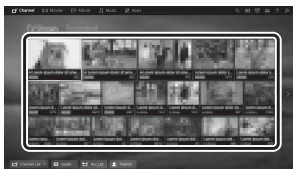


2 Press \leftarrow/\rightarrow to select the desired category, then press \oplus .



3 Press \downarrow , then press \leftarrow/\rightarrow to select the desired subcategory.

When the cursor is moved beyond the left/right edge of the subcategory, the next subcategory is displayed (if there is more than one subcategory).



4 Select the thumbnail of the desired content.

The content is played back.

Selecting various contents

The categories are available depending on your TV model/region/country.



Channel

You can view the list of digital broadcast contents and thumbnails of live and future broadcasts. You can also change the broadcast system by using **Channel List** at the bottom of the Home Menu.



Movies

You can watch movies from online movie service providers, connected USB devices, or your home network.



Album

You can view photos from online service providers, connected USB devices, or your home network.



Music

You can play back music content from online music service providers, connected USB devices, or your home network.









Apps

You can launch applications. Thumbnails of featured applications (**Featured**) and your favorite applications (**My Apps**) are displayed. To view all applications, select **All Apps** at the bottom of the Home Menu.

Selecting a Tool

The tools are available depending on your TV model/region/country.

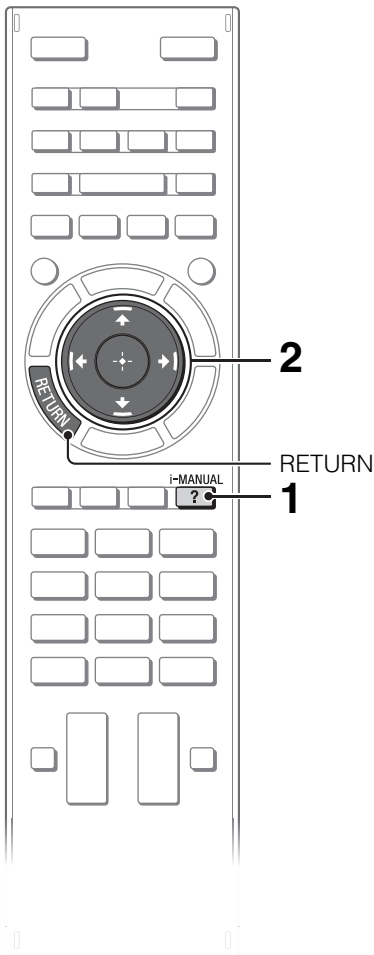
 Search	You can input a keyword to search for content. You can also select keywords searched in the past.
 Inputs	You can select an input device connected to the TV.
 Media Server	You can select a media server (e.g. USB flash drive, home network) to browse its content using the Media Browser.
 Settings	You can change TV settings (e.g. Picture & Display, Sound, Channel).
 Help	You can view information about self diagnostics and customer support. You can also access the i-Manual.
 Network Status	You can view the network connection status.

US

Looking for instructions in the electronic manual (i-Manual)

Operating instructions are built into your BRAVIA TV and can be displayed on the screen.

To learn more about your TV features, access your i-Manual with the touch of a button.

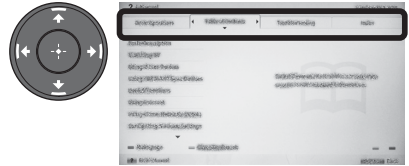


1 Press i-MANUAL.



2 Select an item.

1 Press \leftarrow/\rightarrow to select an item.



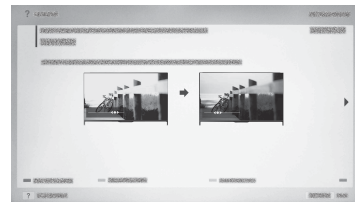
2 Press $\uparrow/\downarrow/\leftarrow/\rightarrow$ to select an item, then press \oplus .



Arrow mark*

* If an arrow mark appears, press \downarrow repeatedly to display more items.

The page of the selected item appears.



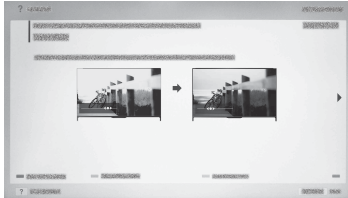
- You can step through pages using \leftarrow/\rightarrow . Press **RETURN** to return to the previous page.

Saving frequently viewed pages (Bookmark)

You can save frequently viewed pages for easy access anytime.

■ To save a page

When displaying the page to bookmark, press the red button on the remote control.



■ To access the bookmarked page

When displaying the i-Manual, press the blue button on the remote control to display the bookmark list. Press \uparrow/\downarrow to select the desired item, then press \oplus .



- To return to the previous screen, press **RETURN**.

■ To remove a bookmark

When the bookmarked page is displayed, press the red button on the remote control.

Troubleshooting

When the LED indicator is flashing red, count how many times it flashes (interval time is three seconds).

If the LED indicator flashes red, reset the TV by disconnecting the AC power cord from the TV for two minutes, then turn on the TV.

If the problem persists, contact Sony Customer Support (information provided on the front cover) with the number of times the LED indicator flashes red (interval time is three seconds). Press **I/⏻** on the TV to turn it off, disconnect the AC power cord, and contact Sony Customer Support.

When the LED indicator is not flashing, check the items as follows.

You can also refer to “Troubleshooting” in the i-Manual or perform self-diagnosis by selecting **? Help** → **Customer Support** → **Self Diagnostics**. If the problem persists, contact Sony Customer Support (information provided on the front cover).

Condition	Explanation/Solution
There is no picture (screen is dark) and no sound.	<ul style="list-style-type: none">• Check the cable/antenna connection.• Connect the TV to AC power, and press I/⏻ on the TV or POWER on the remote control.
Some programs cannot be tuned.	<ul style="list-style-type: none">• Check the antenna.
The remote control does not function.	<ul style="list-style-type: none">• Replace the batteries.• Your TV may be in SYNC mode. Press SYNC MENU, select TV Control and then select Home (Menu) or Options to control the TV.
The Parental Lock password has been forgotten.	<ul style="list-style-type: none">• Enter 4357 for the PIN code. (PIN code 4357 is always accepted.)
The TV and its surroundings become warm.	<ul style="list-style-type: none">• When the TV is used for an extended period of time, the TV and its surroundings may become warm to the touch. This is not a malfunction of the TV.
How to reset the TV to factory settings	<ul style="list-style-type: none">• Turn on the TV. While holding down ▲ on the remote control, press I/⏻ on the TV. (The TV will turn itself off, then back on again.) Release ▲. WARNING: The reset will clear all of your customized settings including the Parental Lock setting.• For security purposes, be sure to remove all personal and account information before discarding, selling or passing your TV to someone else by: unlinking/unregistering, signing out of and deactivating all network services as well as factory reset the TV.

Condition	Explanation/Solution
-----------	----------------------

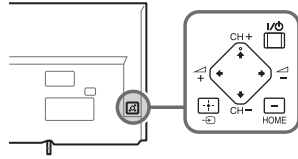
Frozen audio or video, a blank screen, or the TV does not respond to TV or remote control buttons.

- Perform a simple reset of the TV by unplugging the AC power cord for two minutes, then plug it in again.

The **I/⏻**, **CH+/-**, **⏪ +/-**, **⏩ +/-**, **⏮**, **⏭** and **HOME** buttons cannot be located on the TV.

- See below illustration for location of the buttons on the TV.

Rear of TV



US

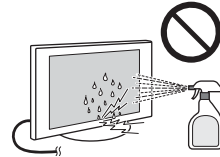
How to care for your BRAVIA TV

Safety is very important. Please read and follow the safety documentation (Safety Booklet) separately provided.

Unplug the TV and other connected equipment from the wall outlet before you begin cleaning your TV.







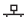
- Wipe the LCD screen gently with a soft cloth.
- Stubborn stains may be removed with a cloth slightly moistened with a solution of mild soap and warm water.
- If using a chemically pretreated cloth, please follow the instruction provided on the package.
- Never spray water or detergent directly on the TV set. It may drip to the bottom of the screen or exterior parts and enter the TV set, and may cause damage to the TV set.
- Never use strong solvents such as a thinner, alcohol or benzene for cleaning.
- Do not plug in the TV into the wall outlet until the moisture from cleaning has evaporated.

The TV should also be placed on a stable surface to prevent it from toppling over (see page 17). If you have young children or pets at home, check regularly to ensure the TV is securely fastened.



Specifications

US

System	
Television system	NTSC: American TV standard ATSC (8VSB terrestrial): ATSC compliant 8VSB QAM on cable: ANSI/SCTE 07 2000 (Does not include CableCARD functionality)
Channel coverage	Analog terrestrial: 2 - 69 / Digital terrestrial: 2 - 69 Analog Cable: 1 - 135 / Digital Cable: 1 - 135
Panel system	LCD (Liquid Crystal Display) Panel, LED Backlight
Speaker output	10 W + 10 W
Wireless technology	Protocol IEEE802.11a/b/g/n
Input/Output jacks	
CABLE/ANTENNA	75-ohm external terminal for RF inputs
 VIDEO IN 1	Video / Audio input (phono jacks)
 COMPONENT IN	YPbPr (Component Video): 1080p (60 Hz), 1080i (60 Hz), 720p (60 Hz), 480p, 480i Audio input (phono jacks)
 VIDEO IN 2	Video input (common phono pin with Y input)
HDMI IN 1/2/3/4	Video: 1080p (30, 60 Hz), 1080/24p, 1080i (60 Hz), 720p (30, 60 Hz), 720/24p, 480p, 480i, PC Formats Audio: 5.1 channel linear PCM: 32, 44.1 and 48 kHz, 16, 20 and 24 bits, Dolby Digital ARC (Audio Return Channel) (HDMI IN 2 only)
MHL (common with HDMI IN 1)	Video: 1080p (30 Hz), 1080/24p, 1080i (60 Hz), 720p (30, 60 Hz), 720/24p, 480p, 480i Audio: 5.1 channel linear PCM: 32, 44.1 and 48 kHz, 16, 20 and 24 bits, Dolby Digital
 AUDIO OUT/ 	Audio output (stereo mini jack) Headphone jack (supports Subwoofer out)
 DIGITAL AUDIO OUT (OPTICAL)	Digital optical jack (Two channel linear PCM, Dolby Digital)
 LAN	10BASE-T/100BASE-TX connector (Connection speed may differ depending on the network environment. 10BASE-T/100BASE-TX communication rate and communication quality are not guaranteed for this TV.)
USB/DLNA	Refer to the i-Manual for supported formats.
Others	
Supplied accessories	See page 8 (Checking the accessories).
Optional accessories	Camera and Microphone Unit: CMU-BR200/CMU-BR100 Wireless Subwoofer: SWF-BR100 MHL Cable: DLC-MB10/DLC-MB20/DLC-MC20
Operating temperature	32 °F – 104 °F (0 °C – 40 °C)

Power and others		
Power requirement		110 V - 240 V AC, 50/60 Hz (U.S.A./Canada 120 V AC, 60 Hz)
Power consumption	in use	165 W
	in standby	Less than 0.2 W with 120 V AC and less than 0.3 W with 240 V AC
Screen size* (inches measured diagonally)		60 inches
Display resolution		1,920 dots (horizontal) × 1,080 lines (vertical)
Dimensions*	with stand (mm) (inches)	1,370 × 846 × 230 54 × 33 ³ / ₈ × 9 ¹ / ₈
	without stand (mm) (inches)	1,370 × 811 × 84 54 × 32 × 3 ³ / ₈
	wall-mount hole pattern (mm)	300 × 300
	wall-mount screw size (mm)	M6 (length: see diagram on page 33.)
Mass*	with stand (kg)/(lb.)	20.5 / 45.2
	without stand (kg)/(lb.)	19.9 / 43.9

* Screen size, dimensions and mass are approximate values.

- Optional accessories availability depends on countries/region/TV model/stock.
- Design and specifications are subject to change without notice.
- This TV set incorporates MHL 2.

Installing the TV to the Wall

This TV's instruction manual only shows the steps on preparing the installation of the TV before installing to the wall.

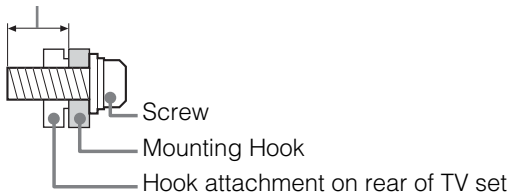
Your TV can be mounted on a wall using a Wall-Mount Bracket (not supplied) out of the box as packaged. If the Table-Top Stand is attached to the TV, the TV may require detaching the Table-Top Stand; see page 11 (Detaching the Table-Top Stand from the TV). Prepare the TV for the Wall-Mount Bracket before making cable connections.

US

For product protection and safety reasons, Sony strongly recommends that installation of your TV on the wall be performed by qualified professionals. Do not attempt to install it yourself.

- Follow the instruction guide provided with the Wall-Mount Bracket for your model. Sufficient expertise is required in installing this TV, especially to determine the strength of the wall for withstanding the TV's weight.
- The length of the screw for Wall-Mount Bracket differs depending on the Wall-Mount Bracket thickness. Please see below illustration.

8 mm - 12 mm



- Be sure to store the unused screws and Table-Top Stand in a safe place until you are ready to attach the Table-Top Stand. Keep the screws away from small children.

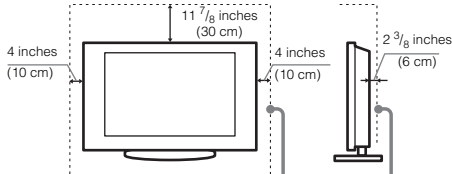


- Read the supplied Safety Booklet for additional safety information.

Installing the TV against a wall or enclosed area

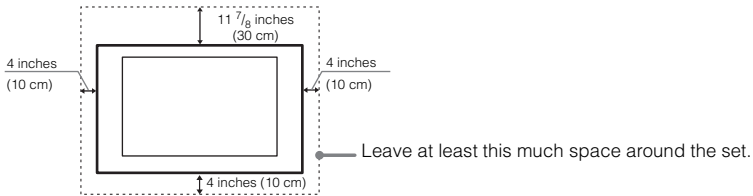
Make sure that your TV has adequate ventilation. Allow enough space around the TV as shown in the illustration.

Installed with stand



Leave at least this much space around the set.

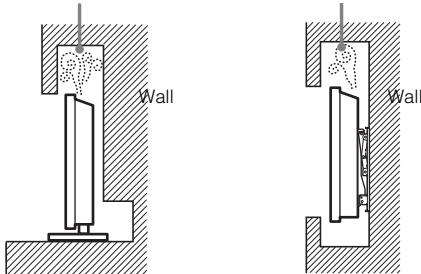
Installed on the wall



Leave at least this much space around the set.

Never install the TV set as follows:

Air circulation is blocked. Air circulation is blocked.



- Inadequate ventilation can lead to overheating of the TV and may cause damage to your TV or cause a fire.

Safety Information

Declaration of Conformity

Trade Name: SONY
Model: KDL-60W630B/KDL-60W610B
Responsible Party: Sony Electronics Inc.
Address: 16530 Via Esprillo,
San Diego, CA 92127 U.S.A.
Telephone Number: 858-942-2230

This device complies with part 15 of the FCC rules. Operation is subject to the following two conditions:

(1) This device may not cause harmful interference, and (2) this device must accept any interference received, including interference that may cause undesired operation.

FCC Related Information

This equipment has been tested and found to comply with the limits for a Class B digital device, pursuant to Part 15 of the FCC Rules. These limits are designed to provide reasonable protection against harmful interference in a residential installation. This equipment generates, uses and can radiate radio frequency energy and, if not installed and used in accordance with the instructions, may cause harmful interference to radio communications. However, there is no guarantee that interference will not occur in a particular installation. If this equipment does cause harmful interference to radio or television reception, which can be determined by turning the equipment off and on, the user is encouraged to try to correct the interference by one or more of the following measures:

- Reorient or relocate the receiving antenna.
- Increase the separation between the equipment and receiver.
- Connect the equipment into an outlet on a circuit different from that to which the receiver is connected.
- Consult the dealer or an experienced radio/TV technician for help.

Pursuant to FCC regulations, you are cautioned that any changes or modifications not expressly approved in this manual could void your authority to operate this equipment.

Safety and Regulatory

This device complies with Industry Canada licence-exempt RSS standard(s). Operation is subject to the following two conditions: (1) this device may not cause interference, and (2) this device must accept any interference, including interference that may cause undesired operation of the device.

To prevent radio interference to the licensed service, this device is intended to be operated indoors and away from windows to provide maximum shielding. Equipment (or its transmit antenna) that is installed outdoors is subject to licensing.

Only use Wireless LAN indoors when using it with IEEE 802.11a (5 GHz).

This equipment complies with FCC/IC radiation exposure limits set forth for uncontrolled equipment and meets the FCC radio frequency (RF) Exposure Guidelines in Supplement C to OET65 and RSS-102 of the IC radio frequency (RF) Exposure rules. This equipment has very low levels of RF energy that it deemed to comply without maximum permissive exposure evaluation (MPE). But it is desirable that it should be installed and operated with at least 20 cm and more between the radiator and person's body (excluding extremities: hands, wrists, feet and ankles).

This device and its antenna(s) must not be co-located or operating with any other antenna or transmitter except Grant condition.

Note

This television includes a QAM demodulator which should allow you to receive unscrambled digital cable television programming via subscription service to a cable service provider. Availability of digital cable television programming in your area depends on the type of programming and signal provided by your cable service provider.

US

Fiche d'identification

Les numéros de modèle et de série sont indiqués à l'arrière et sur le côté du téléviseur.

Inscrivez ces numéros dans les espaces ci-dessous. Faites-y référence chaque fois que vous appelez votre détaillant Sony au sujet de ce téléviseur.

N° de modèle

N° de série

ATTENTION

Pour prévenir les chocs électriques et l'exposition des broches, n'utilisez pas cette fiche CA avec une rallonge, une prise de courant ou une autre sortie de courant, sauf si les broches peuvent être insérées jusqu'au fond.


- Faites uniquement fonctionner le téléviseur sur un courant de 110-240 V CA. (États-Unis/Canada 120 V CA)

Information de licence

Les termes HDMI et HDMI High-Definition Multimedia Interface ainsi que le logo HDMI sont des marques de commerce ou des marques déposées de HDMI Licensing, LLC aux États-Unis et dans d'autres pays ou régions.

Ferguson Patent Properties, LLC :
U.S. Patent No. 5,717,422
U.S. Patent No. 6,816,141

Fabriqué sous licence de Dolby Laboratories. Dolby et le symbole double-D sont des marques déposées de Dolby Laboratories.

« BRAVIA » et BRAVIA, S-Force, Motionflow, BRAVIA Sync et  sont des marques de commerce ou des marques déposées de Sony Corporation.

DLNA^{MD}, le logo DLNA et DLNA CERTIFIED^{MD} sont des marques de commerce, des marques de service ou des marques de certification de la Digital Living Network Alliance.

TrackID est une marque déposée ou une marque de commerce de Sony Mobile Communications AB.

Les noms Gracenote, Gracenote eyeQ, Gracenote VideoID, Gracenote Video Explore, Gracenote MusicID, le logo Gracenote et la mention « Powered by Gracenote » sont des marques ou des marques déposées de Gracenote aux États-Unis et/ou dans d'autres pays.

Opera[®] Devices SDK de Opera Software ASA. Copyright 1995-2014 Opera Software ASA. Tous droits réservés.

Wi-Fi, Wi-Fi Direct et Miracast sont des marques commerciales ou des marques déposées de la Wi-Fi Alliance.

Le logo et le terme « Sony Entertainment Network » sont des marques de commerce de Sony Corporation.

MHL, Mobile High-Definition Link et le logo de MHL sont des marques ou des marques déposées de MHL Licensing, LLC.

Pour les brevets DTS, voir <http://patents.dts.com>. Fabriqué sous licence de DTS Licensing Limited. DTS, le symbole, et DTS et son symbole ensemble sont des marques déposées, et DTS Digital Surround est une marque déposée de DTS, Inc. © DTS, Inc. Tous droits réservés.

Conçu avec l'UEI Technology[™] sous licence d'Universal Electronics Inc. Portions © UEI 2000 - 2013



Votre téléviseur BRAVIA est conforme à la norme ENERGY STAR^{MD} en mode par défaut. Il répond à des

directives strictes en matière d'efficacité énergétique établies par l'Agence pour la protection de l'environnement et le département de l'Énergie des États-Unis. ENERGY STAR est un programme conjoint de ces agences gouvernementales qui vise à promouvoir l'efficacité énergétique, tant dans les produits que dans les habitudes des consommateurs.

Des modifications aux réglages de certaines fonctions et paramètres (si disponibles) de ce téléviseur (notamment Image et Son, Capteur de lumière, Écono. d'énergie, Scène d'image/Mode, Affichate auto, Paramètres d'exposition en vitrine) peuvent modifier ou accroître sa consommation d'énergie.

Les scènes d'image « Autom. » et « Général » sont des réglages par défaut optimisés pour les signaux d'entrée sélectionnés. Votre téléviseur BRAVIA a été soumis à l'essai avec ces réglages pour la conformité à la norme ENERGY STAR.

Selon les modifications apportées à ces réglages, la consommation énergétique pourrait dépasser les limites établies pour la conformité à la norme ENERGY STAR en mode par défaut.

Emplacement de l'étiquette d'identification

Les étiquettes indiquant le numéro de modèle et les caractéristiques nominales de l'alimentation du téléviseur se trouvent à l'arrière du téléviseur.



- Les illustrations de la télécommande apparaissant dans ce manuel représentent le modèle RM-YD103, sauf indication contraire.
- Les illustrations utilisées dans le présent mode d'emploi peuvent différer de l'apparence de votre appareil, selon le modèle du téléviseur.
- Conservez le présent manuel pour toute référence ultérieure.

Fonctionnalités de l'expérience haute définition complète de BRAVIA^{MD}

Nous vous remercions d'avoir choisi Sony! Votre nouveau téléviseur BRAVIA^{MD} est la clé d'une « expérience haute définition complète ». Le présent document vous aidera à préparer votre nouveau téléviseur pour l'utilisation.

Prenez quelques instants pour compléter l'enregistrement de votre téléviseur à l'adresse suivante :

Canada :

<http://www.sony.ca/fr/registration>

États-Unis :

<http://productregistration.sony.com>

Les quatre éléments d'une expérience haute définition complète

Le téléviseur, la source, le son et la configuration.

1 Téléviseur

Maintenant que vous avez choisi la meilleure technologie qui soit en matière de téléviseurs ACL rétro-éclairés par LED, veillez à retirer tous les accessoires de l'emballage avant d'installer votre téléviseur.

2 Source

Pour faire l'expérience du niveau de détail incroyable qu'offre votre téléviseur

BRAVIA, vous devez vous abonner au service de télévision HD.

- Obtenez un signal ou une source en haute définition (HD) en communiquant avec votre fournisseur de services HD.

Ce téléviseur affiche tous les types de format d'image en résolution de 1 920 points × 1 080 lignes.

- Recevez des émissions en HD diffusées sur les ondes par l'intermédiaire d'une antenne de qualité HD branchée directement à l'arrière du téléviseur. Visitez le site <http://www.antennaweb.org> pour plus de renseignements sur le choix et l'installation d'une antenne.
- Découvrez tout un monde de divertissement maintenant offert en super-haute définition sur les lecteurs Blu-ray Disc^{MC} et autres appareils HD de Sony.

3 Son

Complétez l'expérience haute définition avec une chaîne de cinéma maison ambiophonique **BRAVIA Sync^{MC}** ou un récepteur audio-vidéo de Sony.

4 Configuration


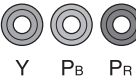



Installez votre téléviseur et raccordez vos sources de signal. Reportez-vous à la page 11 pour des exemples de schémas de connexion. Pour vous aider à obtenir la meilleure qualité d'image possible lors de votre expérience HD, utilisez des câbles HDMI (High- Definition Multimedia Interface) de Sony.

Pour en savoir plus sur la télévision en HD, visitez :

Canada : <http://www.sony.ca/fr/hdtv>

États-Unis : <http://www.sony.com/HDTV>

Le tableau ci-dessous indique les formats de haute définition (HD) et de définition standard (SD) pris en charge par les entrées de votre téléviseur **BRAVIA**.

	CONNECTEUR	VIDEO	AUDIO	Formats pris en charge							
				1080i/24p/30p	1080p* ¹	1080i	720i/24p/30p	720p* ¹	480p	480i	PC* ²
HD	HDMI			✓	✓	✓	✓	✓	✓	✓	✓
	Composant	 Y PB PR	 Prise audio L/R (G/D)		✓	✓		✓	✓	✓	
SD	Vidéo	 Connexion vidéo composite	 Prise audio L/R (G/D)							✓	

FR

*¹ Pour plus de détails sur les formats pris en charge, reportez-vous à la section "Spécifications" de ce manuel.

*² Pour connaître les formats de signal pris en charge en provenance d'un ordinateur, consultez le i-Manual.

À propos de ce manuel (Mode d'emploi)

Ce manuel explique comment configurer votre téléviseur. Pour plus de détails sur l'utilisation de votre téléviseur BRAVIA, reportez-vous au « Manuel électronique ».

Mode d'emploi

Explique comment installer votre téléviseur tels que les branchements, la configuration initiale et le fonctionnement de base.

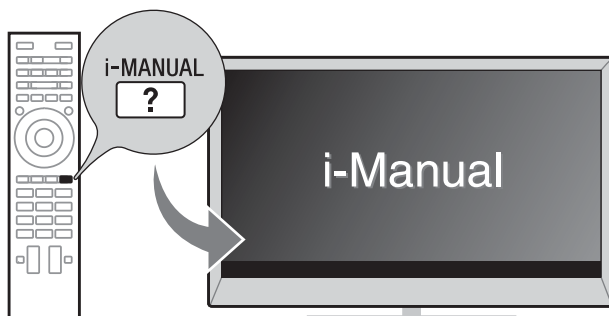


Pour plus de détails, appuyez sur la touche i-MANUAL



Manuel électronique (i-Manual)

Explique comment utiliser toutes les fonctions. Allez à la page 26 pour savoir comment utiliser le i-Manual.



Les images et les illustrations utilisées dans le présent mode d'emploi peuvent différer du présent écran.

Table des matières

Pour commencer

Vérifier les accessoires	8
Insérer les piles dans la télécommande	8
Avant d'installer votre téléviseur.....	9
1 : Fixer le support de table	10
2 : Raccorder le téléviseur	11
3 : Fixer le téléviseur.....	17
4 : Regrouper les câbles	19
5 : Brancher le téléviseur à Internet	19
6 : Exécuter la configuration initiale	20
Regarder la télévision.....	21
Utiliser la télécommande.....	22

FR

Utiliser votre téléviseur BRAVIA

Retrouver les contenus que vous aimez (Discover).....	23
Profitez des réseaux sociaux en regardant la télévision (Social Viewing).....	23
Sélectionner différents contenus et outils (menu d'accueil)	24

Rechercher des instructions

**Rechercher des instructions dans le
manuel électronique (i-Manual) ► ... 26**

Information complémentaire

Dépannage	28
Entretien de votre téléviseur BRAVIA	30
Spécifications	31
Fixer le téléviseur au mur	33
Installation du téléviseur contre un mur ou dans un endroit fermé	34
Consignes de sécurité	35

Vérifier les accessoires

Télécommande (1)^{*1}

Piles AAA (2)

Support de table (1)^{*2}

Vis de fixation pour le support de table

(M5 x 16) (4)

Vis d'assemblage pour le support de table

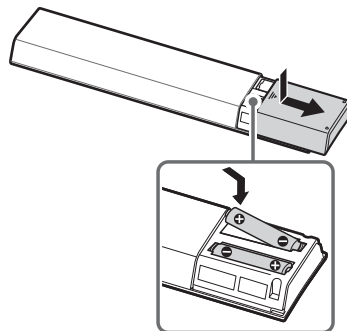
(M5 x 16) (4)

Mode d'emploi (ce manuel) et autres documents

*1 Reportez-vous au nom de modèle imprimé sur la télécommande.

*2 L'assemblage du support de table est requis. Reportez-vous au feuillet d'instructions fourni pour assembler le support de table.

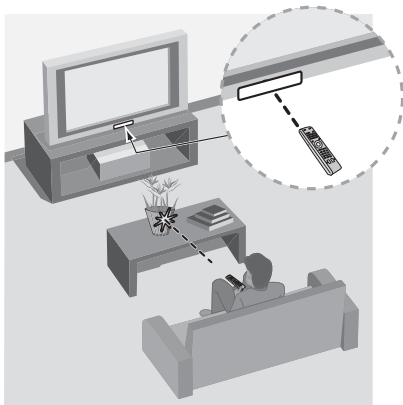
Insérer les piles dans la télécommande



- 1** Retirez le feuillet protecteur.
- 2** Pour l'ouvrir, appuyez sur le couvercle et faites-le glisser.

■ Directives pour la télécommande

- Pointez la télécommande en direction du capteur infrarouge du téléviseur.
- Assurez-vous qu'aucun objet ne se trouve entre la télécommande et le capteur infrarouge.



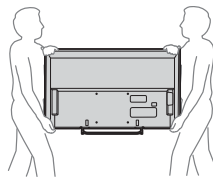
- Les lampes fluorescentes peuvent perturber le fonctionnement de votre télécommande; le cas échéant, éteignez les lampes fluorescentes dans la pièce.
- Si vous éprouvez des difficultés avec la télécommande, réinsérez ou remplacez les piles et assurez-vous qu'elles sont correctement placées dans le logement.

Avant d'installer votre téléviseur

Avec certains modèles de téléviseur, le support de table n'est pas fixé afin de vous permettre de monter directement le téléviseur au mur. Reportez-vous à la page 33 (Fixer le téléviseur au mur) si vous souhaitez installer ce téléviseur au mur. Si vous ne comptez pas installer le téléviseur au mur, vous devez installer le support de table. Vous aurez besoin d'un tournevis Phillips (non fourni) et des vis fournies pour compléter cette tâche. Reportez-vous au feuillet d'instructions du support de table fourni.

Tenez compte de ce qui suit pendant l'installation du téléviseur :

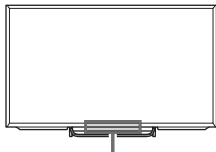
- Débranchez tous les câbles avant de transporter le téléviseur.
- Transportez le téléviseur avec le nombre de personnes approprié; un téléviseur de grande taille doit être transporté par au moins deux personnes.
- Lors du transport du téléviseur, le bon emplacement des mains est très important pour votre sécurité, ainsi que pour éviter de causer des dommages.



- Assurez-vous que le téléviseur est entouré d'une ventilation adéquate; reportez-vous à la page 34.
- Pour obtenir une qualité d'image optimale, n'exposez pas l'écran à la lumière directe d'une lampe ou du soleil.
- Évitez d'installer le téléviseur dans une pièce dont le sol et les murs sont d'un matériau réfléchissant.

FR

- Évitez de déplacer le téléviseur d'un endroit froid à un endroit chaud. Un changement soudain de température peut provoquer de la condensation. Ce phénomène peut affecter la qualité de l'image et/ou des couleurs affichées par le téléviseur. Si cela se produit, laissez la condensation s'évaporer complètement avant de mettre le téléviseur sous tension.
- Assurez-vous qu'aucun objet ne se trouve devant le téléviseur.



Capteur infrarouge

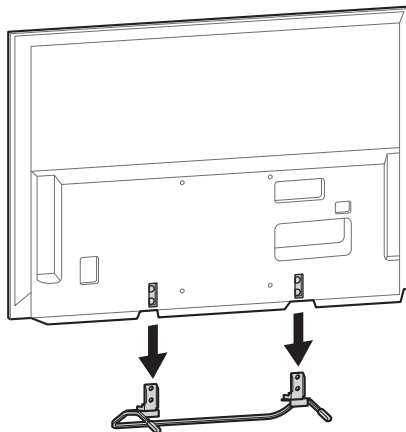
1 : Fixer le support de table


Reportez-vous au feuillet d'instructions fourni pour assembler le support de table correctement.

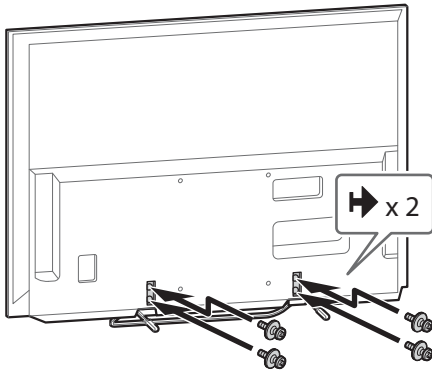


- N'appliquez pas de pression sur l'écran ACL ou sur le cadre entourant l'écran.
- Faites attention de ne pas pincer vos mains ou le cordon d'alimentation CA lorsque vous installez le téléviseur sur le support de table.

1 Fixez le téléviseur sur le support de table.



- 2** Fixez le téléviseur au support de table à l'aide des vis fournies. Les flèches  indiquent l'emplacement des trous pour les vis afin de fixer le support de table.



- Si vous utilisez un tournevis électrique, réglez le couple de serrage à environ 1,5 N·m (15 kgf·cm).

Démonter le support de table du téléviseur

Démonter le support de table du téléviseur, retirer les vis fixées à l'étape 2.



- N'enlevez pas le support de table pour aucune raison autre que l'installation des accessoires correspondants sur le téléviseur.
- Assurez-vous que le téléviseur est en position verticale avant de l'allumer. Pour éviter des irrégularités de l'uniformité de l'image, ne pas allumer le téléviseur avec l'écran ACL vers le bas.
- Pour fixer de nouveau le support de table, veillez à utiliser les vis (que vous avez enlevées précédemment) dans les mêmes orifices à l'arrière du téléviseur.

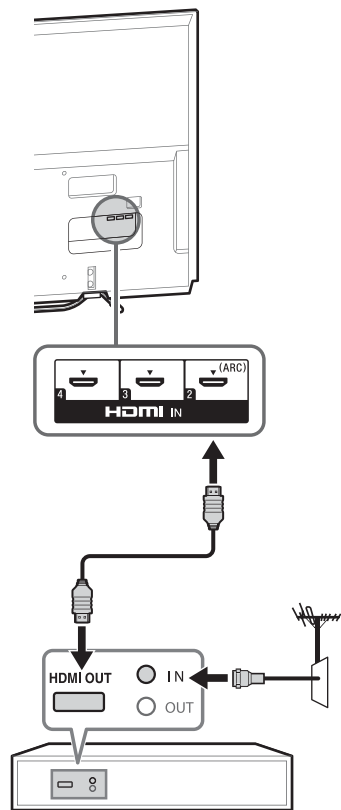
2 : Raccorder le téléviseur



- Utiliser un raccord de câble d'antenne d'une épaisseur de moins de 14 mm.
- Lorsque vous branchez le câble au Câble / Antenne, serrez-le à la main uniquement, car serrer excessivement la connexion peut endommager le téléviseur.
- Avant de déplacer le téléviseur, débranchez tous les câbles connectés au téléviseur afin d'éviter d'endommager ce dernier lors du déplacement.
- Utiliser un raccord de câble HDMI d'une épaisseur de 12 mm d'épaisseur par 21 mm de largeur.
- Pour plus de détails sur les connexions, reportez-vous au i-Manuel.

FR

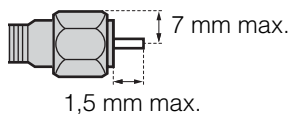
■ Illustré avec un décodeur avec la connexion à HDMI



Décodeur

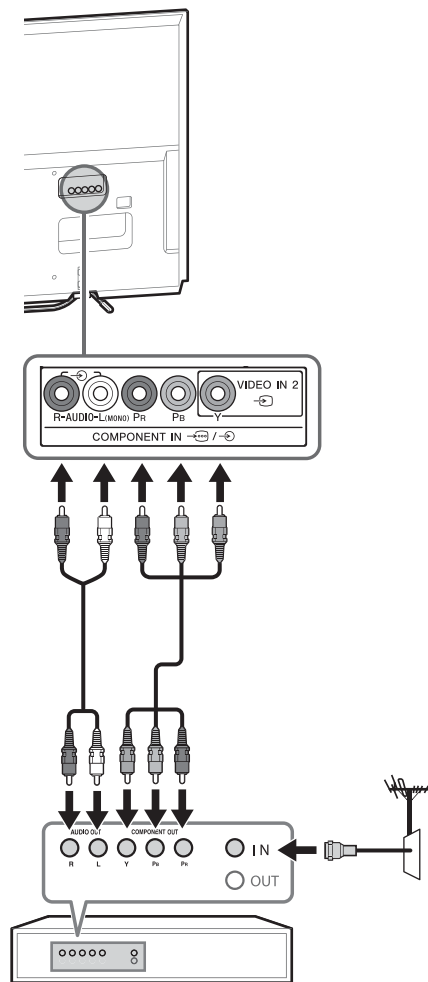
Recommandation pour une prise de type F

La partie saillante de la tige centrale du connecteur doit être de moins de 1,5 mm.



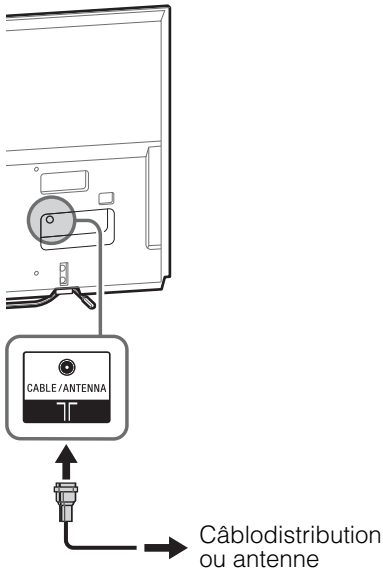
(Schéma de référence pour une prise de type F)

■ Illustré avec un décodeur avec la connexion COMPONENT

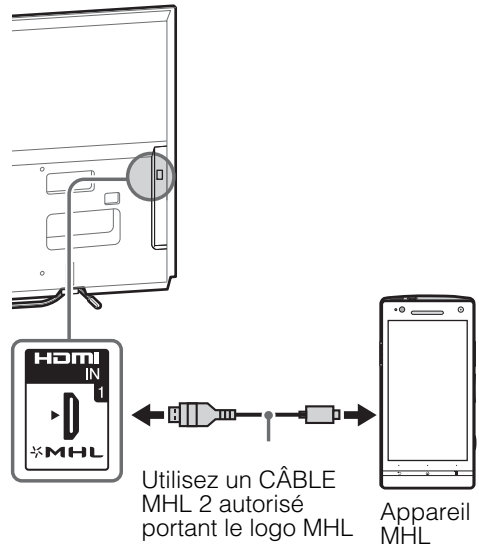


Décodeur

■ Système de câblodistribution ou d'antenne VHF/UHF



■ Illustré avec un appareil MHL équipé de connexion MHL



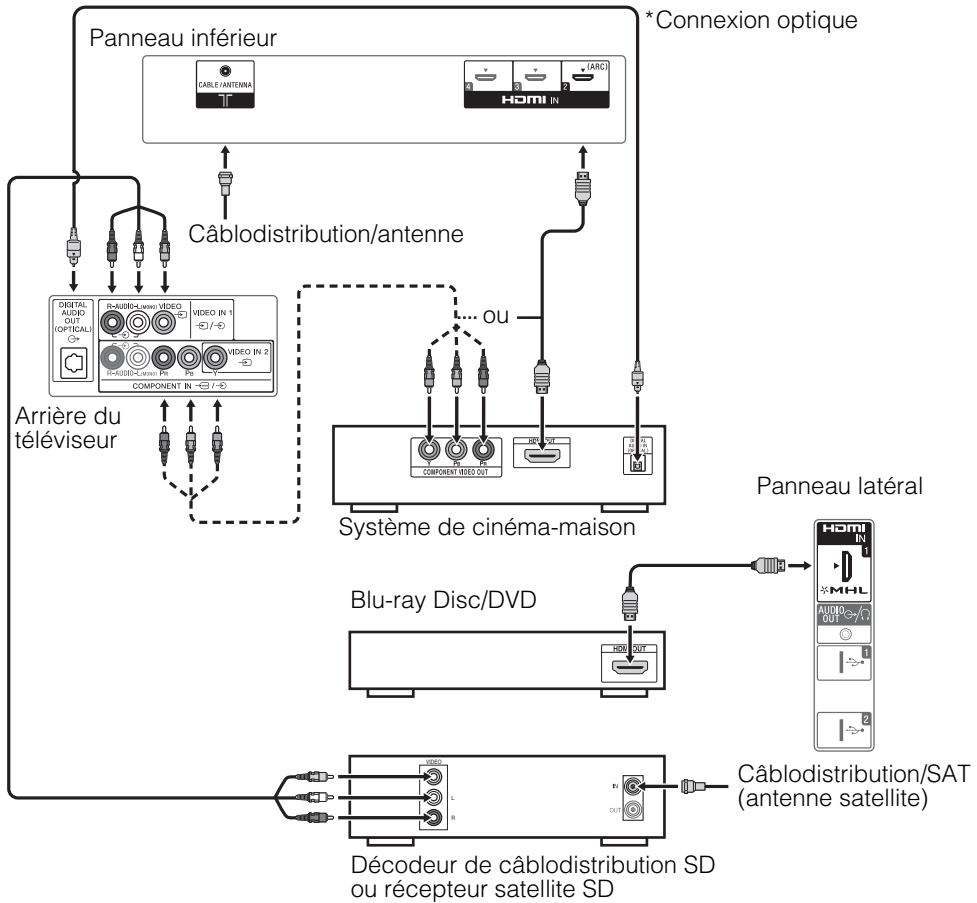
FR

Le téléviseur charge simultanément l'appareil connecté compatible MHL tout en lisant les photos / la musique / les fichiers vidéo. La télécommande du téléviseur peut être utilisée pour contrôler l'appareil connecté compatible avec la fonction MHL.



- Si **Modif. auto de l'entrée (MHL)** est réglé sur **Oui**, le téléviseur change automatiquement vers HDMI IN 1/MHL à partir d'une autre entrée lorsque l'appareil compatible avec la fonction MHL est connecté à la prise HDMI IN 1/MHL. La disponibilité de **Modif. auto de l'entrée (MHL)** dépend du fait que l'appareil compatible avec la fonction MHL prenne en charge cette fonctionnalité.
- Si **Recharger l'appareil MHL à l'extinction** est réglé sur **Oui**, vous pouvez continuer de charger l'appareil compatible avec la fonction MHL, y compris lorsque le téléviseur est en mode veille.

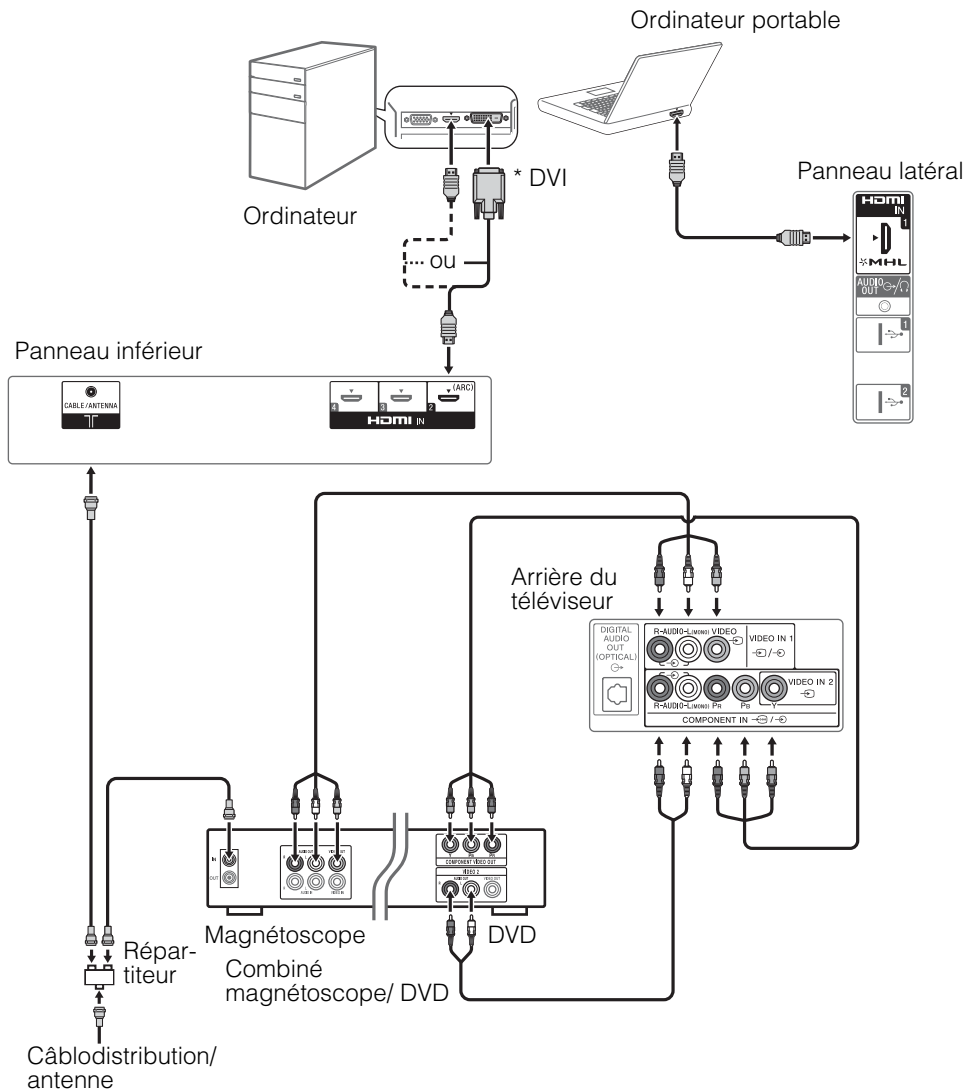
■ **Illustré avec une connexion HD de base avec un système de cinéma-maison**



FR

* La connexion optique est requise seulement lorsque le système de cinéma-maison n'est pas compatible ARC (Audio Return Channel) et qu'il est connecté en HDMI.
 Définissez les réglages d'enceinte sur sortie audio, appuyez sur **HOME**, puis sélectionnez **Réglages** → **🔊) Son** → **Haut-parleurs** → **Système audio**.
 Définissez les réglages HDMI CEC sur le téléviseur et sur le récepteur audio-vidéo pour autoriser la commande audio du système et les connexions ARC.

■ **Illustré avec la connexion à un ordinateur avec un magnétoscope ou lecteur DVD à définition standard**



* La prise DVI ne prend pas en charge les signaux audio. Connecter la sortie audio de l'ordinateur aux enceintes d'ordinateur ou à un récepteur audio-vidéo pour écouter le son de l'ordinateur.

3 : Fixer le téléviseur



Sony recommande fortement de prendre les mesures nécessaires pour prévenir le basculement du téléviseur.

Des téléviseurs qui ne sont pas fixés solidement peuvent basculer et entraîner des dommages matériels, des blessures corporelles graves ou même mortelles.

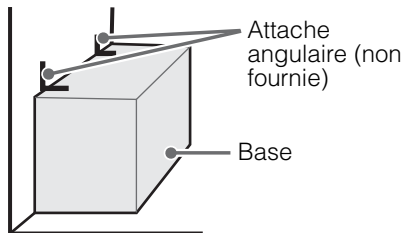
Prévenir le basculement du téléviseur

- Fixer solidement le téléviseur à un mur et/ou à un support.
- Ne pas laisser les enfants jouer ou monter sur les meubles et les téléviseurs.
- Éviter de placer ou d'accrocher des objets sur le téléviseur.
- Ne jamais installer le téléviseur sur :
 - des surfaces glissantes, instables et/ou inégales.
 - un meuble qui peut facilement servir d'escalier, comme une commode à tiroirs.
- Installez le téléviseur où il ne peut pas être tiré, poussé ou renversé.
- Acheminez les cordons d'alimentation CA et les cordons connecteurs afin qu'ils ne soient pas accessibles aux enfants curieux.

Mesures recommandées pour fixer solidement le téléviseur

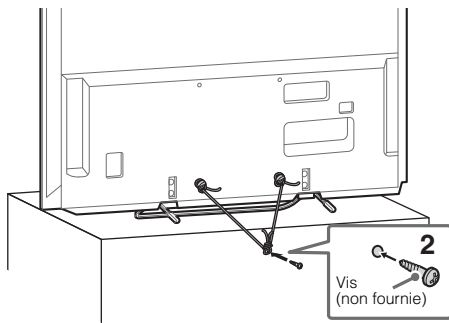
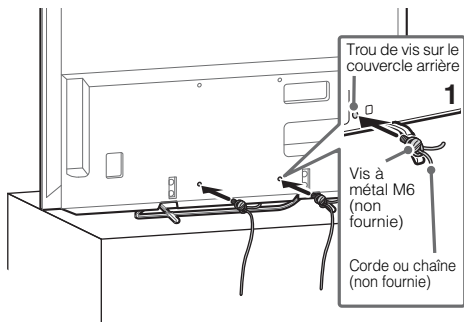
Tenez compte des mesures suivantes lorsque vous fixez votre téléviseur à une base (non fournie).

- 1** Fixer solidement la base du téléviseur. Assurez-vous que la base peut supporter adéquatement le poids du téléviseur. Utiliser deux attaches angulaires (non fournies) pour fixer solidement la base. Avec chaque attache angulaire, utiliser la quincaillerie appropriée pour :
 - Fixer un côté de l'attache angulaire au poteau mural.
 - Fixer l'autre côté à la base.

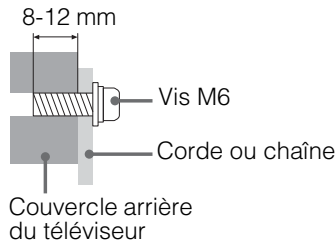


- 2** Fixer solidement le téléviseur à la base. Utiliser la quincaillerie optionnelle mentionnée (non fournie) :
 - Vis à métal M6 (vissée sur le couvercle arrière du téléviseur)
 - Une vis ou l'équivalent (la fixer à la base)
 - Une corde ou une chaîne (assez solide pour supporter le poids du téléviseur). Vous assurer qu'il n'y a pas de mou excessif dans la corde ou la chaîne.

FR

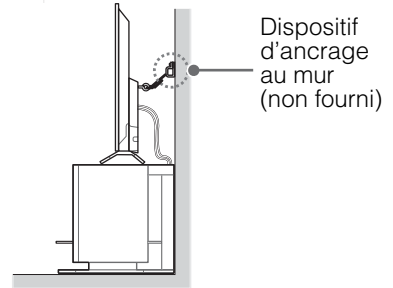
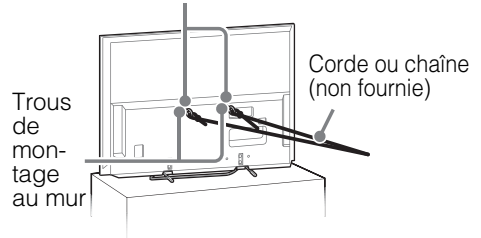


La longueur des vis à métal M6 diffère selon le diamètre de la corde ou de la chaîne. Reportez-vous à l'illustration ci-dessous.



3 Fixez le téléviseur au mur avec des boulons, un dispositif d'ancrage au mur et une chaîne (ou une corde).

Boulons d'ancrage (M6) (non fournis)



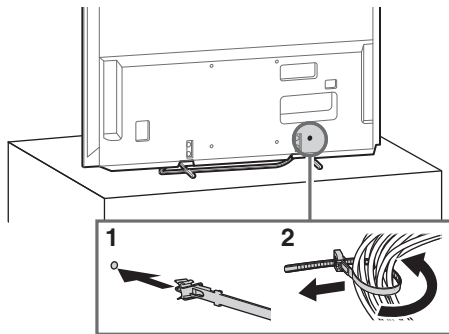
- À la livraison de votre téléviseur, selon le modèle, les vis sont fixées à l'arrière du téléviseur. (Elles sont fixées dans les orifices servant au montage mural.) Veillez à retirer les 2 vis du haut avant de fixer le téléviseur à un mur.
- La mesure 2 fournit une protection minimale contre le basculement du téléviseur. Pour une protection additionnelle, suivre toutes les trois mesures recommandées ci-dessus.

4 : Regrouper les câbles

Avant de regrouper les câbles, retirer le support à câble du couvercle alimentation.



- Ne groupez pas le câble d'alimentation avec les autres câbles.



5 : Brancher le téléviseur à Internet

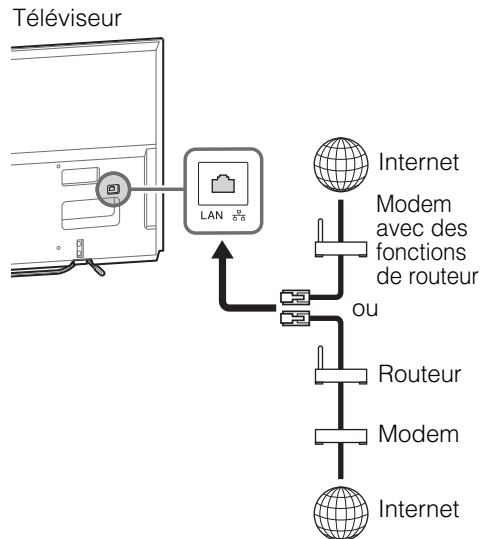
Lorsque ce téléviseur est connecté à Internet vous profitez de plusieurs fonctions. Pour plus de détails sur les fonctions, reportez-vous au i-Manual.



- Vous aurez besoin d'un abonnement à un fournisseur Internet afin de vous connecter.

FR

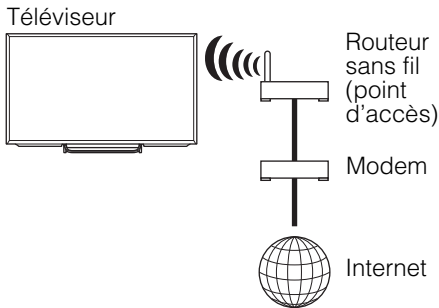
Préparer un réseau câblé



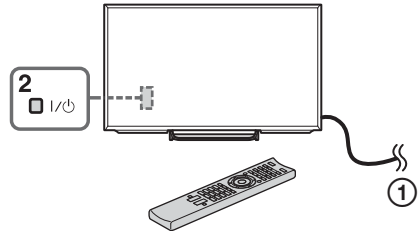
- Pour le raccordement à un réseau local, utilisez un câble de catégorie 7 (non fourni).

Préparer une connexion Wi-Fi

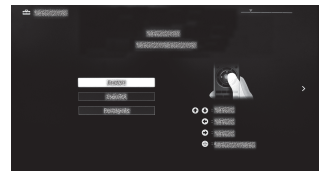
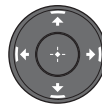
Le dispositif Wi-Fi intégré vous permet d'accéder à Internet et à votre réseau domestique. Cette fonction vous permet de vous connecter à un réseau sans fil et de profiter des avantages de la mise en réseau dans un environnement sans câbles. Avant de configurer la fonction Wi-Fi du téléviseur, assurez-vous d'avoir configuré le routeur sans fil (point d'accès).



6 : Exécuter la configuration initiale



- 1** Terminez vos branchements de câbles avant de commencer la **Configuration initiale**. Branchez le téléviseur à votre prise de courant CA.
- 2** Appuyez sur la touche **I/⏻** du téléviseur. L'indicateur LED sera allumé en vert.
Lorsque vous allumez le téléviseur pour la première fois, le menu Langue/ Language s'affiche à l'écran.
- 3** Appuyez sur **↑/↓/←/→** pour sélectionner un élément, puis appuyez sur **⊕**. Suivez les instructions qui s'affichent à l'écran.



- 4** Définissez la connexion Internet en sélectionnant **Wi-Fi** ou **LAN filaire**. Si vous n'allez pas utiliser les fonctionnalités réseau du téléviseur, ou pour configurer la connexion ultérieurement, sélectionnez **Sauter**.



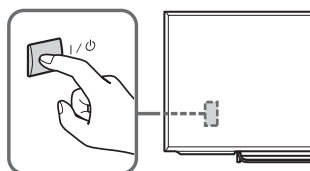
- Le téléviseur détectera et configurera automatiquement le réseau lorsqu'une connexion par câble est effectuée avant la configuration initiale.
- Pour les clients ayant besoin de configurer leur connexion au réseau avec une adresse IP statique ou un serveur Proxy, sélectionnez **Sauter**. Après avoir complété la configuration initiale, appuyez sur **HOME**, puis sélectionnez **Réglages** → **Réseau** → **Configuration du réseau** → **Configurer la connexion réseau** → **Expert**.
- Si vous utilisez une clé de sécurité WEP, sélectionnez **Wi-Fi** → **Connecter par liste de balayage**. Entrez ensuite le nom du réseau (SSID) auquel vous souhaitez vous connecter. Si vous ne trouvez pas le nom de réseau requis, sélectionnez **[Entrée manuelle]** et appuyez sur **+** pour entrer un nom de réseau.
- Pour effectuer la **Configuration du réseau** ultérieurement, appuyez sur **HOME**, puis sélectionnez **Réglages** → **Réseau** → **Configuration du réseau**.
- Le téléviseur cherchera automatiquement une mise à jour du logiciel après la configuration du réseau et essaiera de détecter automatiquement votre zone.

- 5** Recherchez les canaux disponibles à l'aide du syntoniseur intégré du téléviseur en sélectionnant **Syntoniseur intégré** → **Autom..** Si vous allez utiliser un décodeur de câblodistribution ou un récepteur satellite et que vous ne souhaitez pas utiliser le syntoniseur intégré du téléviseur, sélectionnez **Config. de la boîte num..** Si vous ne souhaitez pas utiliser le syntoniseur intégré du téléviseur ou un décodeur, sélectionnez **Sauter**.

Regarder la télévision

1 Allumez le téléviseur.

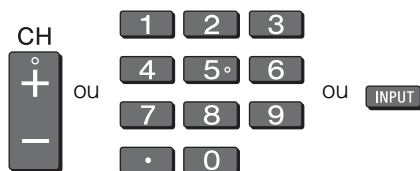
Appuyez sur la touche **I/O** du téléviseur ou la touche **POWER** de la télécommande pour allumer le téléviseur.



ou



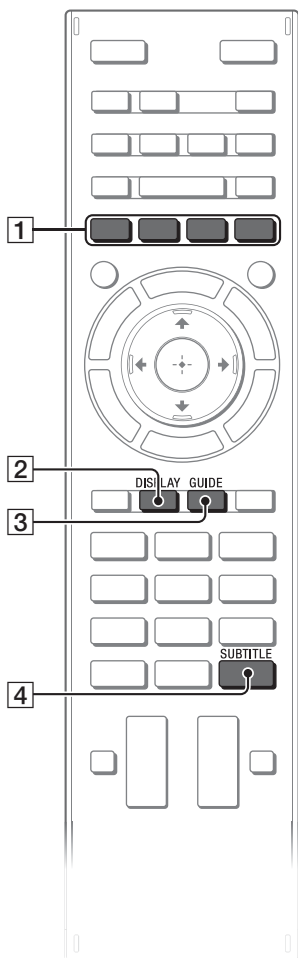
2 Sélectionnez un canal de télévision ou une entrée.



■ Pour sélectionner les canaux numériques

Utilisez **0-9** et **.**. Par exemple, pour enregistrer le canal 2.1 : Appuyez sur **2**, **.** et **1**, puis appuyez sur **+**.

Utiliser la télécommande



■ Touches utilisées fréquemment

1 Touches de couleur

Lorsque les touches de couleur sont disponibles, un guide d'opération apparaît à l'écran.

2 DISPLAY

Affiche le numéro du canal, les détails des émissions et l'heure.

3 GUIDE

Affiche le guide de programmation numérique. (Pour le signal d'antenne uniquement, la disponibilité dépend du modèle de votre téléviseur, de votre région et pays)

4 SUBTITLE/CC

Vous pouvez choisir d'activer ou non les sous-titres.

Retrouver les contenus que vous aimez (Discover)

Vous pouvez utiliser Discover pour rechercher du contenu (émissions de télévision, contenu Internet, etc.). Le contenu affiché sous Discover varie selon le modèle de votre téléviseur, votre région et votre pays.

1 Appuyez sur DISCOVER.



2 Appuyez sur \uparrow/\downarrow pour sélectionner la catégorie souhaitée.



3 Appuyez sur \leftarrow/\rightarrow pour sélectionner l'élément désiré, puis appuyez sur \oplus .

Le contenu choisi est affiché.

Profitez des réseaux sociaux en regardant la télévision (Social Viewing)

Le Social Viewing apporte les avantages des réseaux sociaux à votre expérience télévisée.

Appuyez sur **SOCIAL VIEW** pour bavarder avec vos amis en regardant la télévision. Les fonctions disponibles de Social Viewing peuvent varier selon le modèle de votre téléviseur, votre région et votre pays. Vous aurez besoin d'établir une connexion Internet à large bande. Pour plus de détails, allez à la page 19 (5 : Brancher le téléviseur à Internet).

Puis, allez à **Configuration du réseau** et connectez le téléviseur à Internet en suivant les instructions à l'écran.

SOCIAL VIEW



- Vous devrez peut-être mettre à jour le logiciel du téléviseur pour utiliser cette fonction. Appuyez sur **HOME**, puis sélectionnez **? Aide** → **Service à la clientèle** → **Mise à jour du logiciel**.

FR

Sélectionner différents contenus et outils (menu d'accueil)

Sélectionnez la catégorie souhaitée en haut du Menu Accueil. Vous pouvez reproduire du contenu en sélectionnant sa vignette dans une sous-catégorie. Vous pouvez également utiliser les fonctions (comme la modification des réglages) en sélectionnant leur icône.

1 Appuyez sur HOME.



2 Appuyez sur ←/→ pour sélectionner la catégorie souhaitée, puis appuyez sur ⊕.



3 Appuyez sur ↓, puis sur ←/→ pour sélectionner la sous-catégorie souhaitée.

Lorsque le curseur est déplacé au-delà de la limite gauche/droite de la sous-catégorie, la sous-catégorie suivante est affichée (s'il existe plus d'une sous-catégorie).



4 Sélectionnez la vignette du contenu souhaité.

Le contenu est reproduit.

Sélectionner plusieurs contenus

La disponibilité des catégories peut varier selon votre modèle de téléviseur, votre région ou votre pays.



Canal

Vous pouvez visualiser la liste des contenus numériques diffusés et les vignettes des contenus actuellement diffusés ou à venir. Vous pouvez également changer le système de diffusion à l'aide de la **Liste des canaux** au bas du menu d'accueil.



Films

Vous pouvez regarder des films provenant de fournisseurs de services cinématographiques en ligne, de périphériques USB connectés, ou de votre réseau domestique.



Album

Vous pouvez visionner des photos provenant de fournisseurs de services en ligne, de périphériques USB connectés ou de votre réseau domestique.



Musique

Vous pouvez reproduire du contenu musical provenant de fournisseurs de services musicaux en ligne, de périphériques USB connectés ou de votre réseau domestique.



Applications

Vous pouvez lancer des applications. Les vignettes des applications en présentation (**En présentation**) et de vos applications préférées (**Mes applications**) sont affichées. Pour afficher toutes les applications, sélectionnez **Toutes les applications** au bas du menu d'accueil.

Sélectionner un outil

La disponibilité des outils peut varier selon votre modèle de téléviseur, votre région ou votre pays.



Rechercher

Vous pouvez saisir un mot-clé afin de rechercher du contenu. Vous pouvez également sélectionner les mots-clés précédemment utilisés.



Entrées

Vous pouvez sélectionner un périphérique d'entrée connecté au téléviseur.



Serveur multimédia

Vous pouvez sélectionner un serveur multimédia (comme une clé USB ou un réseau domestique) pour explorer son contenu à l'aide de l'Explorateur de médias.



Réglages

Vous pouvez modifier les réglages du téléviseur (par exemple Image et Affichage, Son, Canal)



Aide

Vous pouvez consulter les informations relatives à l'autodiagnostic et au service à la clientèle. Vous pouvez également accéder au i-Manual.



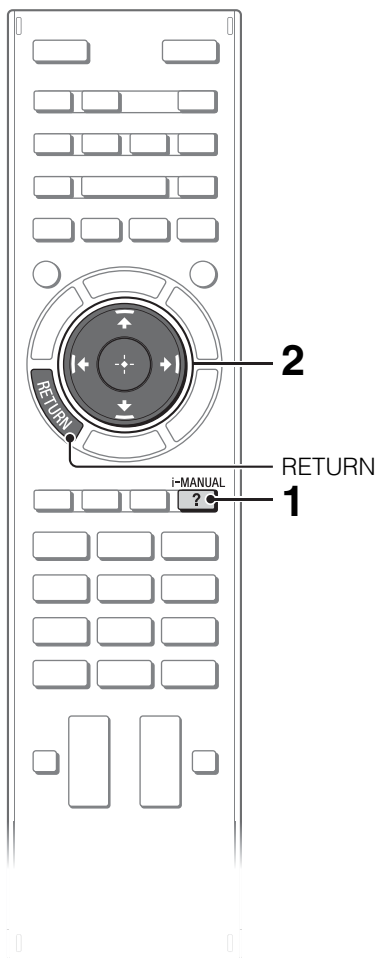
État du réseau

Vous pouvez afficher l'état de la connexion réseau.

FR

Recherche des instructions dans le manuel électronique (i-Manual)

Le mode d'emploi est intégré à votre téléviseur BRAVIA et s'affiche à l'écran. Pour en apprendre davantage au sujet des fonctions de votre téléviseur, vous pouvez accéder au i-Manual du simple toucher d'un bouton.

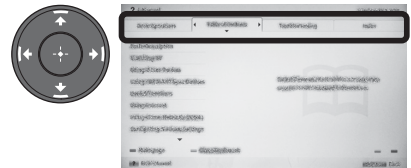


1 Appuyez sur i-MANUAL.



2 Sélectionnez un élément.

- 1 Appuyez sur \leftarrow/\rightarrow pour sélectionner un élément.

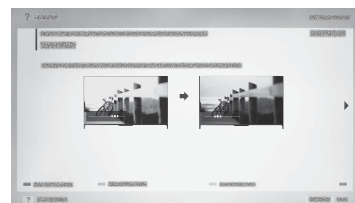


- 2 Appuyez sur $\uparrow/\downarrow/\leftarrow/\rightarrow$ pour sélectionner un élément, puis appuyez sur \oplus .



* Si une flèche apparaît, appuyez sur \downarrow plusieurs fois afin d'afficher plus d'éléments.

La page des éléments sélectionnés apparaît.



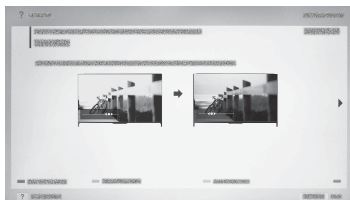
- Vous pouvez naviguer dans les pages à l'aide de \leftarrow/\rightarrow . Appuyez sur **RETURN** pour revenir à la page précédente.

Enregistrer les pages visionnées fréquemment (Signets)

Vous pouvez enregistrer les pages visionnées fréquemment pour un accès plus facile en tout temps.

■ Pour enregistrer une page

Lorsque la page à ajouter aux signets s'affiche, appuyez sur la touche rouge de la télécommande.



FR

■ Pour accéder à la page mise en signet

Lors de l'affichage du i-Manual, appuyez sur la touche bleue de la télécommande afin d'afficher la liste des signets. Appuyez sur **▲/▼** pour sélectionner l'élément désiré, puis appuyez sur **⊕**.



- Appuyez sur **RETURN** pour revenir à l'écran précédent.

■ Pour supprimer un signet

Lorsque la page en signet est affichée, appuyez sur la touche rouge de la télécommande.

Dépannage

Lorsque l'indicateur LED clignote en rouge, comptez combien de fois il clignote (un intervalle de 3 secondes entre les clignotements).

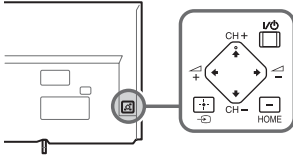
Si l'indicateur LED clignote en rouge, réinitialisez le téléviseur en débranchant le cordon d'alimentation CA pendant deux minutes, puis allumez le téléviseur.

Si le problème persiste, contactez le Service à la clientèle Sony (coordonnées indiquées sur la couverture de ce document) en indiquant le nombre de fois que l'indicateur LED clignote en rouge (l'intervalle de temps est de 3 secondes). Appuyez sur la touche **I/⏻** du téléviseur pour l'éteindre, débranchez le cordon d'alimentation CA puis communiquez avec le service à la clientèle de Sony.

Lorsque l'indicateur à LED ne clignote pas, vérifiez les éléments suivants.

Vous pouvez également vous reporter à la section « Dépannage » du i-Manual ou effectuer un auto-diagnostic en sélectionnant **? Aide** → **Service à la clientèle** → **Autodiagnostic**. Si le problème persiste, communiquez avec le service à la clientèle de Sony (coordonnées indiquées sur la couverture de ce document).

Symptôme	Explication/solution
Il n'y aucune image (l'écran est noir) et aucun son.	<ul style="list-style-type: none">• Vérifiez la connexion de câble/antenne.• Branchez le téléviseur à l'alimentation CA, puis appuyez sur la touche I/⏻ du téléviseur ou POWER de la télécommande.
Impossible de syntoniser certaines émissions.	<ul style="list-style-type: none">• Vérifiez l'antenne.
La télécommande ne fonctionne pas.	<ul style="list-style-type: none">• Remplacez les piles.• Il se peut que votre téléviseur soit en mode SYNC. Appuyez sur SYNC MENU, sélectionnez Commandes du téléviseur puis sélectionnez Accueil (Menu) ou Options pour piloter le téléviseur.
Vous avez oublié le mot de passe de la fonction Contrôle parental .	<ul style="list-style-type: none">• Entrez le code NIP 4357. (Le NIP 4357 est toujours fonctionnel.)
Le téléviseur et les objets qui l'entourent deviennent chauds au toucher.	<ul style="list-style-type: none">• Lorsque le téléviseur est utilisé pendant une longue période, le téléviseur et les objets qui l'entourent peuvent devenir chauds au toucher. Il ne s'agit pas d'un problème de fonctionnement du téléviseur.

Symptôme	Explication/solution
<p>Comment réinitialiser le téléviseur à ses réglages d'usine.</p>	<ul style="list-style-type: none"> • Allumez le téléviseur. Tout en maintenant enfoncée la touche ▲ de la télécommande, appuyez sur la touche I/⏻ du téléviseur. (Le téléviseur s'éteindra lui-même, puis se rallumera.) Relâcher ▲. AVERTISSEMENT : La réinitialisation effacera tous vos réglages personnalisés, y compris le réglage Contrôle parental. • Pour plus de sécurité, assurez-vous d'effacer toutes les données à caractère personnel et informations relatives à votre compte avant de vous défaire de votre téléviseur ou de le vendre à un tiers, en procédant à la désynchronisation/désinscription, déconnexion et désactivation de tous les services de réseau et en rétablissant les paramètres d'usine du téléviseur.
<p>L'audio ou la vidéo ne répond pas, l'écran est vide, ou le téléviseur ne répond pas aux touches de commande du téléviseur ni de la télécommande.</p>	<ul style="list-style-type: none"> • Effectuer une simple réinitialisation du téléviseur en débranchant le cordon d'alimentation CA pendant deux minutes, puis en le rebranchant.
<p>Les touches I/⏻, CH+/-, ▲ +/-, ▲/▼/◀/▶, ⏻, ⏻ et HOME ne peuvent pas être placées sur le téléviseur.</p>	<ul style="list-style-type: none"> • Reportez-vous à l'illustration ci-dessous pour connaître l'emplacement des touches sur le téléviseur. <p>Arrière du téléviseur</p> 

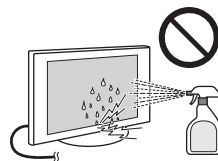
Entretien de votre téléviseur BRAVIA

La sécurité est très importante. La sécurité étant de première importance, veuillez lire la documentation de sécurité (Feuille de consignes de sécurité) fournie séparément et vous y conformer.








Débranchez le téléviseur et les appareils raccordés de la prise de courant avant de nettoyer le téléviseur.

- Essuyez l'écran ACL délicatement à l'aide d'un chiffon doux.
- Les taches tenaces peuvent être enlevées à l'aide d'un chiffon légèrement imbibé d'une solution de savon doux et d'eau tiède.
- Si vous utilisez un chiffon prétraité avec un produit chimique, suivez bien les directives indiquées sur l'emballage.
- Ne vaporisez jamais d'eau ou de détergent directement sur le téléviseur. Le liquide pourrait couler au bas de l'écran ou sur les parties extérieures, voire pénétrer dans le téléviseur et l'endommager.
- N'utilisez jamais de solvants corrosifs tels qu'un diluant, de l'alcool ou du benzène pour nettoyer l'appareil.
- Attendez que l'humidité laissée par le nettoyage se soit évaporée avant de rebrancher le téléviseur dans la prise de courant.

Le téléviseur doit aussi être placé sur une surface stable afin de prévenir son basculement (consultez la page 17). Si vous avez des enfants ou des animaux domestiques, vérifiez régulièrement que le téléviseur est fixé solidement pour une utilisation en toute sécurité.



Spécifications

Système	
Système de télévision	NTSC: Norme de télévision en Amérique ATSC (8VSB terrestre): 8VSB conforme avec ATSC QAM sur le câble: ANSI/SCTE 07 2000 (n'inclut pas la fonctionnalité CableCARD)
Plages de canaux	Analogique terrestre : 2 - 69 / Numérique terrestre : 2 - 69 Câble analogique : 1 - 135 / Câble numérique : 1 - 135
Système de l'écran	Écran ACL (affichage à cristaux liquides), Rétroéclairage LED
Puissance des haut-parleurs	10 W + 10 W
Technologie sans fil	Protocole IEEE802.11a/b/g/n
Connecteurs d'entrée et de sortie	
CABLE/ANTENNA	Borne extérieure de 75 ohms pour entrées RF
 VIDEO IN 1	Entrée vidéo/audio (prises phono)
 COMPONENT IN	YPbPr (vidéo composante) : 1080p (60 Hz), 1080i (60 Hz), 720p (60 Hz), 480p, 480i Entrée Audio (prises phono)
 VIDEO IN 2	Entrée Vidéo (tige phono commune avec entrée Y)
HDMI IN 1/2/3/4	Vidéo : 1080p (30, 60 Hz), 1080/24p, 1080i (60 Hz), 720p (30, 60 Hz), 720/24p, 480p, 480i, formats PC Audio : 5.1 canaux linéaires PCM : 32, 44,1 et 48 kHz, 16, 20 et 24 bits, Dolby Digital ARC (Audio Return Channel) (HDMI IN 2 seulement)
MHL (commune avec HDMI IN 1)	Vidéo : 1080p (30 Hz), 1080/24p, 1080i (60 Hz), 720p (30, 60 Hz), 720/24p, 480p, 480i Audio : 5.1 canaux linéaires PCM : 32, 44,1 et 48 kHz, 16, 20 et 24 bits, Dolby Digital
 AUDIO OUT/ 	Sortie audio (mini-prise stéréo) Prise casque (compatible avec sortie haut-parleur infragrave)
 DIGITAL AUDIO OUT (OPTICAL)	Prise optique numérique (Deux canaux linéaires PCM, Dolby Digital)
 LAN	Connecteur 10BASE-T/100BASE-TX (La vitesse de connexion peut varier selon l'environnement réseau. Le débit 10BASE-T/100BASE-TX et la qualité de la communication ne sont pas garantis pour ce téléviseur.)
USB/DLNA	Reportez-vous au i-Manual pour connaître les formats pris en charge.
Autres	
Accessoires compris	Allez à page 8 (Vérifier les accessoires).
Accessoires en option	Caméra avec microphone : CMU-BR200/CMU-BR100 Infragrave sans fil : SWF-BR100 Câble MHL : DLC-MB10/DLC-MB20/DLC-MC20
Température de service	0 °C – 40 °C (32 °F – 104 °F)

FR

Alimentation et autres		
Alimentation		110 V - 240 V CA, 50/60 Hz (États-Unis/Canada 120 V CA, 60 Hz)
Consommation d'énergie	en cours d'utilisation	165 W
	en veille	Moins de 0,2 W pour les modèles 120 V CA et moins de 0,3 W pour les modèles 240 V CA
Taille de l'écran* (mesurée en diagonale) (pouces)		60 pouces
Résolution de l'écran		1 920 points (horizontal) × 1 080 lignes (vertical)
Dimensions*	avec support (mm) (pouces)	1 370 × 846 × 230 54 × 33 ³ / ₈ × 9 ¹ / ₈
	sans support (mm) (pouces)	1 370 × 811 × 84 54 × 32 × 3 ³ / ₈
	schéma des trous pour la fixation murale (mm)	300 × 300
	taille des vis de fixation murale (mm)	M6 (longueur : voir le diagramme sur page 33.)
Poids*	avec support (kg)/(lb.)	20,5 / 45,2
	sans support (kg)/(lb.)	19,9 / 43,9

* La taille de l'écran, les dimensions et le poids sont indiqués à titre indicatif.

- La disponibilité des accessoires en option dépend des pays/régions/modèles de téléviseur/stocks.
- La conception des produits et les caractéristiques techniques peuvent changer sans préavis.
- Ce téléviseur intègre le MHL 2.

Fixer le téléviseur au mur

Le mode d'emploi pour ce téléviseur ne montre que les étapes de préparation de l'installation du téléviseur avant de l'installer au mur.

Votre téléviseur peut être installé au mur avec un support de fixation murale (non fourni) dès sa sortie de l'emballage. Il se peut que le support de table soit fixé au téléviseur, dans ce cas, vous devez d'abord démonter le support de table du téléviseur; reportez-vous à la page 11 (Démonter le support de table du téléviseur).

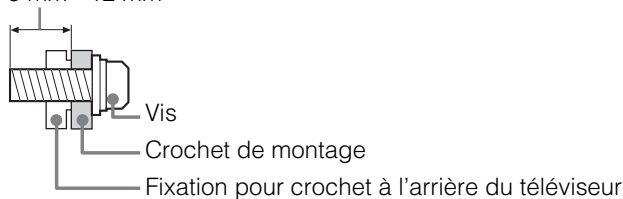
Préparez le téléviseur pour l'installation du support de fixation murale avant d'effectuer le raccordement des câbles.

FR

Pour des raisons de sécurité et de protection du produit, Sony recommande fortement que l'installation de votre téléviseur sur le mur soit effectuée par un professionnel qualifié. N'essayez pas de l'installer vous-même.

- Suivez le guide d'instructions fourni avec le support de fixation murale pour votre modèle. Une certaine expertise est nécessaire pour l'installation de ce téléviseur, en particulier en ce qui concerne la solidité du mur en relation avec le poids de l'appareil.
- La longueur des vis pour le support de fixation murale diffère selon l'épaisseur du support de fixation murale. Reportez-vous à l'illustration ci-dessous.

8 mm - 12 mm



- Assurez-vous de ranger les vis non utilisées et le support de table dans un endroit sûr jusqu'à ce que vous soyez prêt à fixer le support de table. Garder les vis hors de la portée des jeunes enfants.

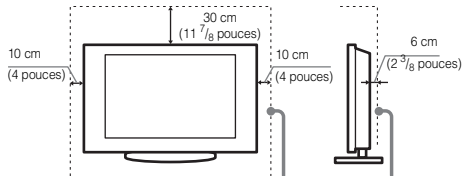


- Lisez le Feuille de consignes d'utilisation et de sécurité fourni pour plus de renseignements sur l'utilisation en toute sécurité.

Installation du téléviseur contre un mur ou dans un endroit fermé

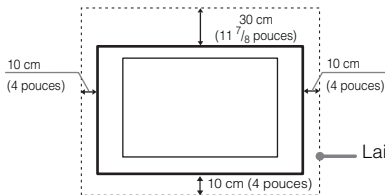
Assurez-vous que l'air circule adéquatement autour du téléviseur. Tel qu'illustré, laissez suffisamment d'espace autour du téléviseur.

Installation sur support



Laissez au moins cet espace autour du téléviseur.

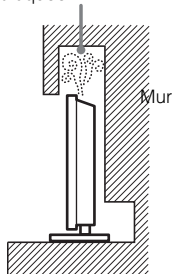
Installation au mur



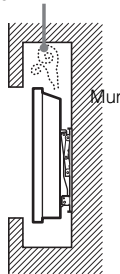
Laissez au moins cet espace autour du téléviseur.

N'installez jamais le téléviseur de la manière suivante :

La circulation d'air est bloquée.



La circulation d'air est bloquée.



- Une ventilation inadéquate peut faire surchauffer le téléviseur et causer des dommages ou déclencher un incendie.

Consignes de sécurité

Déclaration de conformité

Appellation commerciale: SONY
Modèle: KDL-60W630B/ KDL-60W610B
Partie responsable: Sony Electronics Inc.
Adresse: 16530 Via Esprillo, San Diego, CA
92127 U.S.A.
Numéro de téléphone: 858-942-2230

Cet appareil est conforme à la section 15 des règlements de la FCC. L'utilisation de ce dispositif est autorisée seulement aux conditions suivantes:

(1) Cet appareil ne doit pas provoquer des interférences gênantes; et (2) cet appareil doit pouvoir accepter les interférences reçues, y compris les interférences risquant de déclencher des opérations non désirées.

AVIS

Cet appareil a été soumis à l'essai et s'est avéré conforme aux limites pour un appareil numérique de classe B, conformément à la section 15 des règlements de la FCC. Ces normes sont conçues pour assurer une protection raisonnable contre les interférences nuisibles dans un environnement résidentiel. Cet appareil génère, utilise et peut émettre de l'énergie radioélectrique et, s'il n'est pas installé ou utilisé selon les directives, peut causer des interférences nuisibles aux communications radio. Cependant, il n'existe aucune garantie que des interférences ne se produiront pas dans une installation particulière. Si ce matériel est source d'interférences nuisibles pour la réception radio ou télévisée, ce qui peut être déterminé en mettant l'appareil hors tension, puis sous tension, il est recommandé de tenter d'éliminer ces interférences en appliquant l'une ou plusieurs des mesures suivantes :

- Réorienter ou déplacer l'antenne réceptrice.
- Éloigner l'appareil du récepteur.
- Brancher l'appareil dans une prise d'un circuit différent de celui qui alimente le récepteur.
- Consulter le détaillant ou un technicien radio ou télévision qualifié pour obtenir de l'aide.

Conformément aux règlements de la FCC, vous êtes averti que tous les changements ou modifications non expressément approuvés dans ce manuel pourraient annuler tous vos droits relatifs à l'utilisation de ce produit.

Sécurité et réglementation

Cet appareil est conforme aux normes RSS d'Industrie Canada applicables aux appareils radio exempts de licence. L'utilisation de ce dispositif est autorisée seulement aux conditions suivantes : (1) Cet appareil ne doit pas provoquer des interférences gênantes; et (2) cet appareil doit pouvoir accepter les interférences reçues, y compris les interférences risquant de déclencher des opérations non désirées.

Pour empêcher que cet appareil cause du brouillage au service faisant l'objet d'une licence, il doit être utilisé à l'intérieur et devrait être placé loin des fenêtres afin de fournir un écran de blindage maximal. Si le matériel (ou son antenne d'émission) est installé à l'extérieur, il doit faire l'objet d'une licence.

Utilisez uniquement le LAN sans fil à l'intérieur lorsqu'il est utilisé avec l'IEEE 802.11a (5 GHz).

Ce dispositif est conforme aux limites d'exposition aux rayonnements de la FCC/IC prescrites pour un environnement non contrôlé et est conforme aux directives d'exposition de fréquence radio (RF) de la FCC établies au supplément C à OET65 et RSS-102 des règlements d'exposition de fréquence radio (RF) IC. Ce dispositif a des niveaux très bas d'énergie RF qui sont jugés conformes sans évaluation d'exposition permissive (MPE) maximum. Il doit être installé et utilisé en laissant une distance minimale de 20 cm entre le radiateur et le corps (en excluant les extrémités : mains, poignets, pieds et chevilles).

Cet appareil et sa ou ses antennes ne doivent pas être placés à proximité d'autres antennes ou émetteurs ni fonctionner avec eux, sauf autorisation spéciale.

Remarque

Ce téléviseur comporte un démodulateur QAM qui devrait vous permettre de recevoir une programmation numérique décodée de câblodistribution par le biais d'un service d'abonnement auprès d'un câblodistributeur. La disponibilité d'une programmation télévisée numérique par câblodistribution dans votre région dépend du type de programmation et de signal fournis par votre câblodistributeur.

FR

For Your Convenience

Online Registration:	<p>Be sure to register your TV.</p> <p>United States http://productregistration.sony.com Canada http://www.sony.ca/registration</p>
Software Updates:	<p>Your TV is capable of receiving software updates. For the latest information about software updates for your TV, visit:</p> <p>United States http://www.sony.com/tvsupport Canada http://www.sony.ca/support</p> <p>NOTE: If your TV is connected to the Internet, you can check for software updates by selecting ? Help,  Customer Support and then Software Update.</p>

Pour votre commodité

Enregistrement en ligne :	<p>Faire en sorte de compléter l'enregistrement de votre téléviseur.</p> <p>Canada http://www.sony.ca/fr/registration États-Unis http://productregistration.sony.com</p>
Mise à jour du logiciel :	<p>Votre téléviseur est en mesure de recevoir des mises à jour logicielles. Pour obtenir les renseignements les plus à jour sur les mises à jour du logiciel de votre téléviseur, visitez :</p> <p>Canada http://support.sony.ca/fr États-Unis http://www.sony.com/tvsupport</p> <p>REMARQUE : Si votre téléviseur est connecté à Internet, vous pouvez vérifier les mises à jour du logiciel en sélectionnant ? Aide,  Service à la clientèle, puis Mise à jour du logiciel.</p>