

# SONY®

## Television Téléviseur

Reference Guide

US

Manuel de référence

FR

### **Sony Customer Support**

U.S.A.:

<http://www.sony.com/tvsupport>

Canada:

<http://www.sony.ca/support>

United States

Canada

1.800.222.SONY

1.877.899.SONY

Please Do Not Return the Product to  
the Store

### **Service à la clientèle Sony**

Canada :

<http://support.sony.ca/fr>

États-Unis :

<http://www.sony.com/tvsupport>

Canada

États-Unis

1.877.899.SONY

1.800.222.SONY

Ne retournez pas le produit au magasin

## BRAVIA

XBR-100Z9D

# Table of Contents

IMPORTANT NOTICE . . . . .	2
Safety Information . . . . .	3
Precautions . . . . .	5
Parts and Controls . . . . .	7
Controls and Indicators . . . . .	7
Using Remote Control . . . . .	8
Remote Control Parts Description . . . . .	8
Attaching the Floor Stand . . . . .	10
Bundling the cables . . . . .	12
Connection Diagram . . . . .	14
Installing the TV to the Wall . . . . .	16
Detaching the Table-Top Stand from the TV . . . . .	16
Installing the TV against a wall or enclosed area . . . . .	17
Troubleshooting . . . . .	18
Troubles and Solutions . . . . .	18
Specifications . . . . .	19

## Introduction

Thank you for choosing this Sony product. Before operating the TV, please read this manual thoroughly and retain it for future reference.

### Note

- Images and illustrations used in Setup Guide and this manual are for reference only and may differ from the actual product.

The 100" class has a 99.5 inch (252.8 cm) viewable image size (measured diagonally).

## Location of the Setup Guide

Setup Guide is placed on top of the cushion inside the TV carton.

## Help/Help Guide

Help feature offers a lot of information about your TV. To use the Help feature, press **HELP** on the remote control. You can find how to and troubleshooting's from the list or keyword search. Select [Help Guide] on Help Menu to view the manual. If you connect your TV to the internet, the Help feature and information will be updated.

## Location of the identification label

Labels for the TV Model No. and Power Supply rating are located on the rear of the TV. They can be found by removing the terminal cover (TC3).

## IMPORTANT NOTICE

### Owner's Record

The model and serial numbers are located at the side and rear of the TV. Record these numbers in the spaces provided below. Refer to them whenever you call upon your Sony dealer regarding this TV.

Model Name  
\_\_\_\_\_

Serial No.  
\_\_\_\_\_

## CAUTION

To prevent electric shock and blade exposure, do not use this AC plug with an extension cord, receptacle or other outlet unless the blades can be fully inserted.

- Operate the TV only on 110 V - 240 V AC (U.S.A./Canada 120 V AC)

### (3D compatible models only)

- Some people may experience discomfort (such as eye strain, fatigue, or nausea) while watching 3D video images or playing stereoscopic 3D games. Sony recommends that all viewers take regular breaks while watching 3D video images or playing stereoscopic 3D games. The length and frequency of necessary breaks will vary from person to person. You must decide what works best. If you experience any discomfort, you should stop watching the 3D video images or playing stereoscopic 3D games until the discomfort ends; consult a doctor if you believe necessary. You should also review (i) the instruction manual of any other device or media used with this television and (ii) our website (<http://www.sony.com/tvsupport>) for the latest information. The vision of young children (especially those under six years old) is still under development. Consult your doctor (such as a pediatrician or eye doctor) before allowing young children to watch 3D video images or play stereoscopic 3D games. Adults should supervise young children to ensure they follow the recommendations listed above.

- Do not use, store, or leave the 3D Glasses or battery near a fire, or in places with a high temperature, e.g., in direct sunlight, or in sun-heated cars.

## Note

This television includes a QAM demodulator which should allow you to receive unscrambled digital cable television programming via subscription service to a cable service provider. Availability of digital cable television programming in your area depends on the type of programming and signal provided by your cable service provider.

## Safety Information

### Declaration of Conformity

Trade Name: SONY  
 Model: XBR-100Z9D  
 Responsible Party: Sony Electronics Inc.  
 Address: 16535 Via Esprillo,  
 San Diego, CA 92127 U.S.A.  
 Telephone Number: 858-942-2230

This device complies with part 15 of the FCC rules. Operation is subject to the following two conditions:  
 (1) This device may not cause harmful interference, and  
 (2) This device must accept any interference received, including interference that may cause undesired operation.

## FCC Related Information

This equipment has been tested and found to comply with the limits for a Class B digital device, pursuant to Part 15 of the FCC Rules. These limits are designed to provide reasonable protection against harmful interference in a residential installation. This equipment generates, uses and can radiate radio frequency energy and, if not installed and used in accordance with the instructions, may cause harmful interference to radio communications. However, there is no guarantee that interference will not occur in a particular installation. If this equipment does cause harmful interference to radio or television reception, which can be determined by turning the equipment off and on, the user is encouraged to try to correct the interference by one or more of the following measures:

- Reorient or relocate the receiving antenna.
- Increase the separation between the equipment and receiver.
- Connect the equipment into an outlet on a circuit different from that to which the receiver is connected.
- Consult the dealer or an experienced radio/TV technician for help.

Pursuant to FCC regulations, you are cautioned that any changes or modifications not expressly approved in this manual could void your authority to operate this equipment.

## Safety and Regulatory

This device complies with Industry Canada's licence-exempt RSSs. Operation is subject to the following two conditions:

- (1) This device may not cause interference; and
- (2) This device must accept any interference, including interference that may cause undesired operation of the device.

To prevent radio interference to the licensed service, this device is intended to be operated indoors and away from windows to provide maximum shielding. Equipment (or its transmit antenna) that is installed outdoors is subject to licensing.

Only use Wireless LAN indoors when using it with IEEE 802.11a (5 GHz).

This equipment complies with FCC/IC radiation exposure limits set forth for an uncontrolled environment and meets the FCC radio frequency (RF) Exposure Guidelines and RSS-102 of the IC radio frequency (RF) Exposure rules. This equipment should be installed and operated keeping the radiator at least 20 cm or more away from person's body (excluding extremities: hands, wrists, feet and ankles).

This device and its antenna(s) must not be co-located or operating with any other antenna or transmitter except Grant condition.

## WARNING

Never place a television set in an unstable location. A television set may fall, causing serious personal injury or death. Many injuries, particularly to children, can be avoided by taking simple precautions such as:

- Using cabinets or stands recommended by the manufacturer of the television set.
- Only using furniture that can safely support the television set.
- Ensuring the television set is not overhanging the edge of the supporting furniture.
- Not placing the television set on tall furniture (for example, cupboards or bookcases) without anchoring both the furniture and the television set to a suitable support.
- Not placing the television set on cloth or other materials that may be located between the television set and supporting furniture.
- Educating children about the dangers of climbing on furniture to reach the television set or its controls.

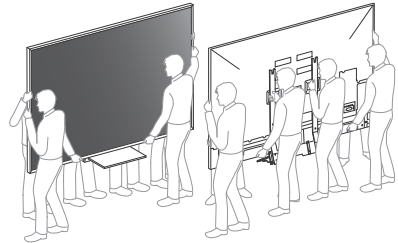
If your existing television set is being retained and relocated, the same considerations as above should be applied.

## Before setting up your TV

Some TV models are packaged with a detached Table-Top Stand so you can mount your TV to a wall right away. See page 16 (Installing the TV to the Wall) if you want to mount the TV to a wall. If you are not mounting the TV to a wall, you will need to attach the Table-Top Stand. You will need a Phillips screwdriver (not supplied) and the supplied screws to complete the task. Look for the Setup Guide.

Be sure to consider the following while setting up your TV:

- Disconnect all cables when carrying the TV.
- Carry the TV with the adequate number of people; larger size TVs require six or more people.
- Correct hand placement while carrying the TV is very important for safety and to avoid damage.



- Ensure your TV has adequate ventilation, see page 17.
- For best picture quality, do not expose the screen to direct illumination or sunlight.
- Avoid installing the TV in a room with reflective wall and floor materials.
- Avoid moving the TV from a cold area to a warm area. Sudden room temperature changes may cause moisture condensation. This may cause the TV to show poor picture and/or poor color. Should this occur, allow moisture to evaporate completely before powering the TV on.

## Securing the TV



Sony strongly recommends taking measures to prevent the TV from toppling over. Unsecured TVs may topple and result in property damage, serious bodily injury or even death.

## Preventing the TV from Toppling

- Secure the TV to a wall and/or stand.
- Do not allow children to play or climb on furniture and TV sets.
- Avoid placing or hanging items on the TV.
- Never install the TV on:
  - slippery, unstable and/or uneven surfaces.
  - furniture that can easily be used as steps, such as a chest of drawers.
- Install the TV where it cannot be pulled, pushed, or knocked over.
- Route all AC power cords and connecting cables so that they are not accessible to curious children.

## Recommended Measures to Secure the TV

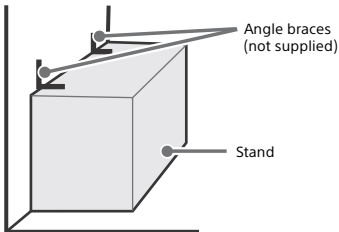
Consider the following measures when securing your TV to a Stand (not supplied).

### Table-Top Stand

#### 1 Secure the Stand for the TV.

Make sure the Stand can adequately support the weight of the TV. Use two angle braces (not supplied) to secure the stand. For each angle brace use the appropriate hardware to:

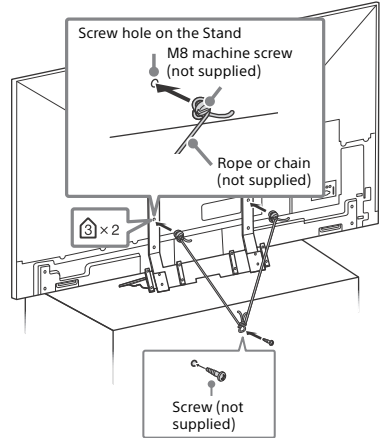
- Attach one side of the angle brace to the wall stud.
- Attach the other side to the Stand.



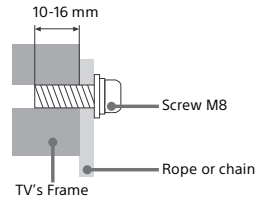
#### 2 Secure the TV to the Stand.

Use the optional hardware listed as follows (not supplied):

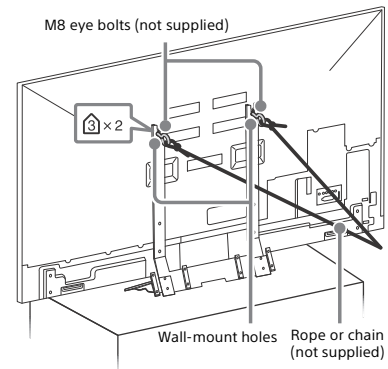
- M8 machine screw (screwed into the TV's rear cover).
- A screw or similar (attach it to the Stand)
- Rope or chain (strong enough to support the weight of the TV). Make sure that there is no excess slack in the rope or chain.

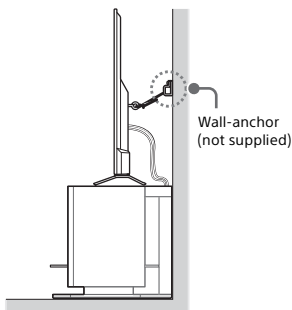


The length of the M8 machine screw differs depending on the rope or chain diameter. Please see below illustration.

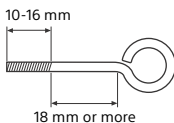


#### 3 Anchor the TV to the wall by using bolts, wall anchor and chain (or rope).





Please see below illustration for M8 eye bolt length.



### Note

- Your TV is shipped with screws attached to the rear of the TV depending on the TV model. (They are fastened in the screw holes for wall mounting.) Be sure to remove the upper two screws prior to anchoring the TV to a wall.
- Securing the TV to the stand without securing the TV and the stand to the wall provides minimum protection against the TV toppling over. For further protection, be sure to follow the three measures recommended.

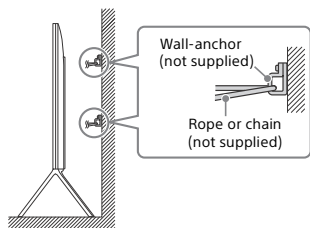
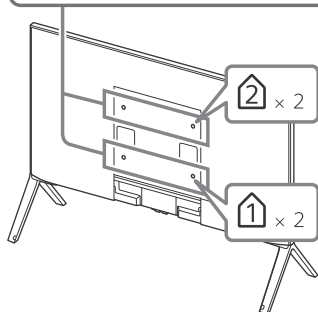
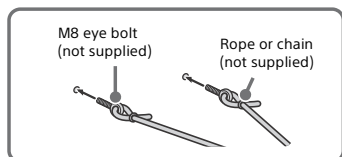
US

## Floor Stand

### 1 Secure the TV to the wall.

Use the optional hardware listed as follows (not supplied):

- M8 eye bolt (screwed into the TV's rear cover).
- A screw or similar (attach it to the Stand).
- Rope or chain (strong enough to support the weight of the TV). Make sure that there is no excess slack in the rope or chain.



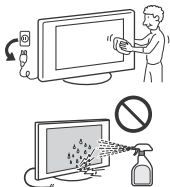
## Precautions

### How to care for your BRAVIA TV

Safety is very important. Please read and follow the safety documentation (Safety Booklet) separately provided.

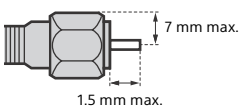
Unplug the TV and other connected equipment from the wall outlet before you begin cleaning your TV.

- Wipe the LCD screen gently with a soft cloth.
  - Stubborn stains may be removed with a cloth slightly moistened with a solution of mild soap and warm water.
  - If using a chemically pretreated cloth, please follow the instruction provided on the package.
  - Never spray water or detergent directly on the TV set. It may drip to the bottom of the screen or exterior parts and enter the TV set, and may cause damage to the TV set.
  - Never use strong solvents such as a thinner, alcohol or benzine for cleaning.
  - Do not plug in the TV into the wall outlet until the moisture from cleaning has evaporated.
  - Do not touch the TV if your hand is covered in any chemical substance such as hand cream or sunblock.
- The TV should also be placed on a stable surface to prevent it from toppling over (see page 4). If you have young children or pets at home, check regularly to ensure the TV is securely fastened.



### Recommendation for an F type plug

Projection of the inner wire from the connection part must be less than 1.5 mm.



(Reference drawing for an F type plug)

## The BRAVIA® 4K TV Experience

Thank you for choosing Sony! Your new BRAVIA® TV opens the door to the "4K TV Experience." This document will help you get the most out of your TV. Please take a moment to register your TV at:  
**U.S.A.:** <http://productregistration.sony.com>  
**Canada:** <http://www.sony.ca/registration>

## Four Steps to a 4K TV Experience

Set, Source, Sound, and Setup.

### 1 Set

Now that you have made the best selection in LED backlit LCD TV technology, be sure to remove all of the accessories from the packaging before setting up your TV.

### 2 Source

To experience the stunning detail of your BRAVIA TV, you need access to HD programming.

- Upgrade your signal or content source to high-definition (4K) by contacting your HD service provider.

- Bring the astonishing resolution of your Sony 4K Ultra HD TV to life with Sony 4K Ultra HD Media Player. (The availability depends on region)
- Receive over-the-air HD broadcasts with an HD-quality antenna connected directly to the back of your TV.

Visit <http://www.antennaweb.org> for more information on antenna selection and setup.

- Discover the wealth of entertainment now available on super-high resolution Blu-ray Disc™ player and other Sony HD equipment.

### 3 Sound

Complete the high-definition experience with a BRAVIA Sync™ surround sound system or A/V receiver from Sony.

### 4 Setup

Install your TV and connect your sources. See page 14 for sample connection diagrams. To help assure the highest quality for your 4K experience, use Sony HDMI (High-Definition Multimedia Interface) cables.


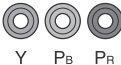



## To learn more about 4K TV, visit:

**U.S.A.:** <http://www.sony.com/HDTV>

**Canada:** <http://www.sony.ca/hdtv>

This TV displays all video input signals in a resolution of 3,840 dots × 2,160 lines.

The following chart shows the high-definition (HD) and standard-definition (SD) video formats supported by your BRAVIA TV inputs.

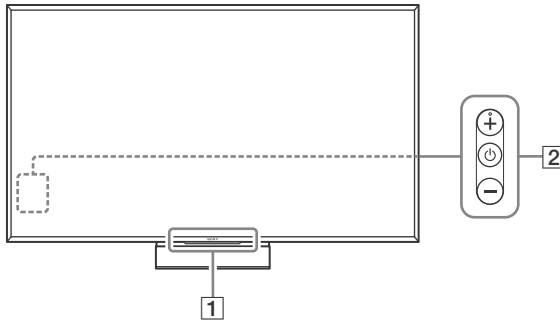
	INPUT	VIDEO	AUDIO	SUPPORTED FORMATS								
				4K* <sup>1</sup>	1080/24p/30p	1080p* <sup>1</sup>	1080i	720/24p/30p	720p* <sup>1</sup>	480p	480i	PC* <sup>2</sup>
4K/ HD	HDMI			✓	✓	✓	✓	✓	✓	✓	✓	✓
	COMPONENT	 Y Pb Pr	 Audio L/R			✓	✓		✓	✓	✓	
SD	VIDEO	 Composite video connection	 Audio L/R								✓	

\*1 For details of supported formats, refer to the "Specifications" in this manual.

\*2 For supported PC formats refer to the Help Guide.

# Parts and Controls

## Controls and Indicators



### 1 Remote Control sensor\*1 / Light sensor\*1 / Illumination LED / 3D Sync Transmitter\*1\*2

The illumination LED lights up or blinks according to the status of the TV.

- White  
When turning on the TV/picture off mode/software update, etc.
- Cyan  
When connecting with a mobile device wirelessly.
- Amber  
Timer is set.

### 2 ⏻ (Power) / + / -

**When the TV is off,**  
Press ⏻ to power on.

**When the TV is on,**  
Long press ⏻ to power off.  
Press ⏻ repeatedly to change the function, then press + or - button to:

- Adjust the volume
- Select the channel
- Select the input source of TV

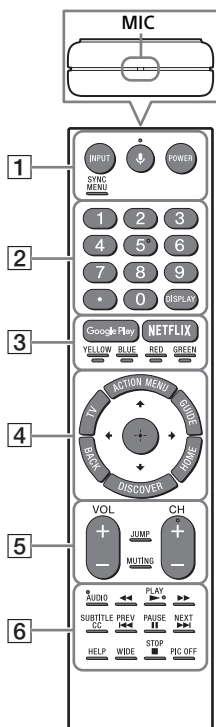
\*1 Do not place anything near the sensor.

\*2 Only on limited region/country/TV model.

# Using Remote Control

## Remote Control Parts Description

The remote control shape, location, availability and function of remote control button may vary depending on your region/country/TV model.



### 1 INPUT

Display and select the input source.

#### 🎤 (Microphone)

Use Voice Function. (e.g., Search various content by voice.)

#### POWER

Turn on or turn off the TV (standby mode).

#### SYNC MENU

Display the BRAVIA Sync Menu.

### 2 Number buttons



Use with the 0-9 buttons to select digital channels.

#### DISPLAY

Display information about the channel/program/input you are viewing.



**3 Google Play**

Access the "Google Play" online service.

**NETFLIX (Only on limited region/  
country/TV model)**

Access the "NETFLIX" online service.

**Color buttons**

Execute corresponding function at that time.

**4 ACTION MENU**

Display a list of contextual functions.

**TV**

- Switch to a TV channel or input from other applications.
- Turn on the TV to display TV channel or input.

**GUIDE**

Display the digital program guide.

**BACK**

Return to previous screen.

**HOME**

Display the TV Home Menu.

**DISCOVER**

Bring up the Content Bar to search for content.

▲/▼/◀/▶/⊕ (Item select/Enter)

**5 VOL +/- (Volume)**

Adjust the volume.

**JUMP**

Jump back and forth between two channels or inputs. The TV alternates between the current channel or input and the last channel or input that was selected.

**MUTING**

Mute the sound. Press again to restore the sound.

**CH +/- (Channel)**

Select the channel.

**6 AUDIO**

Change the language for the program currently being viewed.



Operate media contents on TV and connected BRAVIA Sync-compatible device.

**SUBTITLE/CC**

Turn subtitles on or off (when the feature is available).

**HELP**

Display Help Menu. Help Guide can be accessed from here.

**WIDE**

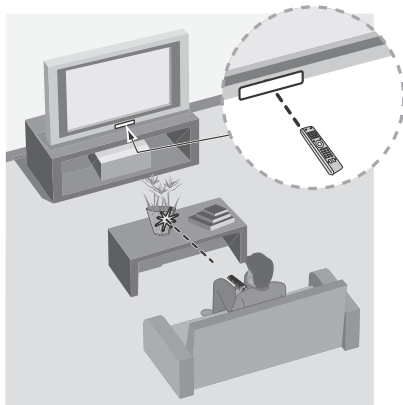
Change the screen format.

**PIC OFF**

Turn the picture off, while sound remains on.

**Guidelines for IR Remote Control**

- Point your remote control directly at the IR sensor located on your TV.
- Make sure that no objects are blocking the path between the remote control and the IR sensor on your TV.



- Fluorescent lamps can interfere with your remote control; try turning off the fluorescent lamps.
- If you are having problems with the remote control, reinsert or replace your batteries and make sure that they are correctly inserted.



## Attaching the Floor Stand

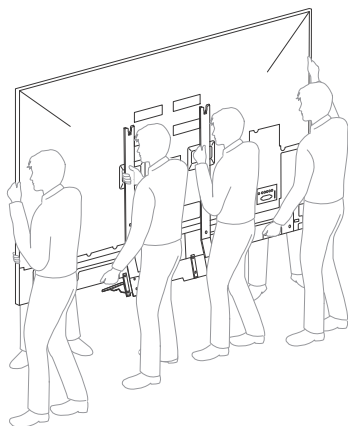
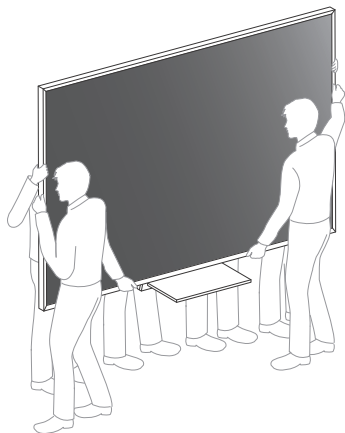
Your TV is shipped with Table-Top Stand attached to the TV.

### Recommended

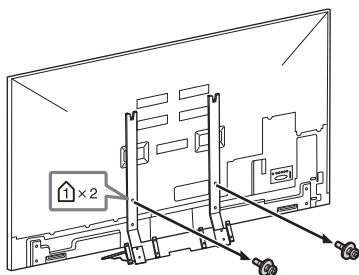
Refer to the instructions below on how to change the Table-Top Stand to Floor Stand.

#### Note

- Do not put stress on the LCD panel or the frame around the screen.
- Be careful to not pinch your hands or the AC power cord when you install the TV set to the Floor Stand.
- Six or more people are needed to carry out this installation.
- Press **HOME**, then select  [Settings]. Select  [Sound] → [TV Position] → [Table-Top Stand] when you use the Floor Stand.



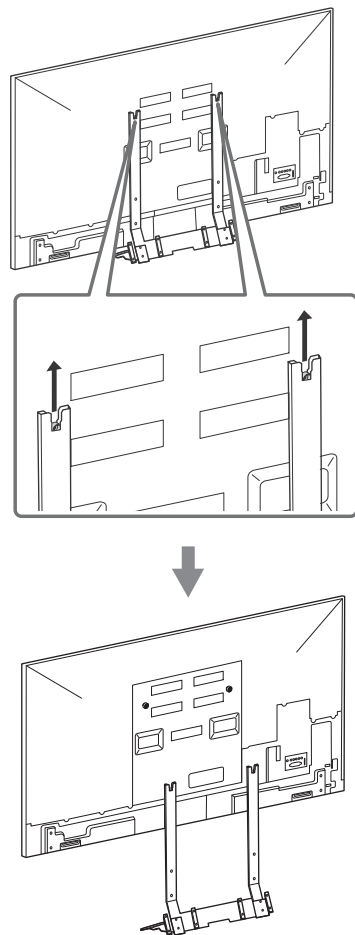
### 1 Remove screws from Table-Top Stand.



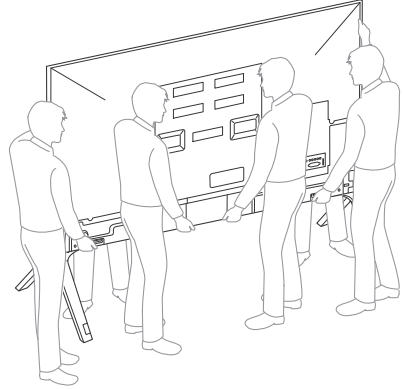
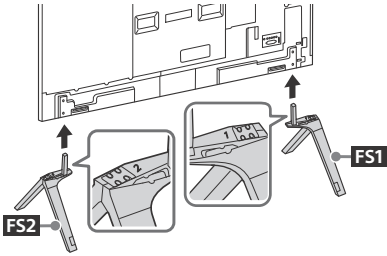
#### Note

- When reassemble the Table-Top Stand, make sure it matches the screw holes.

### 2 Lift up the TV.

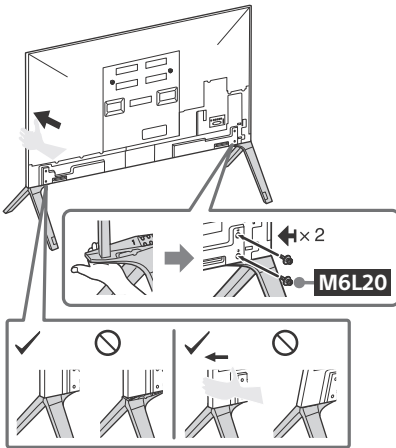


### 3 Attach the Floor Stand to the TV.

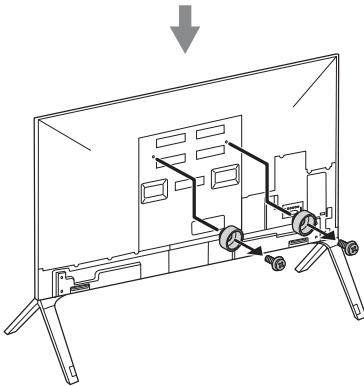


US

### 4 Support the Floor Stand while attaching them to the TV using the supplied screws **M6L20** to avoid dropping.



- Larger size TVs require six or more people.



#### Note

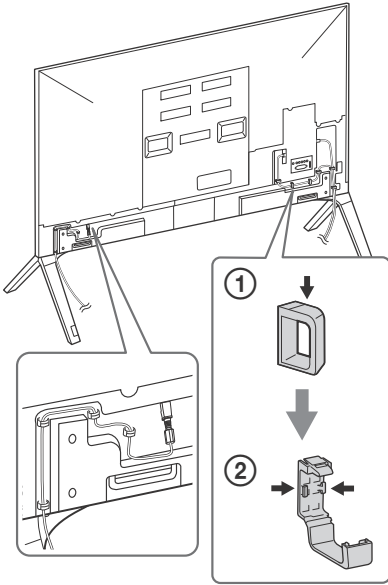
- If using an electric screwdriver, set the torque at approximately 1.5 N·m {15 kgf·cm}.

# Bundling the cables

**Note**

- Do not bundle the AC power cord together with other cables.

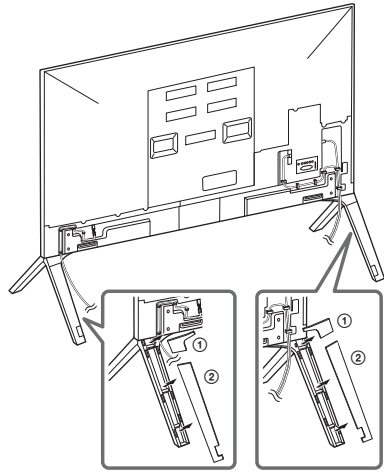
1



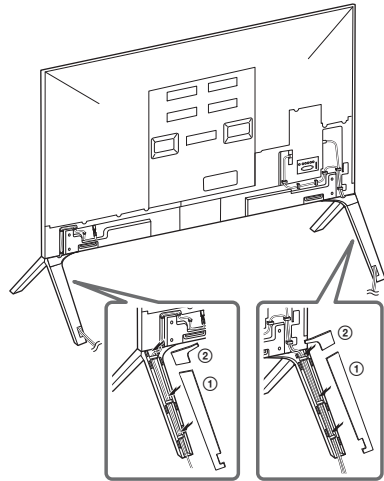
**Note**

- To detach the cable clamer from the TV, press the top of the clamer ①, then pinch ② as illustrated.

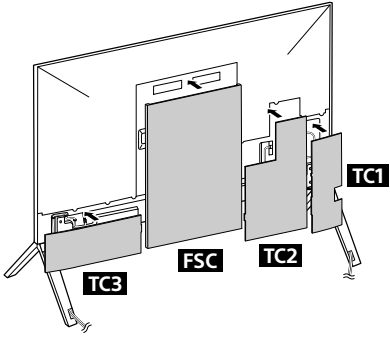
2



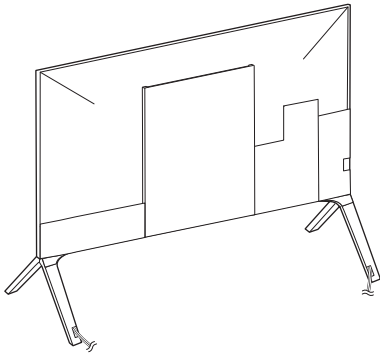
3



4



US

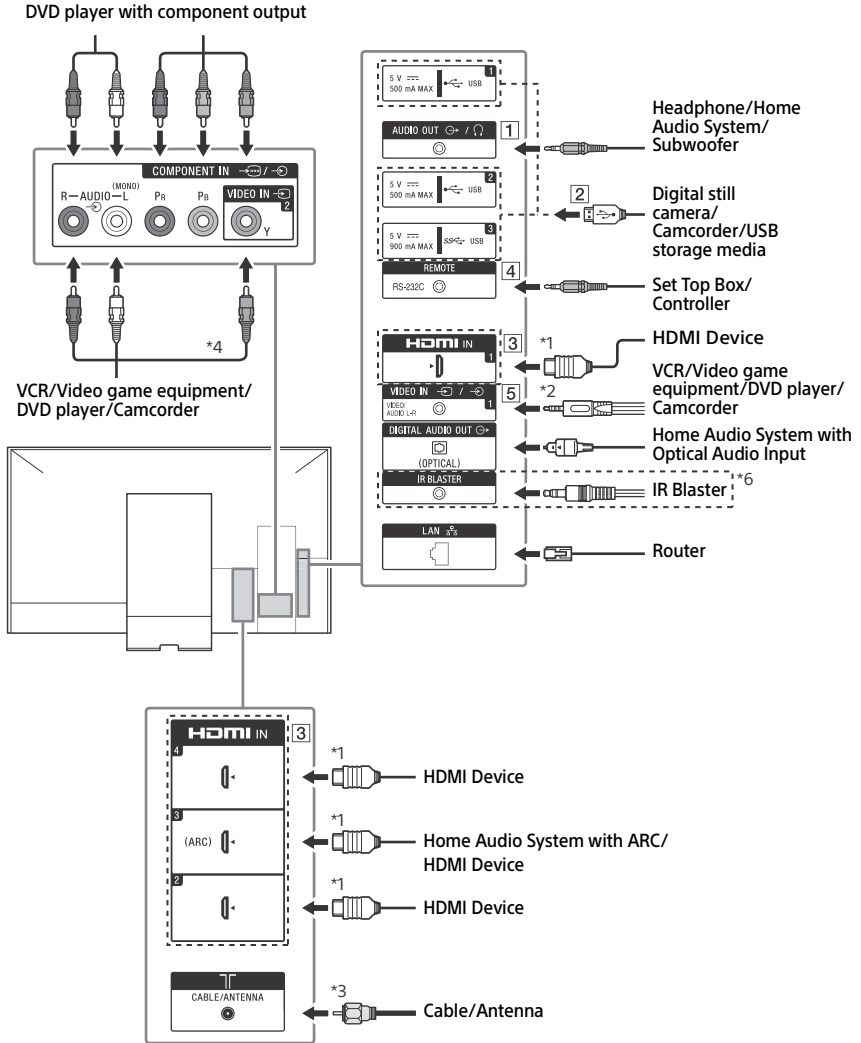


# Connection Diagram

For more information on connections, refer to the Help Guide (page 2).

**Note**

- When connecting the cable to the Cable/Antenna, input finger tighten only, over tightening the connection can damage the TV.



### 1 AUDIO OUT\*5

- To listen to the TV's sound through the connected equipment, press **HOME**. Select [Settings] → [Sound] → [Headphone/Audio out] and then select the desired item.

### 2 **USB 1/2**, **USB 3**

- Connecting a large USB device may interfere with other connected devices beside it.
- When connecting a large USB device, connect to the USB 1 port.

### 3 **HDMI IN 1/2/3/4**

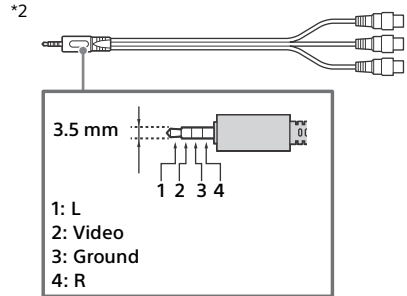
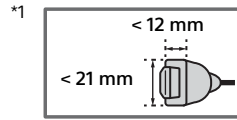
- If connecting a digital audio system that is compatible with Audio Return Channel (ARC) technology, use HDMI IN 3. If not, an additional connection with DIGITAL AUDIO OUT (OPTICAL) is necessary.

### 4 **REMOTE RS-232C**

- This jack is for receiving the external control signal. Enables extended control of the TV using RS-232C via the RS-232C jack.  
RS-232C: connect to the RS-232C terminal of the home controller.
- Take care to not connect to headphones or an external audio system.
- If [RS232C control] is set to [On], [BRAVIA Sync settings] is not available.

### 5 **VIDEO IN 1**

- For a composite connection, use the supplied Analog Extension Cable\*6.



\*4 When connecting mono equipment, connect to the L (MONO) audio jack (socket).

\*5 Supports 3-pole stereo mini jack only.

\*6 Only on limited region/country/TV model.

## Installing the TV to the Wall

This TV's instruction manual only shows the steps on preparing the installation of the TV before installing to the wall.

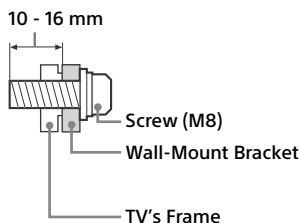
Your TV can be mounted on a wall using a Wall-Mount Bracket (not supplied) out of the box as packaged. If the Table-Top Stand is attached to the TV, the TV may require detaching the Table-Top Stand; see page 16 (Detaching the Table-Top Stand from the TV).

Prepare the TV for the Wall-Mount Bracket before making cable connections.

**For product protection and safety reasons, Sony strongly recommends that installation of your TV on the wall be performed by qualified professionals. Do not attempt to install it yourself.**

**Please contact Customer Service to obtain the Wall-Mount Bracket 6L (not supplied).**

- Follow the instruction guide provided with the Wall-Mount Bracket for your model. Sufficient expertise is required in installing this TV, especially to determine the strength of the wall for withstanding the TV's weight.
- The length of the screw for Wall-Mount Bracket differs depending on the Wall-Mount Bracket thickness. Please see below illustration.



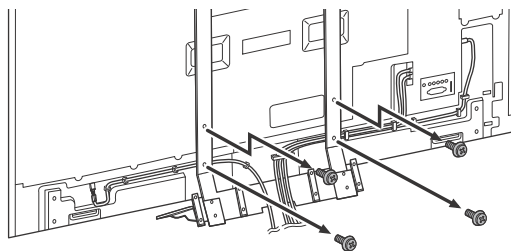
- Be sure to store the unused screws and Table-Top Stand in a safe place until you are ready to attach the Table-Top Stand. Keep the screws away from small children.

### Note

- Read the supplied Safety Booklet for additional safety information.

## Detaching the Table-Top Stand from the TV

To detach the Table-Top Stand from the TV, remove the screws .



### Note

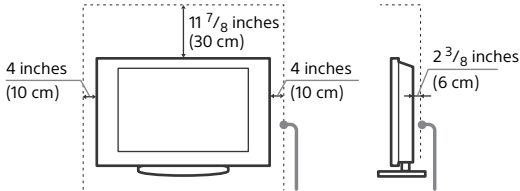
- Do not remove the Table-Top Stand for any reason other than to install corresponding accessories on the TV.
- Be sure the TV is vertical before turning on. To avoid uneven picture uniformity do not power on the TV with the LCD panel facing down.
- When attaching the Table-Top Stand again, be sure to fasten the screws (previously removed) to the original holes on the rear of the TV.



## Installing the TV against a wall or enclosed area

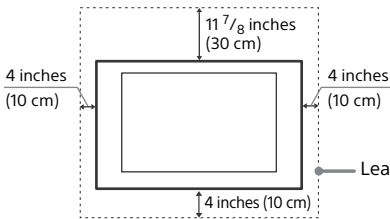
Make sure that your TV has adequate ventilation. Allow enough space around the TV as shown in the illustration.

### Installed with stand



Leave at least this much space around the set.

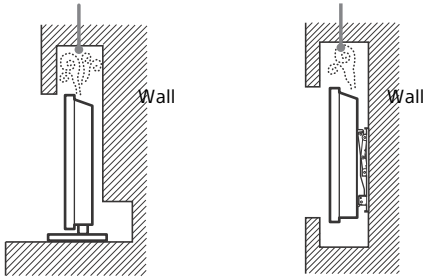
### Installed on the wall



Leave at least this much space around the set.

### Never install the TV set as follows:

Air circulation is blocked. Air circulation is blocked.



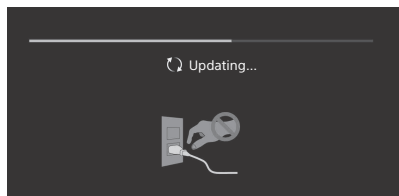
### Note

- Inadequate ventilation can lead to overheating of the TV and may cause damage to your TV or cause a fire.

## Troubleshooting

In order to keep your TV software up-to-date, it is necessary to download the latest software information via the digital broadcasting system or internet and to update the software. Select [Update Now] to start a software update. The illumination LED flashes white while the software is updating.

The following screen with [Updating...] will appear while software is updating.



Do not unplug the AC power cord during the software update. If you do, the software update may not finish completely, and it may cause a software malfunction. Software updates can take up to 30 minutes. If you do not wish to update the software automatically, press **HOME** and select [Help] → [System software update] → [Automatic software download] → [Off].

When you plug in TV, the TV may not be able to turn on for a while even if you press the power button on the remote control or the TV, because it takes time to initialize the system. Wait for about one minute, then operate it again. When you turn on by pressing the power button on the remote control or the TV, it takes some time to turn on the illumination LED and for the remote control to be functional.

**When the illumination LED is flashing red, count how many times it flashes (interval time is three seconds).**

If the illumination LED flashes red, reset the TV by disconnecting the AC power cord for two minutes, then turn on the TV.

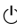
If the problem persists, contact Sony Customer Support (information provided on the front cover) with the number of times the illumination LED flashes red (interval time is three seconds). Disconnect the AC power cord, and contact Sony Customer Support.

**When the illumination LED is not flashing, check the items as follows.**

You can also refer to troubleshooting in the Help Guide or perform self-diagnosis by selecting [Help] → [Self diagnostics]. If the problem persists, contact Sony Customer Support (information provided on the front cover).

## Troubles and Solutions

**There is no picture (screen is dark) and no sound.**

- Check the cable/antenna connection.
- Connect the TV to AC power, and press the  button on the TV or **POWER** button on the remote control.

**Some programs cannot be tuned.**

- Check the cable/antenna connection.

**The remote control does not function.**

- Replace the batteries.

**The [Parental lock (Broadcast)] password has been forgotten.**

- Enter 4357 for the PIN code. Update PIN code by selecting [Settings] → [Parental lock (Broadcast)] → [Change password].

**The TV and its surroundings become warm.**

- When the TV is used for an extended period of time, the TV and its surroundings may become warm to the touch. This is not a malfunction of the TV.

**How to reset the TV to factory settings**

- Turn on the TV. You can reset the TV to factory settings by pressing **HOME**, then select [Settings] → [Storage & reset] → [Factory data reset].  
WARNING: The reset will clear all of your customized settings including the [Parental lock (Broadcast)] setting.
- For security purposes, be sure to remove all personal and account information before discarding, selling or passing your TV to someone else by: unlinking/unregistering, signing out of and deactivating all network services as well as factory reset the TV.

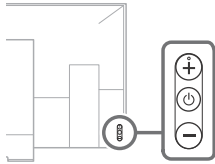
**Frozen audio or video, a blank screen, or the TV does not respond to TV or remote control buttons.**

- Perform a simple reset of the TV by unplugging the AC power cord for two minutes, then plug it in again.

## The $\odot$ , +, and - buttons cannot be located on the TV.

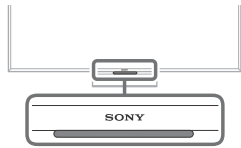
- See below illustration for location of the buttons on the TV.

### Rear of TV



## The illumination LED is turned on.

- If you do not wish to light up the illumination LED, you can turn it off. Press **HOME**, then select [Settings] → [Illumination LED] → [Off].



## Cannot connect to a wireless router by WPS (Wi-Fi Protected Setup).

- If you use WEP security, select [Easy] → [Wi-Fi] → [Connect by scan list]. Then, select the network name (SSID) you want to connect.

## Cannot find the required network name in network setup.

- Select [(Manual entry)] and press  $\oplus$  to enter network name.

# Specifications

## System

### Television system

- NTSC: American TV standard
- ATSC (8VSB terrestrial): ATSC compliant 8VSB
- QAM on cable: ANSI/SCTE 07 2000 (Does not include CableCARD functionality)

### Channel coverage

- Analog terrestrial: 2 - 69 / Digital terrestrial: 2 - 69
- Analog Cable: 1 - 135 / Digital Cable: 1 - 135

### Panel system

- LCD (Liquid Crystal Display) Panel, LED Backlight

### Speaker output

- 10 W + 10 W

### Wireless technology

- Protocol IEEE802.11a/c/a/b/g/n
- Bluetooth Version 4.1

## Input/Output jacks

### CABLE/ANTENNA

- 75-ohm external terminal for RF inputs

### VIDEO IN 1

- Video / Audio input (mini jack)

### COMPONENT IN

- YPbPr (Component Video): 1080p (60 Hz), 1080i (60 Hz), 720p (60 Hz), 480p, 480i
- Audio input (phono pin jack)

### VIDEO IN 2

- Video input (common phono pin with Y input)

### HDMI IN 1/2/3/4 (Support 4K resolution, HDCP 2.2-compatible)

#### Video (2D):

- 4096 × 2160p (60 Hz)<sup>\*1</sup>, <sup>\*2</sup>, 4096 × 2160p (24 Hz)<sup>\*1</sup>, 3840 × 2160p (60 Hz)<sup>\*2</sup>, 3840 × 2160p (24, 30 Hz), 1080p (30, 60 Hz), 1080/24p, 1080i (60 Hz), 720p (30, 60 Hz), 720/24p, 480p, 480i, PC Formats
- <sup>\*1</sup> 3840 × 2160p is displayed when 4096 × 2160p is input
- <sup>\*2</sup> HDMI IN 2 / 3 only.

#### Video (3D) (3D compatible models only):

- Frame Packing: 1080p (30 Hz), 1080/24p, 1080i (60 Hz), 720p (30, 60 Hz), 720/24p
- Side-by-Side: 1080p (60 Hz), 1080/24p, 1080i (60 Hz), 720p (60 Hz)
- Over-Under: 1080p (30, 60 Hz), 1080/24p, 1080i (60 Hz), 720p (60 Hz)

- Audio: 5.1 channel linear PCM: 32, 44.1, 48, 88.2, 96, 176.4 and 192 kHz, 16, 20 and 24 bits, Dolby Digital, Dolby Digital Plus and DTS

ARC (Audio Return Channel) (HDMI IN 3 only)  
(Two channel linear PCM, Dolby Digital,  
Dolby Digital Plus, DTS)

Ⓖ DIGITAL AUDIO OUT (OPTICAL)

Digital optical jack (Two channel linear PCM,  
Dolby Digital, DTS)

AUDIO OUT Ⓖ / Ⓗ (Stereo mini jack)

Headphone, Audio output, Subwoofer

• 1, • 2, SS 3

USB port 1 and 2 support High Speed USB  
(USB2.0).

USB port 3 supports Super Speed USB  
(USB3.0).

LAN

10BASE-T/100BASE-TX connector

(Connection speed may differ depending on  
the network environment. 10BASE-T/  
100BASE-TX communication rate and  
communication quality are not guaranteed  
for this TV.)

Home Network

Refer to the Help Guide for supported  
formats.

REMOTE

RS-232C, mini jack

This jack is for receiving the external control  
signal.

IR BLASTER \*1

IR Blaster Cable input (mini jack)

Others

Optional accessories

Wireless Subwoofer: SWF-BR100

Active 3D Glasses: TDG-BT500A



Operating temperature

32 °F – 104 °F (0 °C – 40 °C)

Power and others

Power requirement

110 V - 240 V AC, 50/60 Hz (U.S.A./Canada)

120 V AC, 60 Hz)

Power consumption

in use

767 W

in standby\*2

Less than 0.50 W with 120 V AC and less than

0.50 W with 240 V AC

Screen size (inches measured diagonally)  
(Approx.)

99.5 inches (100" class)

Display resolution

3,840 dots (horizontal) × 2,160 lines (vertical)

Output Rating

USB 1

5 V, ---, 500 mA MAX

USB 2

5 V, ---, 500 mA MAX

USB 3

5 V, ---, 900 mA MAX

Dimensions (Approx.)

TV with Floor Stand

2,258 × 1,718 × 675 mm /

89 × 67 <sup>3</sup>/<sub>4</sub> × 26 <sup>5</sup>/<sub>8</sub> inch

TV with Table-Top Stand

2,258 × 1,393 × 504 mm /

89 × 54 <sup>7</sup>/<sub>8</sub> × 19 <sup>7</sup>/<sub>8</sub> inches

TV without Floor Stand / Table-Top Stand

2,258 × 1,303 × 98 mm /

89 × 51 <sup>3</sup>/<sub>8</sub> × 3 <sup>7</sup>/<sub>8</sub> inch

wall-mount hole pattern

600 × 400 mm

wall-mount screw size (mm)

M8 (length: see diagram on page 16.)

Mass (Approx.)

TV with Floor Stand

132.3 kg / 291.5 lb.

TV with Table-Top Stand

144.8 kg / 319.0 lb.

TV without Floor Stand / Table-Top Stand

118.6 kg / 261.3 lb.

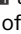
\*1 Only on limited region/country/TV model.


\*2 Standby power consumption will increase  
when your TV is connected to the network.

Note

- Optional accessories availability depends on countries/region/TV model/stock.
- Design and specifications are subject to change without notice.

## Licensing Information

- The terms HDMI and HDMI High-Definition Multimedia Interface, and the HDMI Logo are trademarks or registered trademarks of HDMI Licensing LLC in the United States and other countries.
- Manufactured under license from Dolby Laboratories. Dolby, Dolby Audio, and the double-D symbol are trademarks of Dolby Laboratories.
- “BRAVIA” and BRAVIA, S-Force, Motionflow, BRAVIA Sync, and  are trademarks or registered marks of Sony Corporation.
- Gracenote, Gracenote eyeQ, Gracenote VideoID, Gracenote Video Explore, the Gracenote logo and logotype, and the “Powered by Gracenote” logo are either registered trademarks or trademarks of Gracenote in the United States and/or other countries.
- Opera® Devices SDK from Opera Software ASA. Copyright 1995-2015 Opera Software ASA. All rights reserved.
- Wi-Fi, Wi-Fi Direct, Miracast, Wi-Fi Protected Setup and Wi-Fi CERTIFIED Logo are trademarks or registered trademarks of Wi-Fi Alliance.
- For DTS patents, see <http://patents.dts.com>. Manufactured under license from DTS, Inc. DTS, the Symbol, & DTS and the Symbol together are registered trademarks, and DTS Digital Surround is a trademark of DTS, Inc. © DTS, Inc. All Rights Reserved.
- QuickSet and the QuickSet logo are trademarks of Universal Electronics Inc. Portions © UEI 2000-2015
- The Bluetooth® word mark and logos are registered trademarks owned by Bluetooth SIG, Inc. and any use of such marks by Sony Corporation is under license. Other trademarks and trade names are those of their respective owners.
- TUXERA is a registered trademark of Tuxera Inc. in the US and other countries.

- USB-IF SuperSpeed USB Trident logo is a registered trademark of USB Implementers Forum, Inc. 



# 4K

Actual resolution:  
3840 x 2160 pixels.



# Table des matières

AVIS IMPORTANT.....	2
Consignes de sécurité .....	3
Précautions .....	6
Pièces et commandes .....	8
Commandes et indicateurs .....	8
Utilisation de la télécommande .....	9
Description des pièces de la télécommande .....	9
Fixer le Meuble pour téléviseur .....	12
Regrouper les câbles .....	14
Schéma de connexion .....	16
Fixer le téléviseur au mur .....	18
Démonter le support de table du téléviseur.....	19
Installation du téléviseur contre un mur ou dans un endroit fermé .....	20
Dépannage .....	21
Problèmes et solutions .....	21
Spécifications .....	23

## Introduction

Merci d'avoir choisi ce produit Sony.  
Avant de faire fonctionner le téléviseur, lisez attentivement ce manuel et conservez-le pour toute référence ultérieure.

### Remarque

- Les images et illustrations utilisées dans le Manuel de configuration et ce manuel sont fournies uniquement à titre de référence et peuvent différer de l'aspect réel du produit.

La taille d'image visualisable de la classe 100" est de 99,5 pouces (252,8 cm) (mesurée en diagonale).

## Emplacement du Manuel de configuration

Le Manuel de configuration est posé sur le rembourrage à l'intérieur du carton du téléviseur.

## Aide/Manuel d'aide

La fonction d'Aide offre une grande quantité d'informations au sujet de votre téléviseur. Pour utiliser la fonction d'Aide, appuyez sur la touche **HELP** de la télécommande. Vous pouvez trouver des articles et les thèmes du guide de dépannage depuis la liste ou la recherche par mot-clé. Sélectionnez [Manuel d'aide] dans le Menu d'aide pour consulter le manuel. Si vous connectez votre téléviseur à Internet, la fonction d'Aide et les informations seront mises à jour.

## Emplacement de l'étiquette d'identification

Les étiquettes indiquant le numéro de modèle et les caractéristiques nominales de l'alimentation du téléviseur se trouvent à l'arrière du téléviseur. Vous pouvez les trouver en retirant le couvercle des terminaux (TC3).

## AVIS IMPORTANT

### Fiche d'identification

Les numéros de modèle et de série sont indiqués à l'arrière et sur le côté du téléviseur. Inscrivez ces numéros dans les espaces ci-dessous. Faites-y référence chaque fois que vous appelez votre détaillant Sony au sujet de ce téléviseur.

N° de modèle

\_\_\_\_\_

N° de série

\_\_\_\_\_



## ATTENTION

Pour prévenir les chocs électriques et l'exposition des broches, n'utilisez pas cette fiche CA avec une rallonge, une prise de courant ou une autre sortie de courant, sauf si les broches peuvent être insérées jusqu'au fond.

- Faites uniquement fonctionner le téléviseur sur un courant de 110 V - 240 V CA (États-Unis/Canada 120 V CA)

### (Modèles compatibles 3D uniquement)

- Certaines personnes peuvent ressentir de l'inconfort (tel que de la fatigue oculaire, fatigue ou nausée) pendant le visionnement d'images vidéo 3D ou de jeux en 3D stéréoscopique. Sony recommande à tous les utilisateurs de prendre régulièrement des pauses pendant le visionnement d'images vidéo 3D ou les parties de jeux en 3D stéréoscopique. La durée et la fréquence des pauses nécessaires varient d'une personne à l'autre. C'est à vous de décider ce qui vous convient le mieux. En cas d'inconfort, cessez de visionner des images vidéo 3D ou de jouer à des jeux en 3D stéréoscopique jusqu'à ce que les symptômes disparaissent; consultez un médecin si vous pensez que cela est nécessaire. Consultez également (i) le mode d'emploi de tout autre appareil ou support média utilisé avec votre téléviseur et (ii) notre site Web (<http://www.sony.ca/support>) pour obtenir les renseignements les plus à jour. La vision des jeunes enfants (en particulier ceux de moins de 6 ans) est en plein développement. Consultez votre médecin (tel qu'un pédiatre ou ophtalmologiste) avant de permettre aux jeunes enfants de visionner des images vidéo 3D ou jouer à des jeux en 3D stéréoscopique. Les adultes doivent surveiller les jeunes enfants pour s'assurer qu'ils suivent les recommandations ci-dessus.
- N'utilisez pas ou ne laissez pas les Lunettes 3D, ou la pile près d'un feu ou dans des endroits où la température est élevée, soit à la lumière directe du soleil ou dans des véhicules stationnés au soleil.

## Remarque

Ce téléviseur comporte un démodulateur QAM qui devrait vous permettre de recevoir une programmation numérique décodée de câblodistribution par le biais d'un service d'abonnement auprès d'un câblodistributeur. La disponibilité d'une programmation télévisée numérique par câblodistribution dans votre région dépend du type de programmation et de signal fournis par votre câblodistributeur.

## Consignes de sécurité

### Déclaration de conformité

Appellation commerciale : SONY  
Modèle : XBR-100Z9D  
Partie responsable: Sony Electronics Inc.  
Adresse : 16535 Via Esprillo,  
San Diego, CA 92127 U.S.A.  
Numéro de téléphone : 858-942-2230

Cet appareil est conforme à la section 15 des règlements de la FCC. L'utilisation de ce dispositif est autorisée seulement aux conditions suivantes :

- (1) Cet appareil ne doit pas provoquer des interférences gênantes; et (2) cet appareil doit pouvoir accepter les interférences reçues, y compris les interférences risquant de déclencher des opérations non désirées.

## Information relative aux règlements de la FCC

Cet appareil a été soumis à l'essai et s'est avéré conforme aux limites pour un appareil numérique de classe B, conformément à la section 15 des règlements de la FCC. Ces normes sont conçues pour assurer une protection raisonnable contre les interférences nuisibles dans un environnement résidentiel. Cet appareil génère, utilise et peut émettre de l'énergie radioélectrique et, s'il n'est pas installé ou utilisé selon les directives, peut causer des interférences nuisibles aux communications radio. Cependant, il n'existe aucune garantie que des interférences ne se produiront pas dans une installation particulière. Si ce matériel est source d'interférences nuisibles pour la réception radio ou télévisée, ce qui peut être déterminé en mettant l'appareil hors tension, puis sous tension, il est recommandé de tenter d'éliminer ces interférences en appliquant l'une ou plusieurs des mesures suivantes :

- Réorienter ou déplacer l'antenne réceptrice.
- Éloigner l'appareil du récepteur.
- Brancher l'appareil dans une prise d'un circuit différent de celui qui alimente le récepteur.
- Consulter le détaillant ou un technicien radio ou télévision qualifié pour obtenir de l'aide.

Conformément aux règlements de la FCC, vous êtes averti que tous les changements ou modifications non expressément approuvés dans ce manuel pourraient annuler tous vos droits relatifs à l'utilisation de ce produit.

## Sécurité et réglementation

Le présent appareil est conforme aux CNR d'Industrie Canada applicables aux appareils radio exempts de licence. L'exploitation est autorisée aux deux conditions suivantes : 1) l'appareil ne doit pas produire de brouillage; 2) l'appareil doit accepter tout brouillage radioélectrique subi, même si le brouillage est susceptible d'en compromettre le fonctionnement.

Pour empêcher que cet appareil cause du brouillage au service faisant l'objet d'une licence, il doit être utilisé à l'intérieur et devrait être placé loin des fenêtres afin de fournir un écran de blindage maximal. Si le matériel (ou son antenne d'émission) est installé à l'extérieur, il doit faire l'objet d'une licence.

Utilisez uniquement le LAN sans fil à l'intérieur lorsqu'il est utilisé avec l'IEEE 802.11a (5 GHz).

Cet équipement est conforme aux limites d'exposition aux rayonnements énoncées pour un environnement non contrôlé et respecte les règles les radioélectriques (RF) de la FCC lignes directrices d'exposition et d'exposition aux fréquences radioélectriques (RF) CNR-102 de l'IC. Cet équipement doit être installé et utilisé en gardant une distance de 20 cm ou plus entre le radiateur et le corps humain (à l'exception des extrémités : mains, poignets, pieds et chevilles).

Cet appareil et sa ou ses antennes ne doivent pas être placés à proximité d'autres antennes ou émetteurs ni fonctionner avec eux, sauf autorisation spéciale.

## AVERTISSEMENT

Ne jamais poser le téléviseur à un endroit instable. Le téléviseur pourrait tomber, entraînant de graves blessures voir un décès. De nombreuses blessures, en particulier chez les enfants, peuvent être évitées en prenant de simples précautions, par exemple :

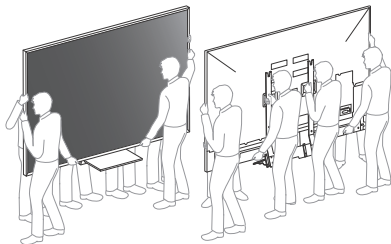
- Utiliser des meubles ou supports recommandés par le fabricant du téléviseur.
- N'utiliser que des meubles capables de soutenir en toute sécurité le téléviseur.
- S'assurer que le téléviseur ne surplombe pas le bord du meuble support.
- Ne pas placer le téléviseur sur un meuble haut (tel qu'un placard ou une bibliothèque) sans fixer le meuble et le téléviseur à un support adapté.
- Ne pas poser le téléviseur sur du tissu ou autre matière placée par exemple entre le téléviseur et le meuble support.
- Informer les enfants des dangers liés à l'escalade des meubles en vue d'atteindre le téléviseur ou les commandes du téléviseur.

Si vous conservez et remplacez votre téléviseur actuel, les mêmes précautions doivent être prises.

## Avant d'installer votre téléviseur

Avec certains modèles de téléviseur, le support de table n'est pas fixé afin de vous permettre de monter directement le téléviseur au mur. Reportez-vous à la page 18 (Fixer le téléviseur au mur) si vous souhaitez installer ce téléviseur au mur. Si vous ne comptez pas installer le téléviseur au mur, vous devez installer le support de table. Vous aurez besoin d'un tournevis Phillips (non fourni) et des vis fournies pour compléter cette tâche. Recherchez le Manuel de configuration. Tenez compte de ce qui suit pendant l'installation du téléviseur :

- Débrancher tous les câbles avant de transporter le téléviseur.
- Transporter le téléviseur avec le nombre de personnes approprié; un téléviseur de grande taille doit être transporté par au moins six personnes.
- Lors du transport du téléviseur, le bon emplacement des mains est très important pour votre sécurité, ainsi que pour éviter de causer des dommages.



- Assurez-vous que le téléviseur est entouré d'une ventilation adéquate; reportez-vous à la page 20.
- Pour obtenir une qualité d'image optimale, n'exposez pas l'écran à la lumière directe d'une lampe ou du soleil.
- Évitez d'installer le téléviseur dans une pièce dont le sol et les murs sont d'un matériau réfléchissant.
- Évitez de déplacer le téléviseur d'un endroit froid à un endroit chaud. Un changement soudain de température peut provoquer de la condensation. Ce phénomène peut affecter la qualité de l'image et/ou des couleurs affichées par le téléviseur. Si cela se produit, laissez la condensation s'évaporer complètement avant de mettre le téléviseur sous tension.

## Fixer le téléviseur



Sony recommande fortement de prendre les mesures nécessaires pour prévenir le basculement du téléviseur. Des téléviseurs qui ne sont pas fixés solidement peuvent basculer et entraîner des dommages matériels, des blessures corporelles graves ou même mortelles.

## Prévenir le basculement du téléviseur

- Fixer solidement le téléviseur à un mur et/ou à un support.
- Ne pas laisser les enfants jouer ou monter sur les meubles et les téléviseurs.
- Éviter de placer ou d'accrocher des objets sur le téléviseur.
- Ne jamais installer le téléviseur sur :
  - des surfaces glissantes, instables et/ou inégales.
  - un meuble qui peut facilement servir d'escalier, comme une commode à tiroirs.
- Installer le téléviseur où il ne peut pas être tiré, poussé ou renversé.
- Acheminer les cordons d'alimentation CA et les cordons connecteurs afin qu'ils ne soient pas accessibles aux enfants curieux.

## Mesures recommandées pour fixer solidement le téléviseur

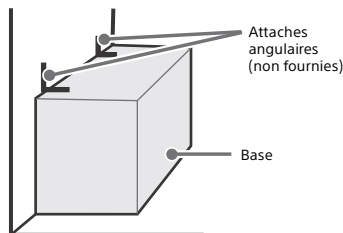
Tenez compte des mesures suivantes lorsque vous fixez votre téléviseur à une base (non fournie).

### Support de table

#### 1 Fixer solidement la base du téléviseur.

S'assurer que la base peut supporter adéquatement le poids du téléviseur. Utiliser deux attaches angulaires (non fournies) pour fixer solidement la base. Avec chaque attache angulaire, utiliser la quincaillerie appropriée pour :

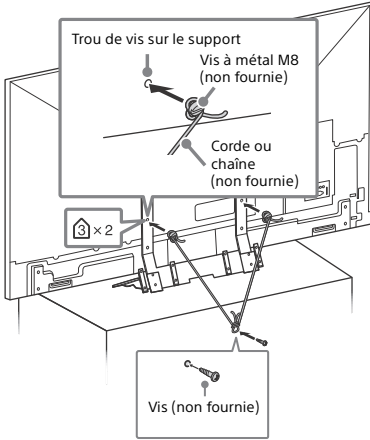
- Fixer un côté de l'attache angulaire au poteau mural.
- Fixer l'autre côté à la base.



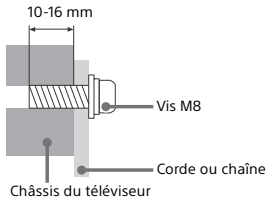
## 2 Fixer solidement le téléviseur à la base.

Utiliser la quincaillerie optionnelle mentionnée (non fournie) :

- Vis à métal M8 (vissée sur le couvercle arrière du téléviseur).
- Une vis ou l'équivalent (la fixer à la base)
- Une corde ou une chaîne (assez solide pour supporter le poids du téléviseur). Vous assurer qu'il n'y a pas de mou excessif dans la corde ou la chaîne.

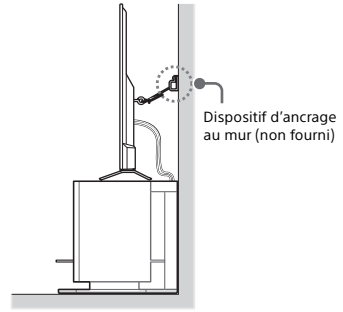
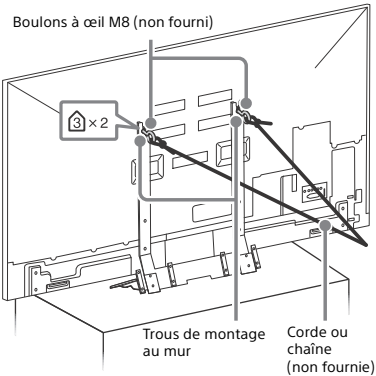


La longueur de la vis à métal M8 diffère selon le diamètre de la corde ou de la chaîne. Reportez-vous à l'illustration ci-dessous.



## 3 Fixer le téléviseur au mur avec des boulons, un dispositif d'ancrage au mur et une chaîne (ou une corde).

Boulons à œil M8 (non fournis)

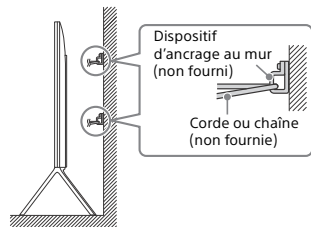
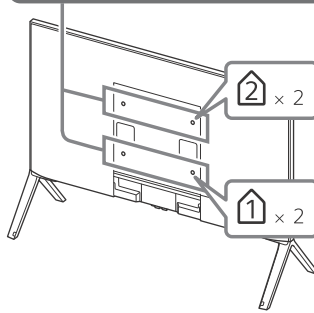
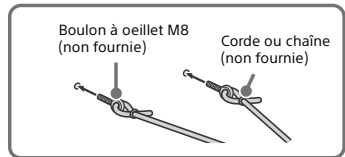


## Meuble pour téléviseur

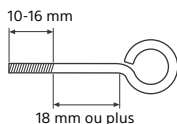
### 1 Fixer solidement le téléviseur au mur.

Utiliser la quincaillerie optionnelle mentionnée (non fournie) :

- Boulon à oeillet M8 (vissé sur le couvercle arrière du téléviseur).
- Une vis ou l'équivalent (la fixer à la base).
- Une corde ou une chaîne (assez solide pour supporter le poids du téléviseur). Vous assurer qu'il n'y a pas de mou excessif dans la corde ou la chaîne.



Veillez consulter l'illustration ci-dessous pour connaître la longueur du boulon à œil M8.



### Remarque

- À la livraison de votre téléviseur, selon le modèle, les vis sont fixées à l'arrière du téléviseur. (Elles sont fixées dans les orifices servant au montage mural.) Veillez à retirer les 2 vis du haut avant de fixer le téléviseur à un mur.
- Fixer solidement le téléviseur à la base sans fixer le téléviseur et la base au mur fournit une protection minimale contre le basculement du téléviseur. Pour une protection supplémentaire, suivre toutes les trois mesures recommandées ci-dessus.

## Précautions

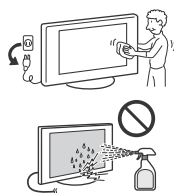
### Entretien de votre téléviseur BRAVIA

La sécurité est très importante. La sécurité étant de première importance, veuillez lire la documentation de sécurité (Feuillet de consignes de sécurité) fournie séparément et vous y conformer.

Débranchez le téléviseur et les appareils raccordés de la prise de courant avant de nettoyer le téléviseur.

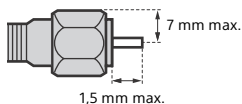
- Essayez l'écran ACL délicatement à l'aide d'un chiffon doux.
- Les taches tenaces peuvent être enlevées à l'aide d'un chiffon légèrement imbibé d'une solution de savon doux et d'eau tiède.
- Si vous utilisez un chiffon prétraité avec un produit chimique, suivez bien les directives indiquées sur l'emballage.
- Ne vaporisez jamais d'eau ou de détergent directement sur le téléviseur. Le liquide pourrait couler au bas de l'écran ou sur les parties extérieures, voire pénétrer dans le téléviseur et l'endommager.
- N'utilisez jamais de solvants corrosifs tels qu'un diluant, de l'alcool ou du benzène pour nettoyer l'appareil.
- Attendez que l'humidité laissée par le nettoyage se soit évaporée avant de rebrancher le téléviseur dans la prise de courant.
- Ne touchez pas au téléviseur si votre main est couverte d'une substance chimique quelconque, telle que de la crème pour les mains ou un écran solaire.

Le téléviseur doit aussi être placé sur une surface stable afin de prévenir son basculement (consultez la page 4). Si vous avez des enfants ou des animaux domestiques, vérifiez régulièrement que le téléviseur est fixé solidement pour une utilisation en toute sécurité.



### Recommandation pour une prise de type F

La partie saillante de la tige centrale du connecteur doit être de moins de 1,5 mm.



(Schéma de référence pour une prise de type F)

## Fonctionnalités de l'expérience télévision BRAVIA<sup>MD</sup> en 4K

Nous vous remercions d'avoir choisi Sony! Votre nouveau téléviseur BRAVIA<sup>MD</sup> est la clé d'une « expérience télévision en 4K ». Le présent document vous aidera à préparer votre nouveau téléviseur pour l'utilisation.

Prenez quelques instants pour compléter l'enregistrement de votre téléviseur à l'adresse suivante :

Canada : <http://www.sony.ca/fr/registration>  
États-Unis : <http://productregistration.sony.com>

## Les quatre éléments d'une expérience télévision en 4K

L'installation, la source, le son et la configuration.

### 1 Installation

Maintenant que vous avez choisi la meilleure technologie qui soit en matière de téléviseurs ACL rétro-éclairés par DEL, veillez à retirer tous les accessoires de l'emballage avant d'installer votre téléviseur.

### 2 Source

Pour faire l'expérience du niveau de détail incroyable qu'offre votre téléviseur BRAVIA, vous devez vous abonner au service de télévision haute définition.

- Obtenez un signal ou une source en haute définition (4K) en communiquant avec votre fournisseur de services HD.

- Donnez vie à la résolution époustouflante de votre téléviseur Sony Ultra HD 4K avec le Lecteur Media Sony Ultra HD 4K. (La disponibilité dépend des régions)
- Recevez des émissions en HD diffusées sur les ondes par l'intermédiaire d'une antenne de qualité HD branchée directement à l'arrière du téléviseur. Visitez le site <http://www.antennaweb.org> pour plus de renseignements sur le choix et l'installation d'une antenne.
- Découvrez tout un monde de divertissement maintenant offert en super-haute définition sur les lecteurs Blu-ray Disc<sup>MC</sup> et autres appareils HD de Sony.

### 3 Son

Complétez l'expérience haute définition avec une chaîne de cinéma maison ambiophonique BRAVIA Sync<sup>MC</sup> ou un récepteur audio-vidéo de Sony.

### 4 Configuration

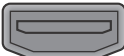




Installez votre téléviseur et raccordez vos sources de signal. Reportez-vous à la page 16 pour des exemples de schémas de connexion. Pour vous aider à obtenir la meilleure qualité d'image possible lors de votre expérience 4K, utilisez des câbles HDMI (High-Definition Multimedia Interface) de Sony.

## Pour en savoir plus sur le téléviseur 4K, visitez :

Canada : <http://www.sony.ca/fr/hdtv>  
États-Unis : <http://www.sony.com/HDTV>

Ce téléviseur affiche tous les types de format d'image en résolution de 3 840 points x 2 160 lignes.

Le tableau ci-dessous indique les formats de haute définition (HD) et de définition standard (SD) pris en charge par les entrées de votre téléviseur BRAVIA.

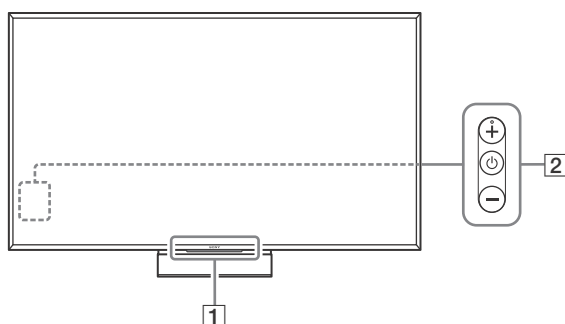
	CONNECTEUR	VIDEO	AUDIO	Formats pris en charge									
				4K <sup>*1</sup>	1080/24p/30p	1080p <sup>*1</sup>	1080i	720/24p/30p	720p <sup>*1</sup>	480p	480i	PC <sup>*2</sup>	
4K/ HD	HDMI			✓	✓	✓	✓	✓	✓	✓	✓	✓	✓
	Composant					✓	✓			✓	✓	✓	
SD	Vidéo											✓	

\*1 Pour plus de détails sur les formats pris en charge, reportez-vous à la section « Spécifications » de ce manuel.

\*2 Pour connaître les formats de signal pris en charge en provenance d'un ordinateur, reportez-vous au Manuel d'aide.

# Pièces et commandes

## Commandes et indicateurs



### 1 Capteur de télécommande\*1 / Capteur de lumière\*1 / DEL d'éclairage / Émetteur de synchronisation 3D\*1\*2

La DEL d'éclairage s'allume ou clignote en fonction de l'état du téléviseur.

- Blanc  
Lors de la mise en marche du téléviseur/l'utilisation du mode sans image/la mise à jour du logiciel, etc.
- Cyan  
Lors de la connexion sans fil avec un appareil mobile.
- Ambre  
La minuterie est réglée.

### 2 ⏻ (Alimentation) / + / -

**Lorsque le téléviseur est éteint,**

Appuyez sur ⏻ pour l'allumer.

**Lorsque le téléviseur est allumé,**

Appuyez longuement sur ⏻ pour l'éteindre.

Appuyez sur ⏻ de façon répétitive pour changer la fonction, puis appuyez sur la touche + ou - pour :

- Régler le volume
- Sélectionner le canal
- Sélectionner la source d'entrée du téléviseur

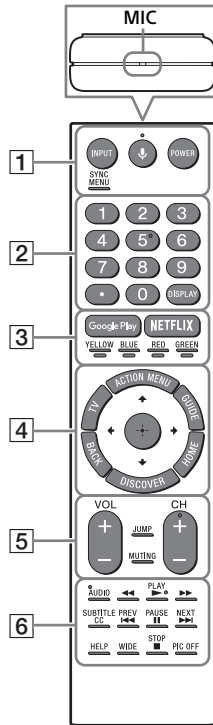
\*1 Ne placez aucun objet près du capteur.

\*2 Uniquement pour certaines régions/pays/modèles de téléviseurs.

# Utilisation de la télécommande

## Description des pièces de la télécommande

La forme de la télécommande, l'emplacement, la disponibilité et la fonction des touches de la télécommande peuvent varier selon votre région ou pays ou le modèle de téléviseur.



FR

### 1 INPUT

Permet d'afficher et de sélectionner la source d'entrée.

#### 🗣️ (Micro)

Permet d'utiliser la fonction vocale. (p. ex., recherche de divers contenus à l'aide de la voix.)

#### POWER

Permet d'allumer ou éteindre le téléviseur (mode de veille).

#### SYNC MENU

Affiche le menu BRAVIA Sync.

### 2 Touches numériques



Utilisez cette touche avec les touches 0-9 pour sélectionner des canaux numériques.

#### DISPLAY

Affiche des informations sur le canal/l'émission/l'entrée que vous regardez.

### 3 Google Play

Permet d'accéder au service « Google Play » en ligne.

### NETFLIX (Uniquement pour certaines régions/pays/modèles de téléviseurs)

Permet d'accéder au service « NETFLIX » en ligne.

### Touches de couleur

Permet d'exécuter la fonction correspondante à ce moment.

### 4 ACTION MENU

Affiche une liste de fonctions contextuelles.

### TV

- Permet de passer à un canal ou une entrée du téléviseur à partir des autres applications.
- Allumez le téléviseur pour afficher la chaîne de télévision ou l'entrée.

### GUIDE

Affiche le guide des programmes numérique.

### BACK

Permet de retourner à l'écran précédent.

### HOME

Affiche le menu d'accueil du téléviseur.

### DISCOVER

Ouvre la Barre de contenu pour rechercher un contenu.

▲/▼/◀/▶/⊕ (Sélection d'élément/ Entrer)

### 5 VOL +/- (Volume)

Permet de régler le volume.

### JUMP

Permet d'alterner entre deux canaux ou entrées. Le téléviseur alterne entre le canal ou l'entrée en cours et le dernier canal ou entrée que vous avez sélectionné.

### MUTING

Permet de couper le son. Appuyez de nouveau pour rétablir le son.

### CH +/- (Canal)

Permet de sélectionner le canal.

### 6 AUDIO

Permet de changer la langue de l'émission en cours de visionnement.



Permet de faire fonctionner les contenus média sur le téléviseur et l'appareil compatible BRAVIA Sync raccordé.

### SUBTITLE/CC

Active ou désactive les sous-titres (lorsque la fonction est disponible).

### HELP

Affiche le Menu d'aide. Le Manuel d'aide est accessible d'ici.

### WIDE

Permet de modifier le format d'écran.

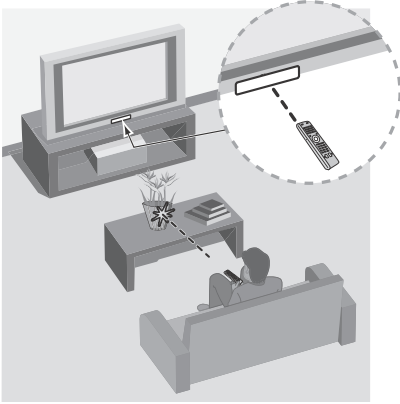
### PIC OFF

Permet de désactiver l'image tout en maintenant le son activé.



## Directives pour la télécommande IR

- Pointez la télécommande en direction du capteur infrarouge du téléviseur.
- Assurez-vous qu'aucun objet ne se trouve entre la télécommande et le capteur infrarouge.



- Les lampes fluorescentes peuvent perturber le fonctionnement de votre télécommande; le cas échéant, éteignez les lampes fluorescentes dans la pièce.
- Si vous éprouvez des difficultés avec la télécommande, réinsérez ou remplacez les piles et assurez-vous qu'elles sont correctement placées dans le logement.


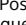
## Fixer le Meuble pour téléviseur

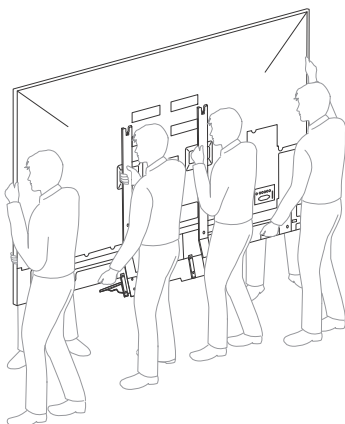
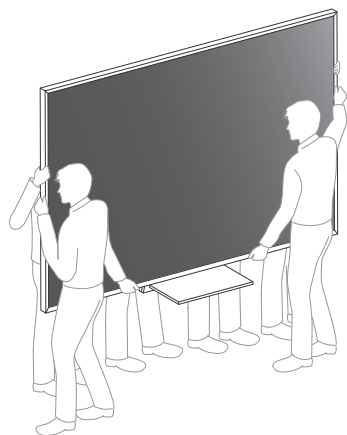
À la livraison de votre téléviseur, le Support de table est fixé au téléviseur.

### Recommandé

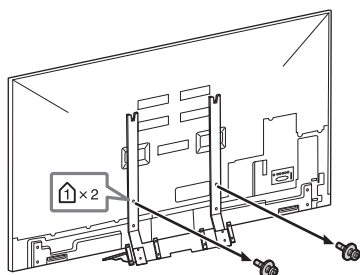
Reportez-vous aux instructions ci-dessous sur comment changer le Support de table à Meuble pour téléviseur.

#### Remarque

- N'appliquez pas de pression sur l'écran ACL ou sur le cadre entourant l'écran.
- Faites attention de ne pas pincer vos mains ou le cordon d'alimentation CA lorsque vous installez le téléviseur sur le Meuble pour le téléviseur/Support de table.
- Six personnes ou plus sont nécessaires pour effectuer cette installation.
- Appuyez sur **HOME**, puis sélectionnez  [Réglages]. Sélectionnez  [Son] → [Position du téléviseur] → [Support de table] lorsque vous utilisez le Meuble pour le téléviseur.



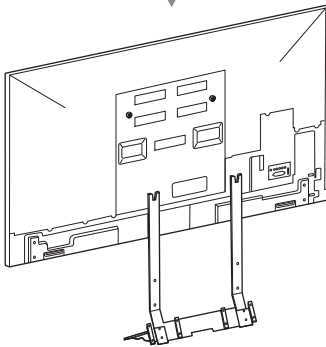
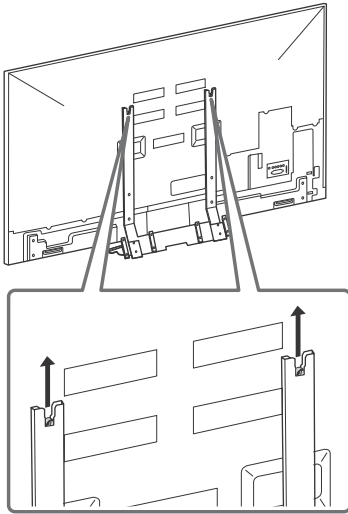
### 1 Retirez les vis du support de table.



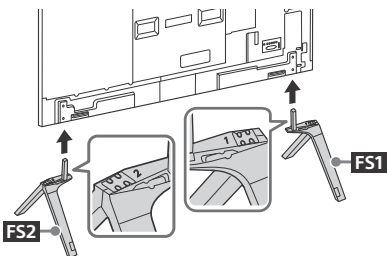
#### Remarque

- Lors du réassemblage du support de table, assurez-vous de le faire correspondre aux trous de vis.

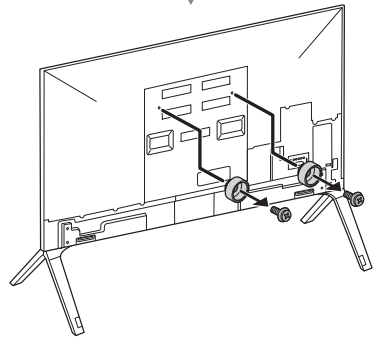
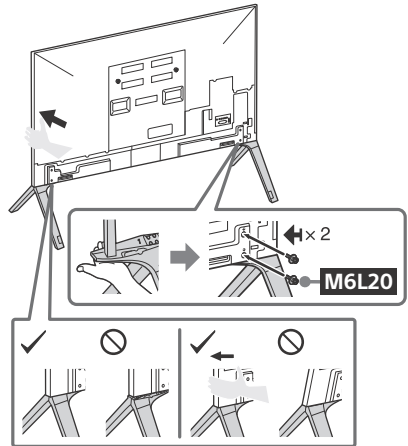
## 2 Soulevez le téléviseur.



## 3 Fixer le Meuble pour téléviseur au téléviseur.

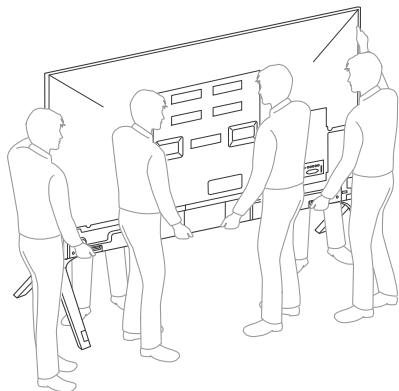


## 4 Tenez le Meuble pour téléviseur lors de sa fixation au téléviseur à l'aide des vis fournies M6L20 afin d'éviter toute chute.



### Remarque

- Si vous utilisez un tournevis électrique, réglez le couple de serrage à environ 1,5 N·m (15 kgf·cm).



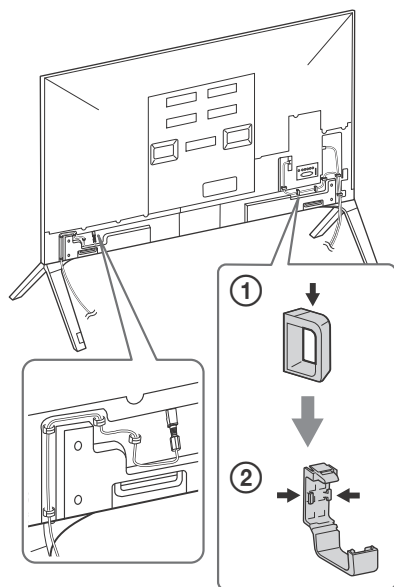
- Un téléviseur de grande taille doit être transporté par au moins six personnes.

## Regrouper les câbles

### Remarque

- Ne groupez pas le câble d'alimentation avec les autres câbles.

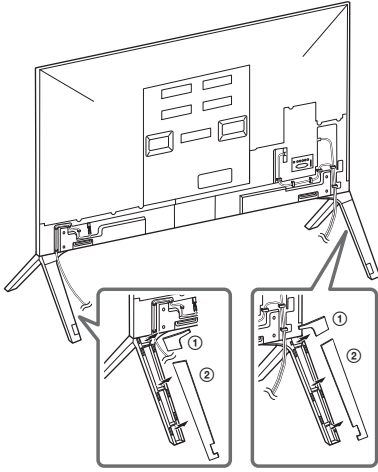
1



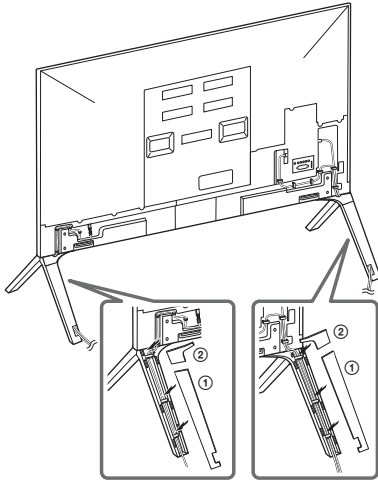
### Remarque

- Pour enlever le serre-fils du câble du téléviseur, appuyez la partie supérieure du serre-fils ①, puis pincez ② comme indiqué à l'image.

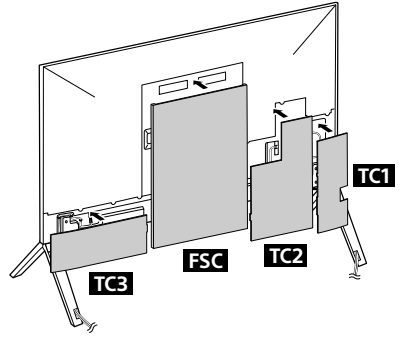
2



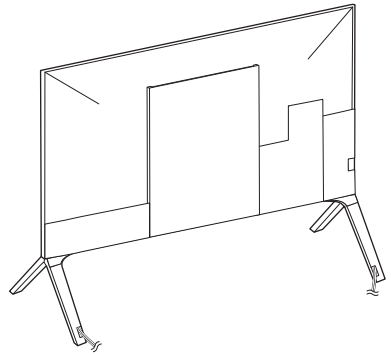
3



4



FR



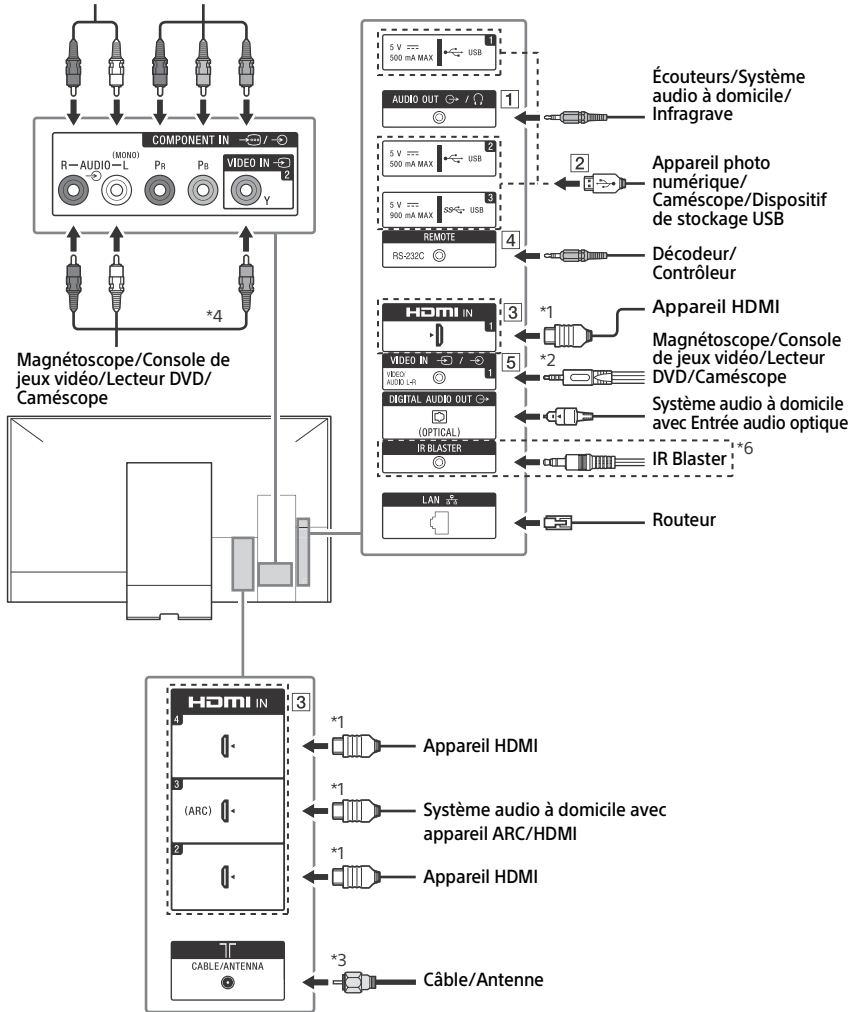
# Schéma de connexion

Pour plus d'informations sur les raccordements, reportez-vous au Manuel d'aide (page 2).

## Remarque

- Lorsque vous branchez le câble au Câble / Antenne, serrez-le à la main uniquement, car le serrage excessif de la connexion peut endommager le téléviseur.

### Lecteur DVD avec sortie composante



### 1 AUDIO OUT\*5

- Pour écouter le son du téléviseur à l'aide de l'appareil raccordé, appuyez sur **HOME**. Sélectionnez [Paramètres] → [Son] → [Écouteurs/sortie audio], puis sélectionnez l'élément souhaité.

### 2 **USB 1/2, SS USB 3**

- Le raccordement d'un appareil USB de grande capacité pourrait interférer avec les autres appareils raccordés à proximité.
- Lors du raccordement d'un appareil USB de grande capacité, effectuez le raccordement au port USB 1.

### 3 **HDMI IN 1/2/3/4**

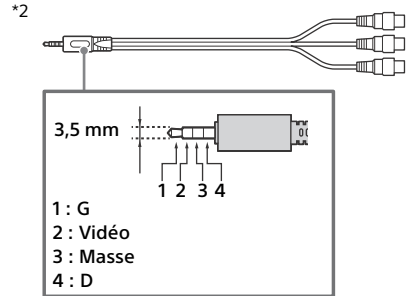
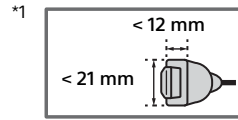
- Si vous raccordez un système audio numérique compatible avec la technologie Audio Return Channel (ARC), utilisez la prise HDMI IN 3. Sinon, vous devez effectuer une connexion supplémentaire à l'aide de la prise DIGITAL AUDIO OUT (OPTICAL).

### 4 **REMOTE RS-232C**

- Cette prise permet de recevoir le signal de commande externe. Elle permet le contrôle étendu du téléviseur à l'aide d'une liaison RS-232C via la prise RS-232C. RS-232C : Raccordez à la borne RS-232C du contrôleur domestique.
- Assurez-vous de ne pas effectuer le raccordement à un casque d'écoute ou un système audio externe.
- Si l'option [Commande RS232C] est réglée à [Oui], l'option [Réglages de BRAVIA Sync] n'est pas disponible.

### 5 **VIDEO IN 1**

- Pour un raccordement composite, utilisez le câble de rallonge analogique fourni\*6.



\*4 Lors du raccordement d'un appareil mono, utilisez la prise audio L (MONO) (prise).

\*5 Prend en charge la prise stéréo 3 broches uniquement.

\*6 Uniquement pour certaines régions/pays/modèles de téléviseurs.

## Fixer le téléviseur au mur

Le mode d'emploi de ce téléviseur montre les étapes de préparation de l'installation du téléviseur avant de l'installer au mur.

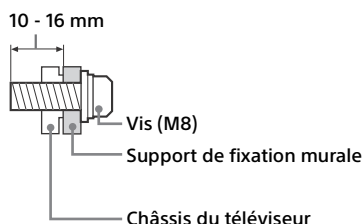
Votre téléviseur peut être installé au mur avec un support de fixation murale (non fourni) dès sa sortie de l'emballage. Il se peut que le support de table soit fixé au téléviseur, dans ce cas, vous devez d'abord démonter le support de table du téléviseur; reportez-vous à la page 19 (Démonter le support de table du téléviseur).

Préparez le téléviseur pour l'installation du support de fixation murale avant d'effectuer le raccordement des câbles.

**Pour des raisons de sécurité et de protection du produit, Sony recommande fortement que l'installation de votre téléviseur sur le mur soit effectuée par un professionnel qualifié. N'essayez pas de l'installer vous-même.**

**Veillez communiquer avec le service à la clientèle pour obtenir le support de fixation murale 6L (non fourni).**

- Suivez le guide d'instructions fourni avec le support de fixation murale pour votre modèle. Une certaine expertise est nécessaire pour l'installation de ce téléviseur, en particulier en ce qui concerne la solidité du mur en relation avec le poids de l'appareil.
- La longueur des vis pour le support de fixation murale diffère selon l'épaisseur du support de fixation murale. Reportez-vous à l'illustration ci-dessous.




- Assurez-vous de ranger les vis non utilisées et le support de table dans un endroit sûr jusqu'à ce que vous soyez prêt à fixer le support de table. Gardez les vis hors de la portée des jeunes enfants.

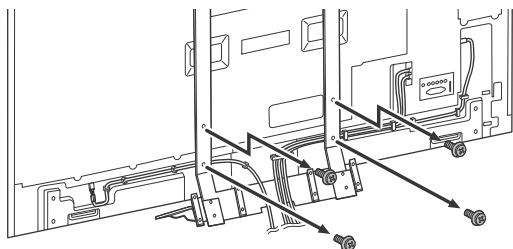
### Remarque

- Lisez le Feuille de consignes d'utilisation et de sécurité fourni pour plus de renseignements sur l'utilisation en toute sécurité.



## Démonter le support de table du téléviseur

Pour démonter le support de table du téléviseur, retirez les vis .



FR

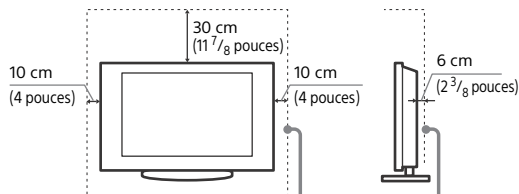
### Remarque

- N'enlevez pas le support de table pour aucune raison autre que l'installation des accessoires correspondants sur le téléviseur.
- Assurez-vous que le téléviseur est en position verticale avant de l'allumer. Pour éviter des irrégularités de l'uniformité de l'image, n'allumez pas le téléviseur avec l'écran ACL vers le bas.
- Pour fixer de nouveau le support de table, veillez à utiliser les vis (que vous avez enlevées précédemment) dans les mêmes orifices à l'arrière du téléviseur.

# Installation du téléviseur contre un mur ou dans un endroit fermé

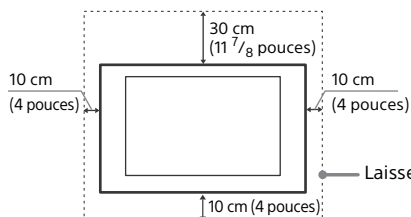
Assurez-vous que l'air circule adéquatement autour du téléviseur. Tel qu'illustré, laissez suffisamment d'espace autour du téléviseur.

## Installation sur support



Laissez au moins cet espace autour du téléviseur.

## Installation au mur

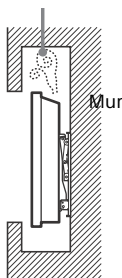
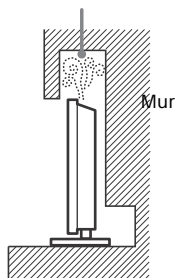


Laissez au moins cet espace autour du téléviseur.

## N'installez jamais le téléviseur de la manière suivante :

La circulation d'air est bloquée.

La circulation d'air est bloquée.

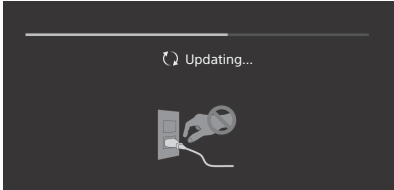


### Remarque

- Une ventilation inadéquate peut faire surchauffer le téléviseur et causer des dommages ou déclencher un incendie.

## Dépannage

Afin de maintenir à jour le logiciel de votre téléviseur, il est nécessaire de télécharger les informations de logiciel les plus récentes via le système de diffusion numérique ou Internet, pour ensuite mettre à jour le logiciel. Sélectionnez [Mettre à niveau] pour démarrer une mise à jour du logiciel. La DEL d'éclairage clignote en blanc pendant la mise à jour du logiciel. L'écran suivant avec [Updating...] (Mise à jour...) apparaîtra pendant la mise à jour du logiciel.



Ne débranchez pas le cordon d'alimentation CA pendant la mise à jour du logiciel. Sinon, la mise à jour du logiciel pourrait ne pas s'effectuer complètement, ce qui risquerait de causer un problème de fonctionnement du logiciel. Les mises à jour du logiciel peuvent prendre jusqu'à 30 minutes. Si vous ne souhaitez pas mettre à jour le logiciel automatiquement, appuyez sur **HOME** et sélectionnez [Aide] → [Mise à jour du logiciel] → [Téléchargement auto du logiciel] → [Non].

Lorsque vous branchez le téléviseur, il est possible que vous ne puissiez pas allumer le téléviseur immédiatement même si vous appuyez sur la touche de marche de la télécommande ou du téléviseur, car l'initialisation du système prend du temps. Attendez environ 1 minute, puis utilisez-le normalement. Lorsque vous allumez le téléviseur en appuyant sur la touche de marche de la télécommande ou du téléviseur, il faut un certain temps avant que la DEL d'éclairage s'éclaire et que la télécommande soit fonctionnelle.

**Lorsque la DEL d'éclairage clignote en rouge, comptez combien de fois il clignote (un intervalle de 3 secondes entre les clignotements).**

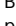
Si la LED d'éclairage clignote en rouge, réinitialisez le téléviseur en débranchant le cordon d'alimentation CA pendant deux minutes, puis allumez le téléviseur. Si le problème persiste, contactez le Service à la clientèle Sony (coordonnées indiquées sur la couverture de ce document) en indiquant le nombre de fois que la LED d'éclairage clignote en rouge (l'intervalle de temps est de 3 secondes). Débranchez le cordon d'alimentation CA puis communiquez avec le service à la clientèle de Sony.

**Lorsque la DEL d'éclairage ne clignote pas, vérifiez les éléments suivants.**

Vous pouvez également vous reporter à la section de dépannage dans le Manuel d'aide ou effectuer l'autodiagnostic en sélectionnant [Aide] → [Autodiagnostic]. Si le problème persiste, communiquez avec le service à la clientèle de Sony (coordonnées indiquées sur la couverture de ce document).

### Problèmes et solutions

**Il n'y a aucune image (l'écran est noir) et aucun son.**

- Vérifiez la connexion de câble/antenne.
- Branchez le téléviseur à l'alimentation CA, puis appuyez sur la touche  du téléviseur ou **POWER** de la télécommande.

**Impossible de syntoniser certaines émissions.**

- Vérifiez la connexion de câble/antenne.

**La télécommande ne fonctionne pas.**

- Remplacez les piles.

**Vous avez oublié le mot de passe de la fonction [Verrouillage parental (diffuseur)].**

- Entrez le code NIP 4357. Mettez le code NIP à jour en sélectionnant [Paramètres] → [Verrouillage parental (diffuseur)] → [Modif. mot de passe].

## Le téléviseur et les objets qui l'entourent deviennent chauds au toucher.

- Lorsque le téléviseur est utilisé pendant une longue période, le téléviseur et les objets qui l'entourent peuvent devenir chauds au toucher. Il ne s'agit pas d'un problème de fonctionnement du téléviseur.

## Comment réinitialiser le téléviseur à ses réglages d'usine

- Allumez le téléviseur. Vous pouvez réinitialiser le téléviseur aux réglages d'usine en appuyant sur **HOME**, puis en sélectionnant [Paramètres] → [Stockage et réinitialisation] → [Rétablir config. par défaut].

AVERTISSEMENT : La réinitialisation effacera tous vos réglages personnalisés, y compris le réglage [Verrouillage parental (diffuseur)].

- Pour plus de sécurité, assurez-vous d'effacer toutes les données à caractère personnel et informations relatives à votre compte avant de vous défaire de votre téléviseur ou de le vendre à un tiers, en procédant à la désynchronisation/désinscription, déconnexion et désactivation de tous les services de réseau et en rétablissant les paramètres d'usine du téléviseur.

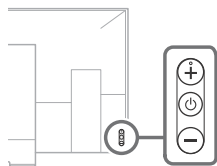
## L'audio ou la vidéo ne répond pas, l'écran est vide, ou le téléviseur ne répond pas aux touches de commande du téléviseur ni de la télécommande.

- Effectuez une simple réinitialisation du téléviseur en débranchant le cordon d'alimentation CA pendant deux minutes, puis en le rebranchant.

## Les touches , + et - ne peuvent pas être placées sur le téléviseur.

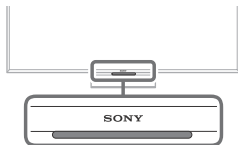
- Reportez-vous à l'illustration ci-dessous pour connaître l'emplacement des touches sur le téléviseur.

### Arrière du téléviseur



## La DEL d'éclairage s'allume.


- Si vous ne souhaitez pas que la DEL d'éclairage s'allume, vous pouvez désactiver cette dernière. Appuyez sur **HOME**, puis sélectionnez [Paramètres] → [LED d'éclairage] → [Non].



## Impossible de se connecter à un routeur sans fil par WPS (Wi-Fi Protected Setup).

- Si vous utilisez la sécurité WEP, sélectionnez [Facile] → [Wi-Fi] → [Connecter par liste de balayage]. Ensuite, sélectionnez le nom du réseau (SSID) auquel vous souhaitez vous connecter.

## Impossible de trouver le nom de réseau requis dans la configuration de réseau.

- Sélectionnez [[Entrée manuelle]] et appuyez sur  pour entrer le nom de réseau.

# Spécifications

## Système

Système de télévision

NTSC : Norme de télévision en Amérique  
ATSC (8VSB terrestre) : 8VSB conforme avec ATSC

QAM sur le câble : ANSI/SCTE 07 2000  
(n'inclut pas la fonctionnalité CableCARD)

Plages de canaux

Analogique terrestre : 2 - 69 / Numérique terrestre : 2 - 69

Câble analogique : 1 - 135 / Câble numérique : 1 - 135

Système de l'écran

Écran ACL (affichage à cristaux liquides),  
Rétroéclairage LED

Puissance des haut-parleurs

10 W + 10 W

Technologie sans fil

Protocole IEEE802.11ac/a/b/g/n  
Bluetooth version 4.1

## Connecteurs d'entrée et de sortie

CABLE/ANTENNA

Borne extérieure de 75 ohms pour entrées RF

VIDEO IN 1

Entrée vidéo/audio (mini-prise)

COMPONENT IN

YPbPr (vidéo composante) : 1080p (60 Hz),  
1080i (60 Hz), 720p (60 Hz), 480p, 480i  
Entrée Audio (prise phono)

VIDEO IN 2

Entrée Vidéo (tige phono commune avec  
entrée Y)

HDMI IN 1/2/3/4 (Prend en charge la  
résolution 4K, compatible HDCP 2.2)

Vidéo (2D) :

4096 × 2160p (60 Hz)<sup>\*1, \*2</sup>, 4096 × 2160p  
(24 Hz)<sup>\*1</sup>, 3840 × 2160p (60 Hz)<sup>\*2</sup>,  
3840 × 2160p (24, 30 Hz), 1080p (30,  
60 Hz), 1080/24p, 1080i (60 Hz), 720p (30,  
60 Hz), 720/24p, 480p, 480i, formats

Ordinateur

<sup>\*1</sup> 3840 × 2160p s'affiche lorsque

4096 × 2160p est reçu en entrée

<sup>\*2</sup> HDMI IN 2 / 3 seulement.

Vidéo (3D) (modèles compatibles 3D  
uniquement) :

Combinaison de trame : 1080p (30 Hz),  
1080/24p, 1080i (60 Hz), 720p (30, 60 Hz),  
720/24p

Côte à côte : 1080p (60 Hz), 1080/24p,  
1080i (60 Hz), 720p (60 Hz)

Superposés : 1080p (30, 60 Hz), 1080/24p,  
1080i (60 Hz), 720p (60 Hz)

Audio : 5,1 canaux lineaires PCM : 32, 44,1,  
48, 88,2, 96, 176,4 et 192 kHz, 16, 20 et 24  
bits, Dolby Digital, Dolby Digital Plus et DTS  
ARC (Audio Return Channel) (HDMI IN 3  
seulement)

(Deux canaux linéaires PCM, Dolby Digital,  
Dolby Digital Plus, DTS)

DIGITAL AUDIO OUT (OPTICAL)

Prise optique numérique (Deux canaux  
linéaires PCM, Dolby Digital, DTS)

AUDIO OUT (mini-prise stéréo)

Sortie audio, Écouteurs, Infragrave

1, 2, SS 3

Les ports USB 1 et 2 prennent en charge la  
connectivité USB haute vitesse (USB 2.0).

Le port USB 3 prend en charge la connectivité  
USB super vitesse (USB 3.0).

LAN

Connecteur 10BASE-T/100BASE-TX

(La vitesse de connexion peut varier selon  
l'environnement réseau. Le débit 10BASE-T/  
100BASE-TX et la qualité de la  
communication ne sont pas garantis pour ce  
téléviseur.)

Réseau domestique

Reportez-vous au Manuel d'aide pour  
connaître les formats pris en charge.

REMOTE

RS-232C, mini-prise

Cette prise permet de recevoir le signal de  
commande externe.

IR BLASTER <sup>\*1</sup>

Entrée du câble IR Blaster (mini-prise)

## Autres

Accessoires en option

Infragrave sans fil : SWF-BR100

Lunettes 3D actives : TDG-BT500A



Température de service

0 °C – 40 °C (32 °F – 104 °F)

## Alimentation et autres

### Alimentation

110 V - 240 V CA, 50/60 Hz (États-Unis/  
Canada 120 V CA, 60 Hz)

### Consommation d'énergie

en cours d'utilisation

767 W

en veille\*2

Moins de 0,50 W pour les modèles 120 V CA  
et moins de 0,50 W pour les modèles 240 V  
CA

Taille de l'écran (mesurée en diagonale)  
(Environ)

99,5 pouces (classe 100")

Résolution de l'écran

3 840 points (horizontal) × 2 160 lignes  
(vertical)

Puissance de sortie

USB 1

5 V, , 500 mA MAX

USB 2

5 V, , 500 mA MAX

USB 3

5 V, , 900 mA MAX

## Dimensions (Environ)

Téléviseur avec Meuble Pour Téléviseur

2 258 × 1 718 × 675 mm /  
89 × 67 <sup>3</sup>/<sub>4</sub> × 26 <sup>5</sup>/<sub>8</sub> pouces

Téléviseur avec support de table

2 258 × 1 393 × 504 mm /  
89 × 54 <sup>7</sup>/<sub>8</sub> × 19 <sup>7</sup>/<sub>8</sub> pouces

Téléviseur sans Meuble Pour téléviseur /

Support de table

2 258 × 1 303 × 98 mm /  
89 × 51 <sup>3</sup>/<sub>8</sub> × 3 <sup>7</sup>/<sub>8</sub> pouces

schéma des trous pour la fixation murale

600 × 400 mm

taille des vis de fixation murale (mm)

M8 (longueur : voir le diagramme sur  
page 18.)

## Poids (Environ)

Téléviseur avec Meuble Pour Téléviseur

132,3 kg / 291,5 lb.

Téléviseur avec support de table

144,8 kg / 319,0 lb.

Téléviseur sans Meuble Pour téléviseur /

Support de table

118,6 kg / 261,3 lb.


\*1 Uniquement pour certaines régions/pays/  
modèles de téléviseurs.

\*2 La consommation d'énergie en mode de  
veille augmente lorsque votre téléviseur est  
connecté au réseau.

### Remarque

- La disponibilité des accessoires en option dépend des pays/régions/modèles de téléviseurs/stocks.
- La conception des produits et les caractéristiques techniques peuvent changer sans préavis.

## Information de licence

- Les termes HDMI et HDMI High-Definition Multimedia Interface ainsi que le logo HDMI sont des marques de commerce ou des marques déposées de HDMI Licensing, LLC aux États-Unis et dans d'autres pays ou régions.
- Fabriqué sous licence de Dolby Laboratories.  
Dolby, Dolby Audio et le symbole double-D sont des marques de commerce de Dolby Laboratories.
- « BRAVIA » et BRAVIA, S-Force, Motionflow, BRAVIA Sync et  sont des marques de commerce ou des marques déposées de Sony Corporation.
- Les noms Gracenote, Gracenote eyeQ, Gracenote VideoID, Gracenote Video Explore, le logo Gracenote et la mention « Powered by Gracenote » sont des marques de commerce ou des marques déposées de Gracenote aux États-Unis et/ou dans d'autres pays.
- Opera® Devices SDK de Opera Software ASA. Copyright 1995-2015 Opera Software ASA. Tous droits réservés.
- Wi-Fi, Wi-Fi Direct, Miracast, Wi-Fi Protected Setup et le logo Wi-Fi CERTIFIED sont des marques de commerce ou des marques déposées de la Wi-Fi Alliance.
- Pour les brevets DTS, voir <http://patents.dts.com>. Fabriqué sous licence de DTS, Inc.  
DTS, le symbole, et DTS et son symbole ensemble sont des marques déposées, et DTS Digital Surround est une marque déposée de DTS, Inc. © DTS, Inc. Tous droits réservés.

- QuickSet et le logo QuickSet sont des marques de commerce d'Universal Electronics Inc. Portions © UEI 2000-2015
- Le symbole et les logos Bluetooth® sont des marques déposées de Bluetooth SIG, Inc. ; toute utilisation de ces marques par Sony Corporation est soumise à une licence. Les autres marques déposées et appellations commerciales sont la propriété de leurs détenteurs respectifs.
- TUXERA est une marque déposée de Tuxera Inc. aux États-Unis et dans d'autres pays.
- Le logo USB-IF SuperSpeed USB Trident est une marque déposée d'USB Implementers Forum, Inc. 

**QUICKSET**®

 **Bluetooth**®

**TUXERA**

YOUR DATA - WHERE YOU WANT IT

**4K**

Résolution réelle:  
3 840 x 2 160 pixels.

**HDMI**™

HIGH-DEFINITION MULTIMEDIA INTERFACE

  
**DOLBY**  
**AUDIO**

 **gracenote.**

 **Opera**

 **dts**®  
Digital Surround

FR

## For Your Convenience

<b>Online Registration:</b>	<p>Be sure to register your TV.</p> <p><b>United States</b>     <a href="http://productregistration.sony.com">http://productregistration.sony.com</a>  <b>Canada</b>             <a href="http://www.sony.ca/registration">http://www.sony.ca/registration</a></p>
<b>Software Updates:</b>	<p>Your TV is capable of receiving software updates. For the latest information about software updates for your TV, visit:</p> <p><b>United States</b>     <a href="http://www.sony.com/tvsupport">http://www.sony.com/tvsupport</a>  <b>Canada</b>             <a href="http://www.sony.ca/support">http://www.sony.ca/support</a></p> <p>NOTE: If your TV is connected to the Internet, you can check for software updates by selecting [Help], [System software update] and then [Check for a system software update].</p>

## Pour votre commodité

<b>Enregistrement en ligne :</b>	<p>Faire en sorte de compléter l'enregistrement de votre téléviseur.</p> <p><b>Canada</b>             <a href="http://www.sony.ca/fr/registration">http://www.sony.ca/fr/registration</a>  <b>États-Unis</b>         <a href="http://productregistration.sony.com">http://productregistration.sony.com</a></p>
<b>Mise à jour du logiciel :</b>	<p>Votre téléviseur est en mesure de recevoir des mises à jour logicielles. Pour obtenir les renseignements les plus à jour sur les mises à jour du logiciel de votre téléviseur, visitez :</p> <p><b>Canada</b>             <a href="http://support.sony.ca/fr">http://support.sony.ca/fr</a>  <b>États-Unis</b>         <a href="http://www.sony.com/tvsupport">http://www.sony.com/tvsupport</a></p> <p>REMARQUE : Si votre téléviseur est connecté à Internet, vous pouvez vérifier les mises à jour du logiciel en sélectionnant [Aide], [Mise à jour du logiciel], puis [Vérifier les mises à jour du logiciel].</p>

