

HT-S400/SC40/SD40

SA-S400/SC40/SD40

SERVICE MANUAL

DISCLAIMER: USE AT OWN RISK.

SONY AND ITS AFFILIATES ARE NOT LIABLE FOR ANY DAMAGE OR INJURY CAUSED TO ANY DIGITAL ELECTRONIC EQUIPMENT, PERSON, OR PROPERTY, WHICH OCCURS DUE TO USE OF THE TOOLS, PARTS, DOCUMENTATION, OR OTHER MATERIALS HEREIN PROVIDED, WHETHER FOR REPAIR, DIAGNOSIS, MAINTENANCE, MODIFICATION, OR OTHERWISE, INCLUDING BUT NOT LIMITED TO: ANY INDIRECT, INCIDENTAL, SPECIAL, OR CONSEQUENTIAL DAMAGES; ANY LOSS OF DATA, PRIVACY OR PROFITS; OR ANY INABILITY TO USE, OR REDUCED FUNCTIONALITY OF, THE DIGITAL ELECTRONIC EQUIPMENT. PLEASE READ ALL INSTRUCTIONS IN THIS MANUAL BEFORE PROCEEDING. PLEASE FOLLOW ALL STEPS IN THE ORDER IN WHICH THEY ARE DESCRIBED. IF YOU DO NOT HAVE ALL TOOLS AND PARTS AVAILABLE TO YOU, OR ARE NOT COMFORTABLE PERFORMING THE REPAIRS DESCRIBED HEREIN, DO NOT PROCEED. FAILURE TO FOLLOW THESE INSTRUCTIONS, OR USE THE PROPER TOOLS AND PARTS, MAY DAMAGE YOUR PRODUCT, LEAD TO PERSONAL INJURY OR CAUSE PROPERTY DAMAGE.

Note:

Make sure that the your PC used for repair is not infected with a computer virus before using it.

HT-S400/SC40/SD40

SA-S400/SC40/SD40

SERVICE MANUAL

US Model



Photo: SA-S400

- All of the units included in the HT-S400/SC40/SD40 (Bar speaker, Subwoofer, Remote control) are required to confirming operation of this unit. Check in advance that you have all of the units and accessories.

COMPONENT MODEL NAME

	HT-S400	HT-SC40	HT-SD40
Bar Speaker (Active Speaker System)	SA-S400	SA-SC40	SA-SD40
Subwoofer (Active Subwoofer)	SA-WS400	SA-WSC40	SA-WSD40

- Please refer to service manual separately issued for Subwoofer.

SPECIFICATIONS

Amplifier section

U.S. models:

POWER OUTPUT AND TOTAL HARMONIC DISTORTION: (FTC)

Front L + Front R:

With 4 ohms loads, both channels driven, from 200 - 20,000 Hz: rated 20 W per channel minimum RMS power, with no more than 1% total harmonic distortion from 250 mW to rated output.

POWER OUTPUT (reference)

Front L/Front R speaker: 100 W (per channel at 4 ohms, 1 kHz)

Canadian models:

POWER OUTPUT (rated)

Front L + Front R: 60 W + 60 W (at 4 ohms, 1 kHz, 1% THD)

POWER OUTPUT (reference)

Front L/Front R speaker: 100 W (per channel at 4 ohms, 1 kHz)

Input

TV IN (OPTICAL)

Output

HDMI OUT (TV (ARC))

HDMI section

Connector

Type A (19 pin)

USB section

UPDATE port:

Type A (For software update only)

BLUETOOTH section

Communication system

BLUETOOTH Specification version 5.0

Output

BLUETOOTH Specification Power Class 1

Maximum communication range

Line of sight approx. 25 m (82 ft)¹⁾

Maximum number of devices to be registered

Mobile device: 9 devices

Sony TV: 1 device (SA-S400)

Frequency band

2.4 GHz band²⁾ (2.4000 GHz - 2.4835 GHz)

Modulation method

FHSS (Freq Hopping Spread Spectrum)

Compatible BLUETOOTH profiles³⁾

A2DP (Advanced Audio Distribution Profile)

AVRCP (Audio Video Remote Control Profile)

Supported Codec³⁾

SBC⁴⁾

Transmission range (A2DP)

20 Hz - 20,000 Hz (Sampling frequency 32 kHz, 44.1 kHz, 48 kHz)

¹⁾ The actual range will vary depending on factors such as obstacles between devices, magnetic fields around a microwave oven, static electricity, cordless phone use, reception sensitivity, the operating system, software applications, etc.

²⁾ BLUETOOTH standard profiles indicate the purpose of BLUETOOTH communication between devices.

³⁾ Codec: Audio signal compression and conversion format

⁴⁾ Abbreviation for Subband Codec

Front L/Front R speaker section

Speaker system

2 speaker system

Speaker

52 mm x 100 mm (2 1/8 in x 4 in) cone type, 4 ohms

General

Power requirements

120 V AC, 60 Hz

Power consumption

On: 35 W

Standby mode: 0.5 W or less (Power Saving mode)

(When Control for HDMI function and BLUETOOTH standby mode are set to off)

Standby mode: 2 W or less*

(When Control for HDMI function and BLUETOOTH standby mode are set to on)

* The speaker system will automatically enter Power Saving mode when there is no HDMI connection and no BLUETOOTH pairing history.

Dimensions* (approx.) (w/h/d)

900 mm x 64 mm x 88 mm (35 1/2 in x 2 5/8 in x 3 1/2 in)

* Not Including projection portion

Mass (approx.)

2.4 kg (5 lb 5 oz)

Wireless Transmitter Section

Frequency band

2.4 GHz (2.404 GHz - 2.476 GHz)

Modulation method

GFSK

Supplied Accessories

- Remote control (1)
- R03 (size AAA) battery (2)
- WALL MOUNT TEMPLATE (1)
- Optical digital cable (1) (HT-S400/SD40)
- HDMI cable (1) (HT-SC40)
- AC power cord (mains lead) (2)
- Startup Guide
- Operating Instructions

Design and specifications are subject to change without notice.

HT-S400/SC40/SD40
SOUND BAR
 SA-S400/SC40/SD40
ACTIVE SPEAKER SYSTEM

HT-S400/SC40/SD40**Copyrights and Trademarks**

This speaker system incorporates Dolby® Digital.

* Manufactured under license from Dolby Laboratories. Dolby, Dolby Audio, and the double-D symbol are trademarks of Dolby Laboratories Licensing Corporation.

The BLUETOOTH® word mark and logos are registered trademarks owned by Bluetooth SIG, Inc. and any use of such marks by Sony Group Corporation is under license. Other trademarks and trade names are those of their respective owners.

The terms HDMI™, HDMI High-Definition Multimedia Interface, and the HDMI Logo are trademarks or registered trademarks of HDMI Licensing Administrator, Inc.

“BRAVIA” logo is a trademark of Sony Corporation.

All other trademarks are trademarks of their respective owners.



<https://www.sony.net/>

SAFETY CHECK-OUT

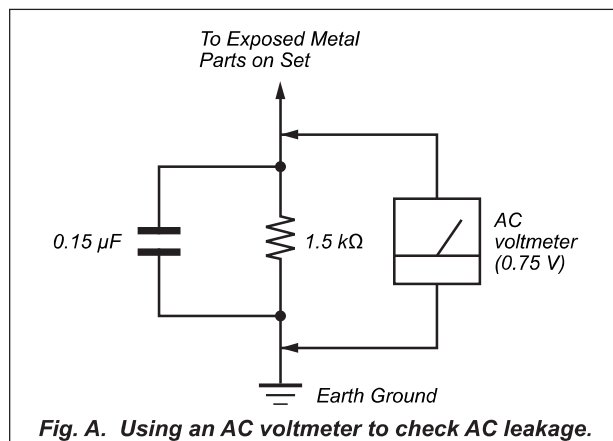
After correcting the original service problem, perform the following safety check before releasing the set to the customer:

Check the antenna terminals, metal trim, “metallized” knobs, screws, and all other exposed metal parts for AC leakage. Check leakage as described below.

LEAKAGE TEST

The AC leakage from any exposed metal part to earth ground and from all exposed metal parts to any exposed metal part having a return to chassis, must not exceed 0.5 mA (500 microamperes.). Leakage current can be measured by any one of three methods.

1. A commercial leakage tester, such as the Simpson 229 or RCA WT-540A. Follow the manufacturers’ instructions to use these instruments.
2. A battery-operated AC milliammeter. The Data Precision 245 digital multimeter is suitable for this job.
3. Measuring the voltage drop across a resistor by means of a VOM or battery-operated AC voltmeter. The “limit” indication is 0.75 V, so analog meters must have an accurate low-voltage scale. The Simpson 250 and Sanwa SH-63Trd are examples of a passive VOM that is suitable. Nearly all battery operated digital multimeters that have a 2 V AC range are suitable. (See Fig. A)

**TABLE OF CONTENTS**

1. SERVICING NOTES	4
2. DISASSEMBLY	
2-1. Disassembly Flow	10
2-2. Top Panel Block, Bottom Cabinet Block	11
2-3. BT Module	12
2-4. RF Module	13
2-5. OLED Board	14
2-6. IR-RP Board	15
2-7. POWER Board-1	16
2-8. POWER Board-2	17
2-9. FFC Cable Assy, MAIN Board Block-1	18
2-10. MAIN Board Block-2	19
2-11. MAIN Board	20
2-12. TOUCH KEY Board, Top Panel Assy	21
2-13. Grille Assy	22
2-14. SPK Unit (Front Speaker)	23
2-15. Service Position	24
3. TROUBLESHOOTING	25
4. EXPLODED VIEWS	
4-1. Top Panel, Foot Section	29
4-2. Module, Board Section	30
4-3. MAIN Board, Grille Section	31
4-4. Speaker, Bottom Cabinet Section	32
5. ACCESSORIES	33

NOTES ON CHIP COMPONENT REPLACEMENT

- Never reuse a disconnected chip component.
- Notice that the minus side of a tantalum capacitor may be damaged by heat.

SAFETY-RELATED COMPONENT WARNING!

COMPONENTS IDENTIFIED BY MARK Δ OR DOTTED LINE WITH MARK Δ ON THE SCHEMATIC DIAGRAMS AND IN THE PARTS LIST ARE CRITICAL TO SAFE OPERATION. REPLACE THESE COMPONENTS WITH SONY PARTS WHOSE PART NUMBERS APPEAR AS SHOWN IN THIS MANUAL OR IN SUPPLEMENTS PUBLISHED BY SONY.

SECTION 1 SERVICING NOTES

The **SERVICING NOTES** contains important information for servicing. Be sure to read this section before repairing the unit.

UNLEADED SOLDER

Boards requiring use of unleaded solder are printed with the lead-free mark (LF) indicating the solder contains no lead.

(Caution: Some printed circuit boards may not come printed with the lead free mark)

: LEAD FREE MARK

Unleaded solder has the following characteristics.

- Unleaded solder melts at a temperature about 40 °C higher than ordinary solder.
Ordinary soldering irons can be used but the iron tip has to be applied to the solder joint for a slightly longer time.
Soldering irons using a temperature regulator should be set to about 350 °C.
Caution: The printed pattern (copper foil) may peel away if the heated tip is applied for too long, so be careful!
- Strong viscosity
Unleaded solder is more viscous (sticky, less prone to flow) than ordinary solder so use caution not to let solder bridges occur such as on IC pins, etc.
- Usable with ordinary solder
It is best to use only unleaded solder but unleaded solder may also be added to ordinary solder.

NOTE OF REPLACING THE FUSE

The fuse is or could be in the neutral. When a fuse is being replaced, the main plug shall be disconnected from the AC outlet to prevent electric shock.

ADVANCE PREPARATION WHEN CONFIRMING OPERATION

All of the units included in the HT-S400/SC40/SD40 (Bar speaker, Subwoofer, Remote control) are required to confirming operation of this unit. Check in advance that you have all of the units and accessories.

DISCHARGE PROCESSING METHOD

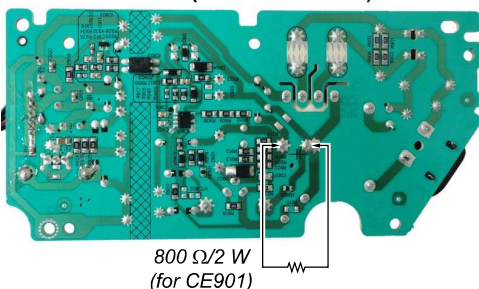
When disassembling after checking the operation of this unit, for the electric shock prevention, perform the discharge processing by connecting the resistor at both ends of the specified capacitor with referring to the figure below.

Note: Be sure to discharge using a resistor of 800 Ω or higher.

– POWER Board (Component Side) –



– POWER Board (Conductor Side) –



NOTE OF PERFORMING THE OPERATION CHECK IN THE STATE THAT HEATSINK IS REMOVED

When performing the operation check in the state that bar speaker is disassembled, it is possible to perform the operation check in the state that heatsink is removed from MAIN board.

However, in that case, set the volume to low level and perform the work in the short time so as a few minutes.

When it is necessary to work in the middle level volume or more, or a few minutes or more, be sure to perform in the state that heatsink is installed to the MAIN board.

– MAIN Board (Side A) –



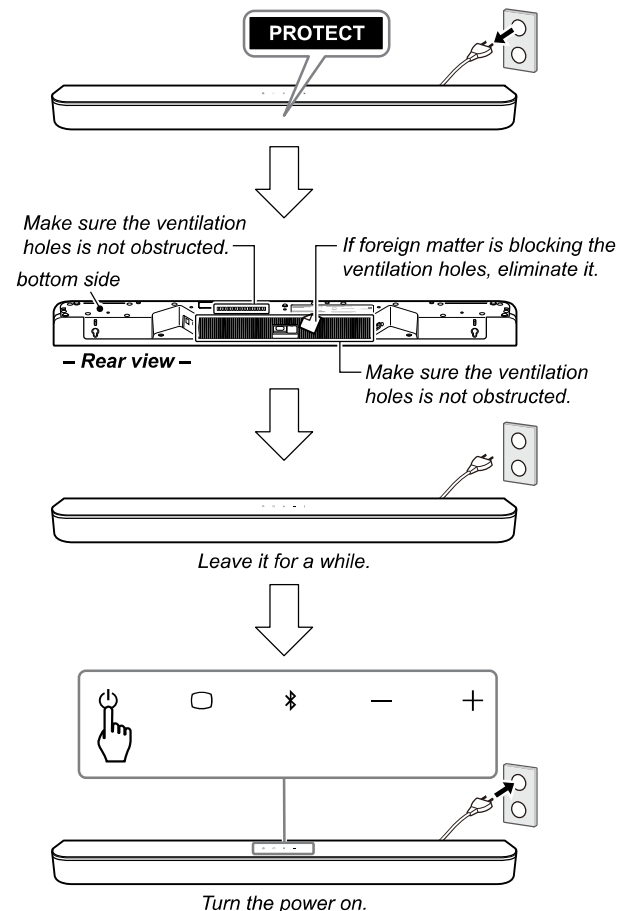
ABOUT THE “PROTECT” DISPLAY

When the “PROTECT” is scrolled in the front panel display of the bar speaker, the protection feature is activated, it is turned the power off after about 5 seconds automatically.

In that case, unplug the AC power cord from the AC outlet, make sure nothing is obstructing the ventilation holes on the rear side, and leave it for a while.

Then, insert the AC power cord into the AC outlet and touch the [⏻] button to turn the power on.

If the above method does not recover, refer to “6. “PROTECT” is displayed on the front panel display” of “3. TROUBLESHOOTING” on page 28.

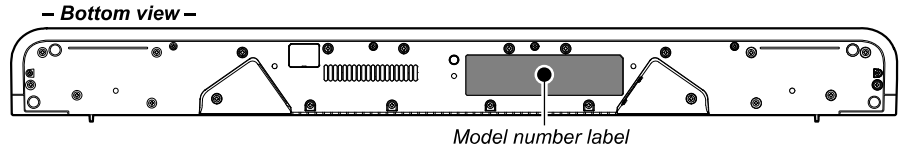


HT-S400/SC40/SD40

MODEL IDENTIFICATION

When distinguishing the destination, refer to the model number label pasted on the bottom side.

Note: The contents of model number label might be changed in the midway of production.



Model number label	
HT-S400 SA-S400	<div style="border: 1px solid black; padding: 5px;"> <p>SONY MODEL: SA-S400 SYSTEM: HT-S400 ACTIVE SPEAKER SYSTEM 120 V ~ 60 Hz 35 W USB : 5 V ~ 500 mA</p> <p>THIS DEVICE COMPLIES WITH PART 68 OF THE FCC RULES. OPERATION IS SUBJECT TO THE FOLLOWING TWO CONDITIONS: (1) THIS DEVICE MAY NOT CAUSE HARMFUL INTERFERENCE, AND (2) THIS DEVICE MUST ACCEPT ANY INTERFERENCE RECEIVED, INCLUDING INTERFERENCE THAT MAY CAUSE UNDESIRABLE OPERATION. CAN ICES-5 (NMB)-5</p> <p>LISTED E500144</p> <p>FCC ID : ARKAS400 IC : 4099-SAS400 Contains/FCC ID : A4099-WE86535</p> <p>MADE IN CHINA</p> </div> <p style="text-align: center;">or</p> <div style="border: 1px solid black; padding: 5px;"> <p>SONY MODEL: SA-S400 SYSTEM: HT-S400 ACTIVE SPEAKER SYSTEM 120 V ~ 60 Hz 35 W USB : 5 V ~ 500 mA</p> <p>THIS DEVICE COMPLIES WITH PART 68 OF THE FCC RULES. OPERATION IS SUBJECT TO THE FOLLOWING TWO CONDITIONS: (1) THIS DEVICE MAY NOT CAUSE HARMFUL INTERFERENCE, AND (2) THIS DEVICE MUST ACCEPT ANY INTERFERENCE RECEIVED, INCLUDING INTERFERENCE THAT MAY CAUSE UNDESIRABLE OPERATION. CAN ICES-5 (NMB)-5</p> <p>LISTED E500144</p> <p>FCC ID : ARKAS400 IC : 4099-SAS400 Contains/FCC ID : A4099-WE86535</p> <p>MADE IN VIETNAM</p> </div>
HT-SC40 SA-SC40	<div style="border: 1px solid black; padding: 5px;"> <p>SONY MODEL: SA-SC40 SYSTEM: HT-SC40 ACTIVE SPEAKER SYSTEM 120 V ~ 60 Hz 35 W USB : 5 V ~ 500 mA</p> <p>THIS DEVICE COMPLIES WITH PART 68 OF THE FCC RULES. OPERATION IS SUBJECT TO THE FOLLOWING TWO CONDITIONS: (1) THIS DEVICE MAY NOT CAUSE HARMFUL INTERFERENCE, AND (2) THIS DEVICE MUST ACCEPT ANY INTERFERENCE RECEIVED, INCLUDING INTERFERENCE THAT MAY CAUSE UNDESIRABLE OPERATION. CAN ICES-5 (NMB)-5</p> <p>LISTED E500144</p> <p>FCC ID : ARKAS400 IC : 4099-SAS400 Contains/FCC ID : A4099-WE86535</p> <p>MADE IN CHINA</p> </div> <p style="text-align: center;">or</p> <div style="border: 1px solid black; padding: 5px;"> <p>SONY MODEL: SA-SC40 SYSTEM: HT-SC40 ACTIVE SPEAKER SYSTEM 120 V ~ 60 Hz 35 W USB : 5 V ~ 500 mA</p> <p>THIS DEVICE COMPLIES WITH PART 68 OF THE FCC RULES. OPERATION IS SUBJECT TO THE FOLLOWING TWO CONDITIONS: (1) THIS DEVICE MAY NOT CAUSE HARMFUL INTERFERENCE, AND (2) THIS DEVICE MUST ACCEPT ANY INTERFERENCE RECEIVED, INCLUDING INTERFERENCE THAT MAY CAUSE UNDESIRABLE OPERATION. CAN ICES-5 (NMB)-5</p> <p>LISTED E500144</p> <p>FCC ID : ARKAS400 IC : 4099-SAS400 Contains/FCC ID : A4099-WE86535</p> <p>MADE IN VIETNAM</p> </div>
HT-SD40 SA-SD40	<div style="border: 1px solid black; padding: 5px;"> <p>SONY MODEL: SA-SD40 SYSTEM: HT-SD40 ACTIVE SPEAKER SYSTEM 120 V ~ 60 Hz 35 W USB : 5 V ~ 500 mA</p> <p>THIS DEVICE COMPLIES WITH PART 68 OF THE FCC RULES. OPERATION IS SUBJECT TO THE FOLLOWING TWO CONDITIONS: (1) THIS DEVICE MAY NOT CAUSE HARMFUL INTERFERENCE, AND (2) THIS DEVICE MUST ACCEPT ANY INTERFERENCE RECEIVED, INCLUDING INTERFERENCE THAT MAY CAUSE UNDESIRABLE OPERATION. CAN ICES-5 (NMB)-5</p> <p>LISTED E500144</p> <p>FCC ID : ARKAS400 IC : 4099-SAS400 Contains/FCC ID : A4099-WE86535</p> <p>MADE IN CHINA</p> </div> <p style="text-align: center;">or</p> <div style="border: 1px solid black; padding: 5px;"> <p>SONY MODEL: SA-SD40 SYSTEM: HT-SD40 ACTIVE SPEAKER SYSTEM 120 V ~ 60 Hz 35 W USB : 5 V ~ 500 mA</p> <p>THIS DEVICE COMPLIES WITH PART 68 OF THE FCC RULES. OPERATION IS SUBJECT TO THE FOLLOWING TWO CONDITIONS: (1) THIS DEVICE MAY NOT CAUSE HARMFUL INTERFERENCE, AND (2) THIS DEVICE MUST ACCEPT ANY INTERFERENCE RECEIVED, INCLUDING INTERFERENCE THAT MAY CAUSE UNDESIRABLE OPERATION. CAN ICES-5 (NMB)-5</p> <p>LISTED E500144</p> <p>FCC ID : ARKAS400 IC : 4099-SAS400 Contains/FCC ID : A4099-WE86535</p> <p>MADE IN VIETNAM</p> </div>

The model number label on the left figure indicates that it is HT-S400/SA-S400 for US. If the model number label other than the left figure is pasted, it is HT-S400/SA-S400 with a destination other than US.

The model number label on the left figure indicates that it is HT-SC40/SA-SC40 for US.

The model number label on the left figure indicates that it is HT-SD40/SA-SD40 for US. If the model number label other than the left figure is pasted, it is HT-SD40/SA-SD40 with a destination other than US.

HT-S400/SC40/SD40

IMPORTANT NOTE OF REPLACING THE BT MODULE

When the BT module is replaced with a new part, be sure to perform the following works.

1. Perform the BLUETOOTH connection check (Refer to “BLUETOOTH CONNECTION CHECKING METHOD” on the right)
2. Perform the reset (Refer to “RESET METHOD” on the below)

In addition, refer to the operating instructions and help guide supplied to this unit, and check the general operation.

RESET METHOD

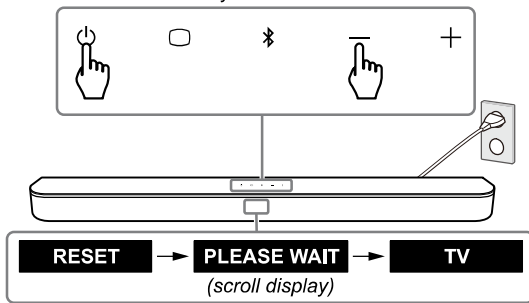
When bar speaker does not operate properly or it has performed the BLUETOOTH connection check etc., perform the reset according to the following procedure.

Note: When performing the reset, all settings return to the factory defaults.

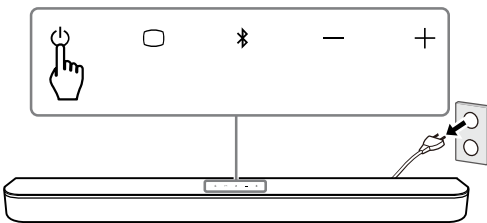
Reset Procedure:

1. With the power has turned on, touch the two buttons of the [⏻] and [-] on the bar speaker simultaneously for about 5 seconds or more, and check that “RESET” is displayed on the front panel display.

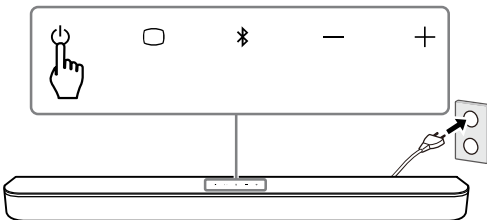
Touch simultaneously for about 5 seconds or more.



2. After touching the [⏻] button on the bar speaker to turn the power off, unplug the AC power cord from the AC outlet.



3. Insert the AC power cord into the AC outlet, and touch the [⏻] button on the bar speaker to turn the power on.



BLUETOOTH CONNECTION CHECKING METHOD

When the BT module is replaced with a new part, check the BLUETOOTH connection according to the following procedure.

Note 1: After checking of BLUETOOTH connection, be sure to refer “RESET METHOD” on the left and delete the pairing information.

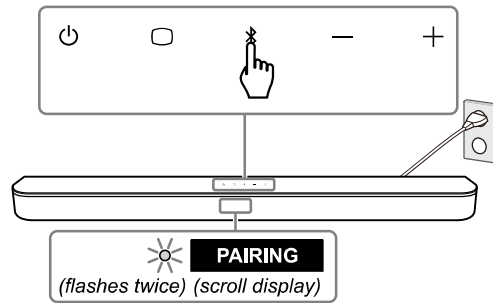
Preparation:

- Devices with BLUETOOTH function (smartphone or music player etc.)

BLUETOOTH Connection Procedure:

1. With the power has turned on, touch the [⌘] button on the bar speaker for about 2 seconds or more. Then, check that “PAIRING” is displayed on the front panel display and the BLUETOOTH indicator on the bar speaker flashes twice repeatedly in blue. (Pairing mode is started)

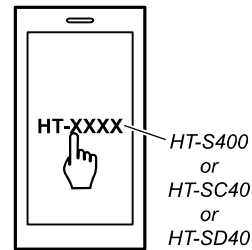
Touch for about 2 seconds or more.



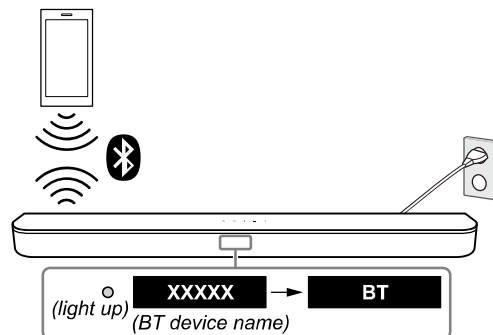
2. Operate the device with BLUETOOTH function to select the “HT-S400”, “HT-SC40” or “HT-SD40”, and perform the pairing.

Note 2: For the pairing operation method of the device with BLUETOOTH function, refer to the instruction manual of device with BLUETOOTH function.

Note 3: If a passcode is requested, input “0000”.



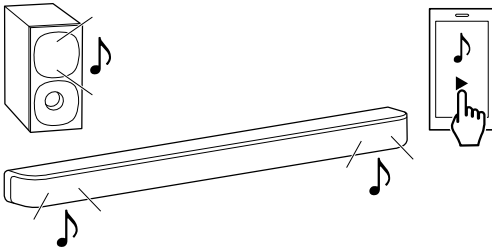
3. Check that the BLUETOOTH indicator on the bar speaker lights up in blue and “BT” is displayed on the front panel display, and the BLUETOOTH connection is established between the device with BLUETOOTH function and HT-S400, HT-SC40 or HT-SD40.



– Continued on next page –

HT-S400/SC40/SD40

4. Operate the device with BLUETOOTH function to playback the music, and check that the sound is output normally from each speaker of HT-S400, HT-SC40 or HT-SD40.
After checking, operate the device with BLUETOOTH function to stop the music playback.



5. Refer to “RESET METHOD” on page 6, delete the pairing information of bar speaker, and complete the check of BLUETOOTH connection.

NOTE OF REPLACING THE RF MODULE

When the RF module of bar speaker or the RF module of subwoofer is replaced with a new part, the wireless connection (link) of the bar speaker and subwoofer will be disconnected. Make the wireless connection the bar speaker and subwoofer according to the following procedure.

Note: If the bar speaker and subwoofer cannot be wireless connection after the repair is completed, refer to “3. TROUBLESHOOTING” on page 25.

1. About wireless connection

Turn on the power of the bar speaker and subwoofer, and when the power indicator of the subwoofer lights up in green, it will automatically connect wirelessly. If it cannot make a wireless connection automatically, refer to the manual link method below and make a wireless connection.

2. Manual link method

If the bar speaker and subwoofer cannot automatically connect wirelessly, perform the manual link in the procedure below.

Manual link procedure:

1. Touch the two buttons of the [⌘] and [+] on the bar speaker simultaneously for about 5 seconds or more, and “SECURE LINK” is displayed on the front panel display of the bar speaker, then check that “LINK” is flashed.

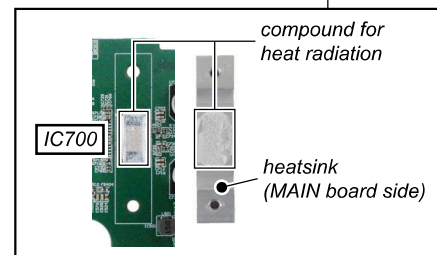
Note 1: When canceling the manual link, touch the two buttons of the [⌘] and [+] on the bar speaker simultaneously for about 5 seconds or more again.

2. Press the [LINK] button on the subwoofer, the manual link starts, check that the power indicator of the subwoofer flashes in amber.
3. When “DONE” is displayed on the front panel display of the bar speaker, the manual link is completed, and the power indicator of the subwoofer lights up in amber.

Note 2: If “ERROR” is displayed on the front panel display of the bar speaker, the connection of the bar speaker and subwoofer has not been established. Perform the operation from step 1 again.

ABOUT COMPOUND FOR HEAT RADIATION

The compound for heat radiation is applied to the touching portion between the IC700 on the MAIN board and the heatsink. When the heatsink is removed, be careful not to touch the compound for heat radiation.

– MAIN Board (Side A) –

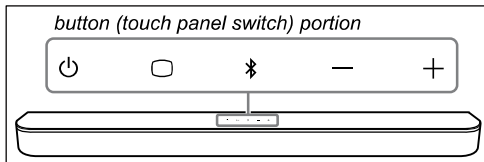
HT-S400/SC40/SD40

MALFUNCTION PREVENTION OF THE BUTTON (TOUCH PANEL SWITCH)

There are buttons (touch panel switch) on the top side of bar speaker. If it check the operation while an object is placed on the button portion, or check the operation with the button portion facing down to the floor etc., it might malfunction.

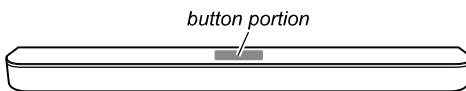
When checking the operation, make sure that the operation check with nothing touching status the button portion.

Also, if performing the operation check in the status that the top side facing down, set the stand etc. to the position that avoids the button portion as shown in the figure below, and perform the operation check with the button portion separated from the floor.



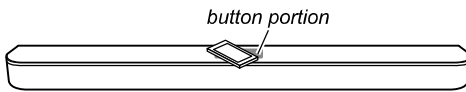
OK

The status where nothing touching the button portion.



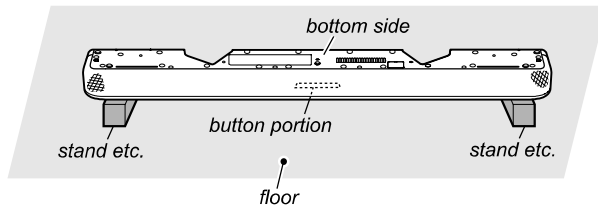
NG

There is touching object on the button portion.



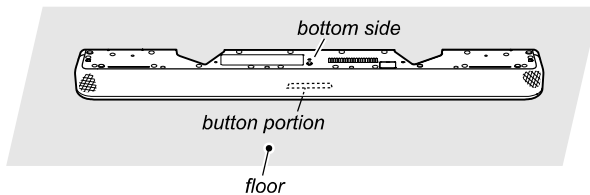
OK

The button portion is not touching status with the floor.



NG

The button portion is touching status with the floor.

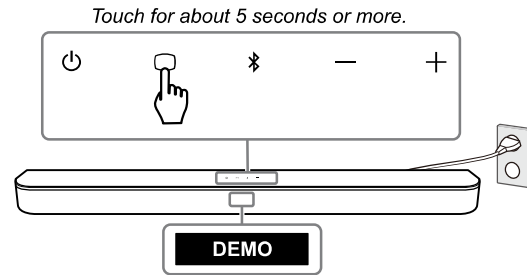


BUILT-IN DEMONSTRATION MUSIC

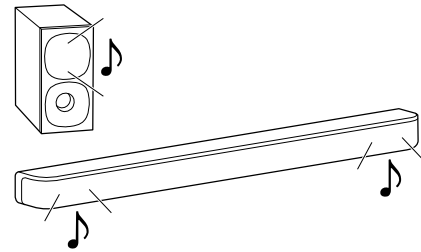
If the input sources contain very little bass sound components, such as in a TV broadcast, the subwoofer sound may be difficult to hear. In that case, playback the built-in demonstration music according to the following procedure, and check that the sound is output from the subwoofer.

Playback procedure:

1. With the power has turned on, touch the [□] button on the bar speaker for about 5 seconds or more, playback the built-in demonstration music.
(When playback start, "DEMO" is displayed on the front panel display)

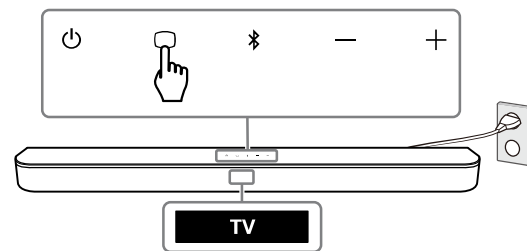


2. Check that the sound is output from the bar speaker and subwoofer.



3. Touch the [□] button on the bar speaker to release the built-in demonstration music mode.
(This unit change to the TV input state)

Note: When the built-in demonstration music playback is finished, the built-in demonstration music mode will be released automatically.

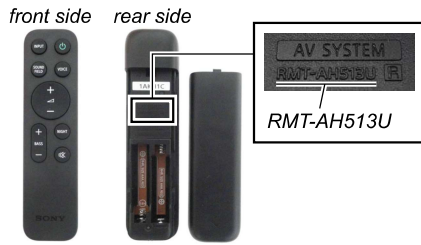


HT-S400/SC40/SD40

TYPE NAME OF REMOTE CONTROL

The type name (RMT-AH513U) of remote control supplied in this unit is engraved on the rear side of remote control.

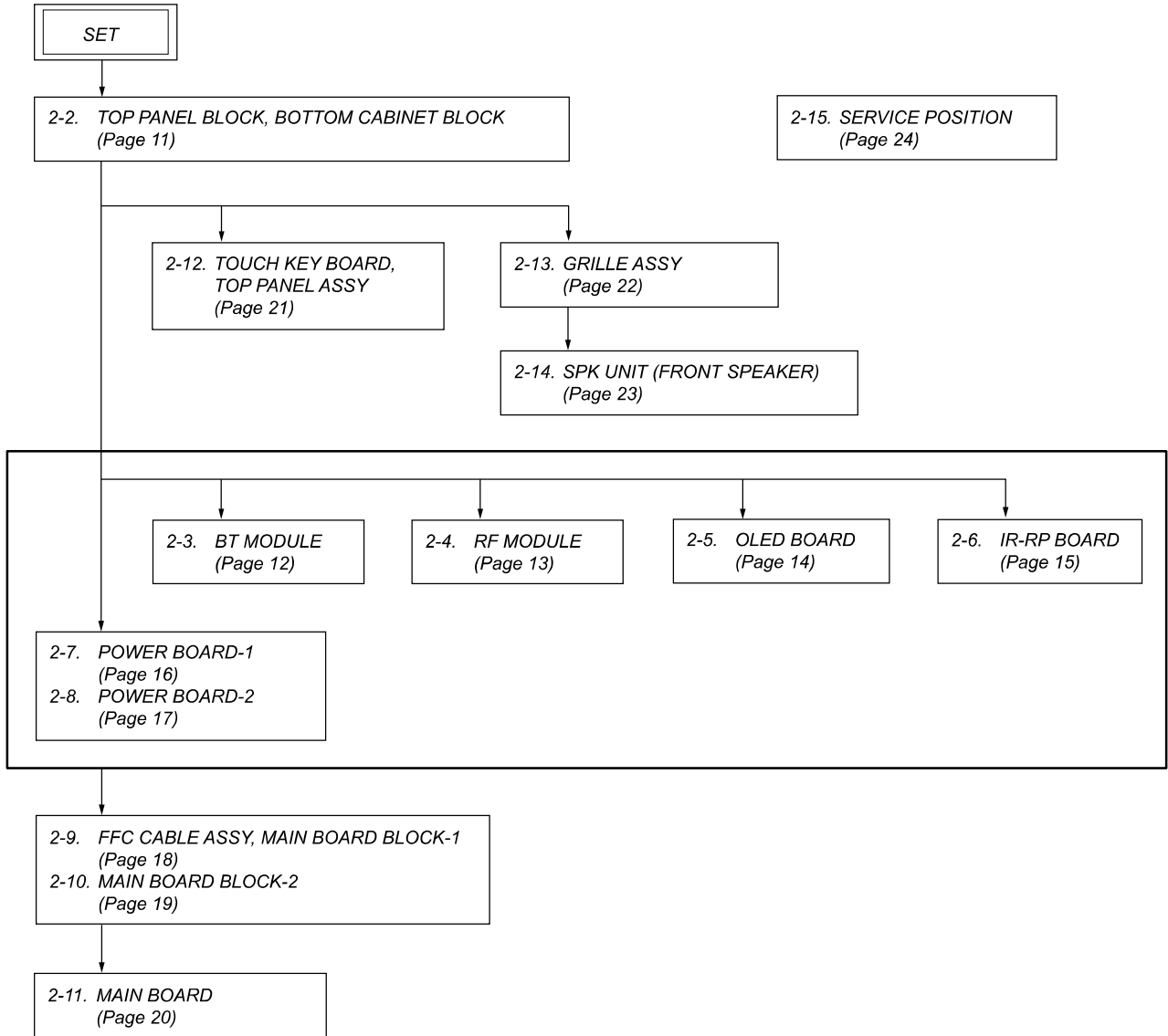
When checking the type name of remote control, remove the battery lid on the rear side and check the type name.



SECTION 2 DISASSEMBLY

- This set can be disassembled in the order shown below.

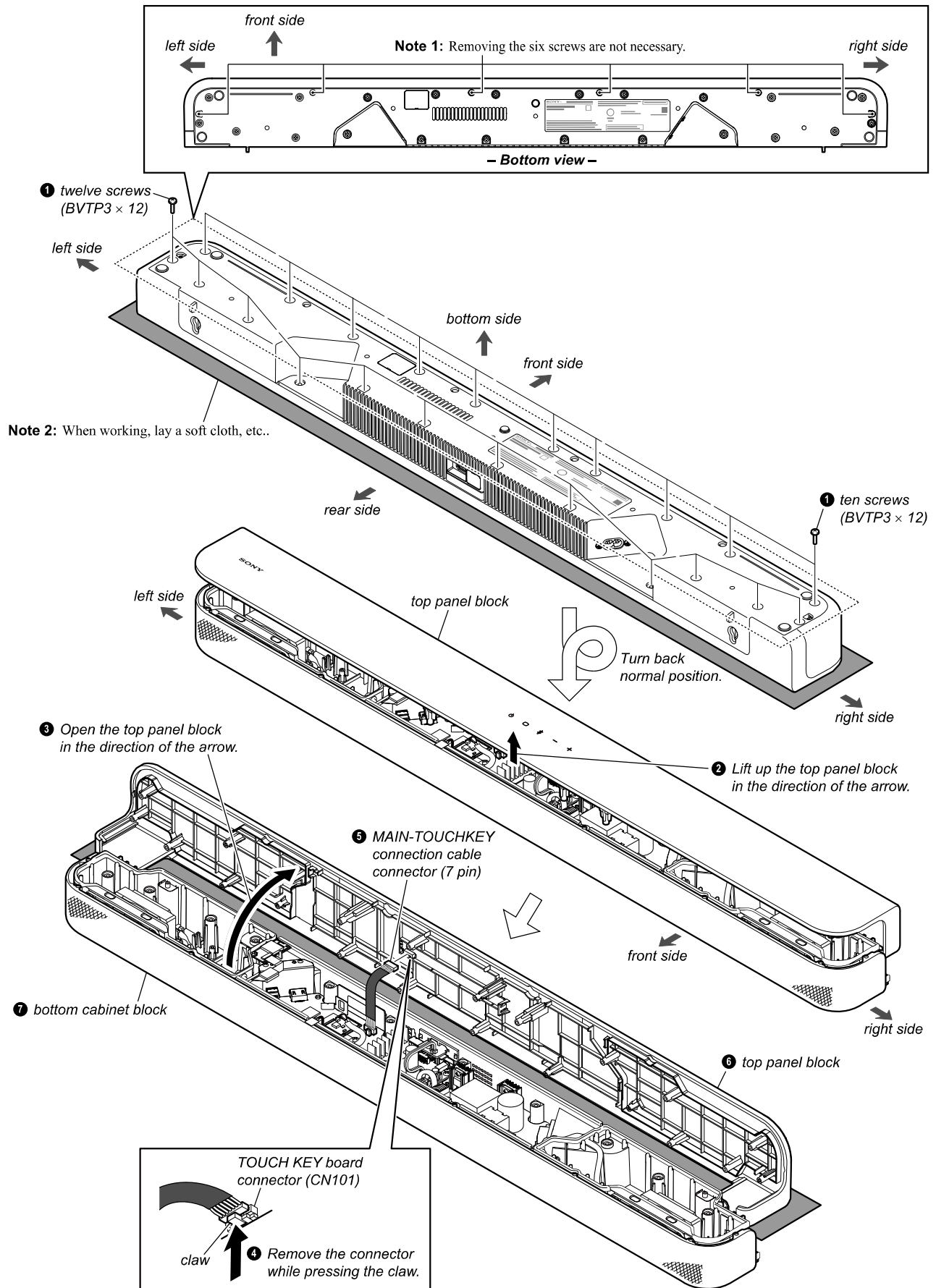
2-1. DISASSEMBLY FLOW



HT-S400/SC40/SD40

Note: Follow the disassembly procedure in the numerical order given.

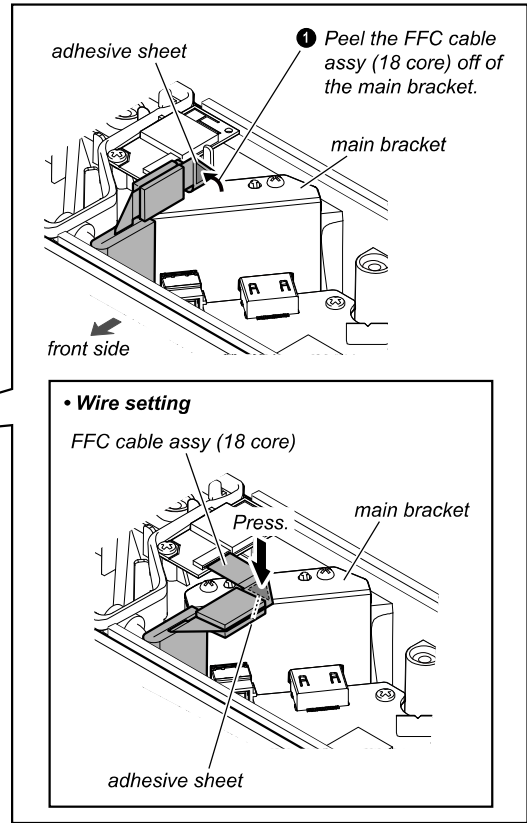
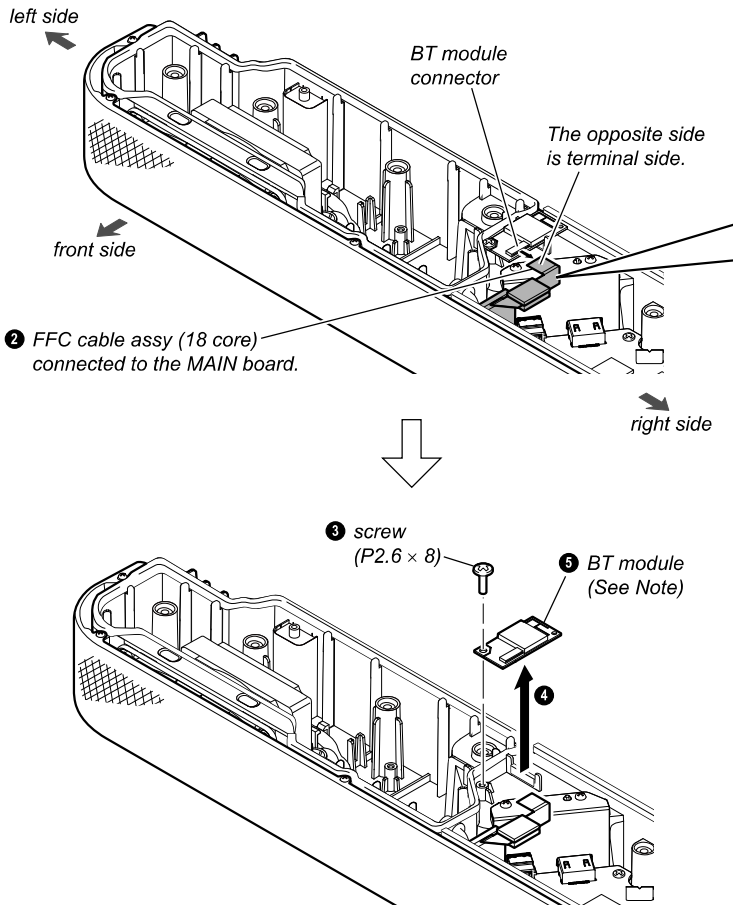
2-2. TOP PANEL BLOCK, BOTTOM CABINET BLOCK



HT-S400/SC40/SD40

2-3. BT MODULE

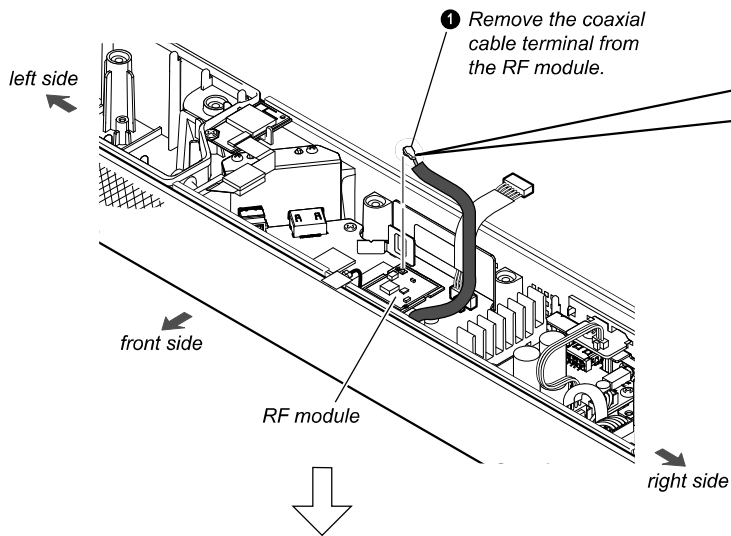
Note: When the BT module is replaced with a new part, be sure to refer to "IMPORTANT NOTE OF REPLACING THE BT MODULE" on page 6.



HT-S400/SC40/SD40

2-4. RF MODULE

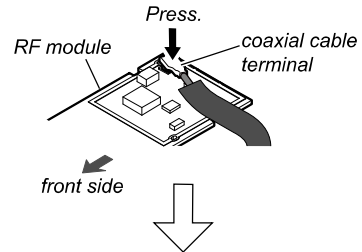
Note: When the RF module is replaced with a new part, refer to "NOTE OF REPLACING THE RF MODULE" on page 7.



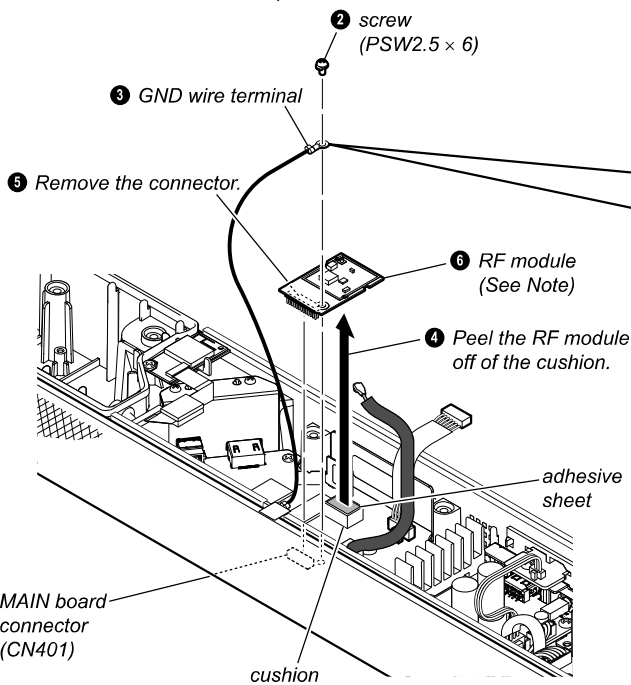
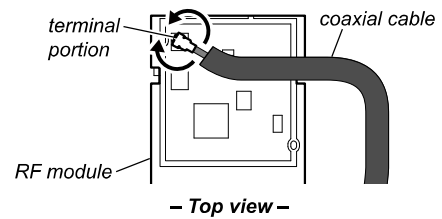
• How to install the coaxial cable terminal

Attach in order from ① to ②.

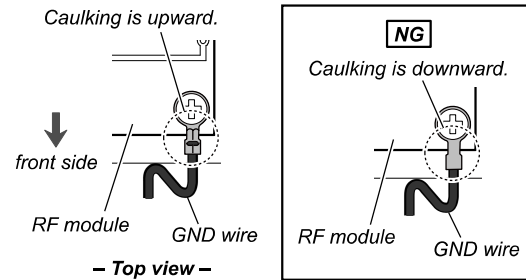
- ① Press the coaxial cable terminal vertically.



- ② Move the coaxial cable in the direction of the arrow and check that the terminal portion does not loosen.

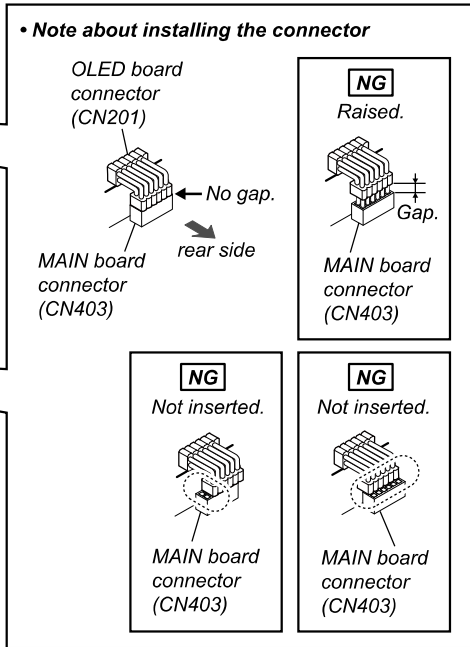
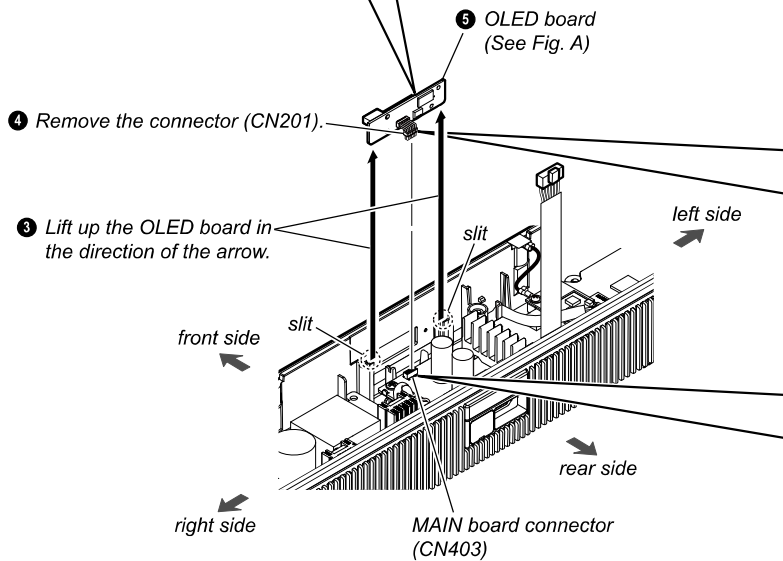
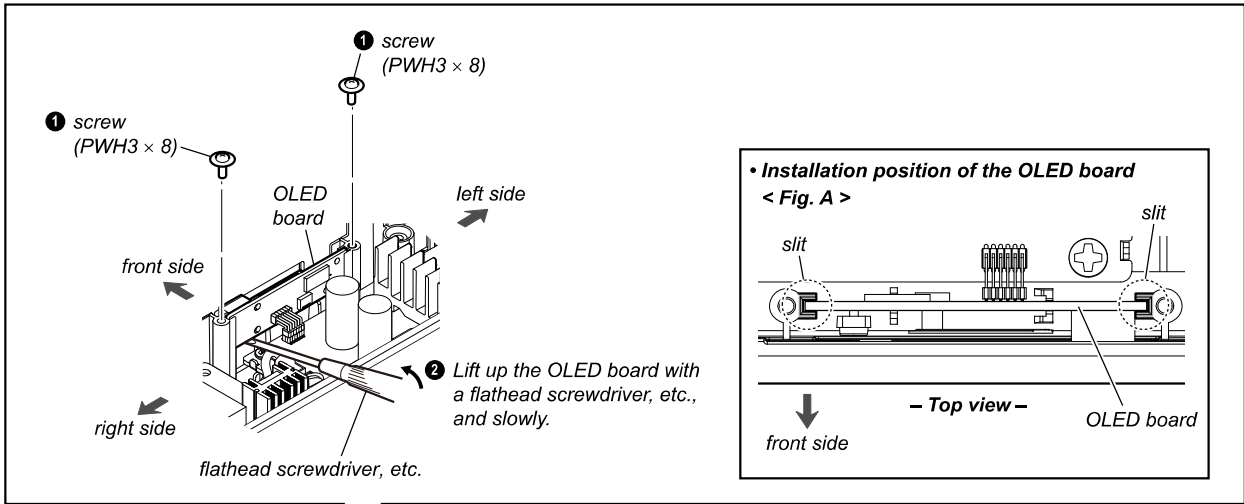


• Installation direction for the GND wire terminal



HT-S400/SC40/SD40

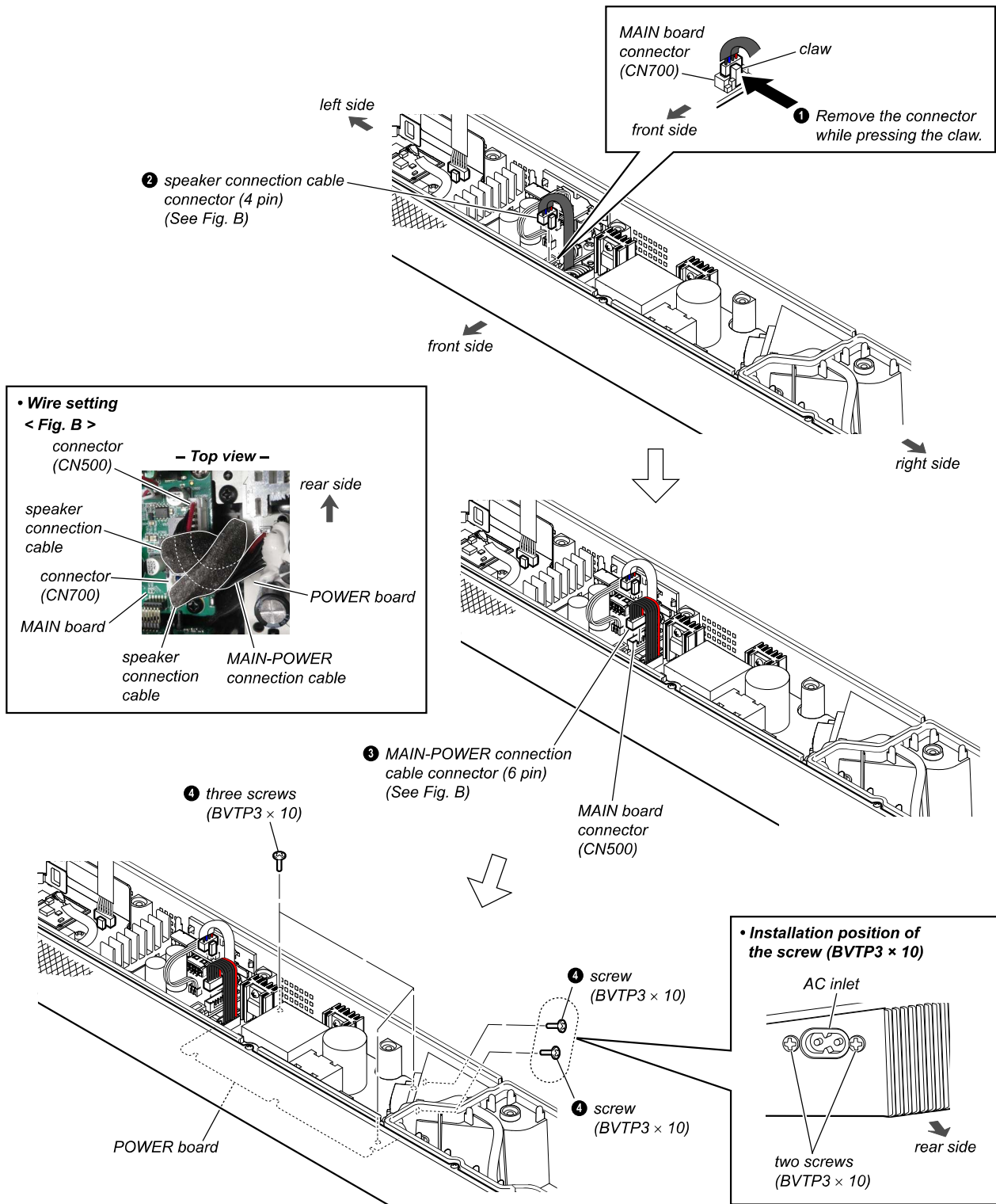
2-5. OLED BOARD



HT-S400/SC40/SD40

2-7. POWER BOARD-1

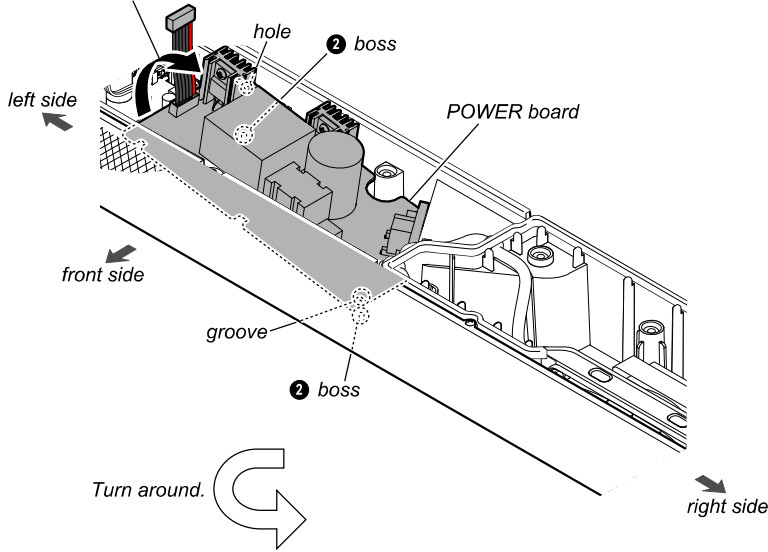
• Continued on 2-8 (page 17).



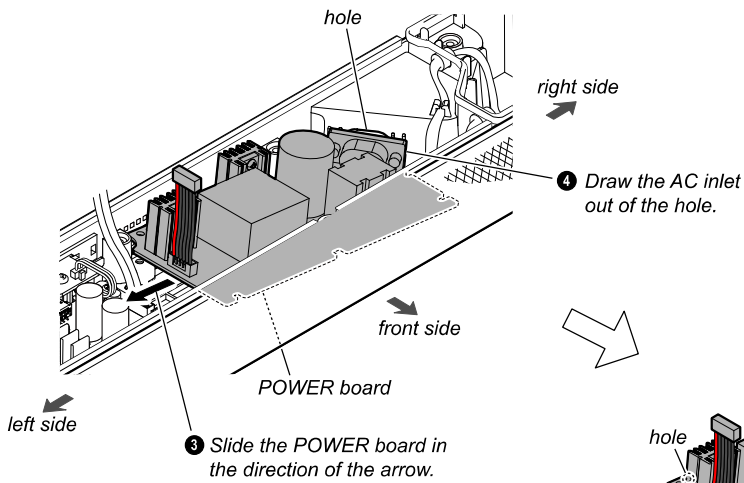
HT-S400/SC40/SD40

2-8. POWER BOARD-2

1 Lift up the POWER board (left side) in the direction of the arrow.

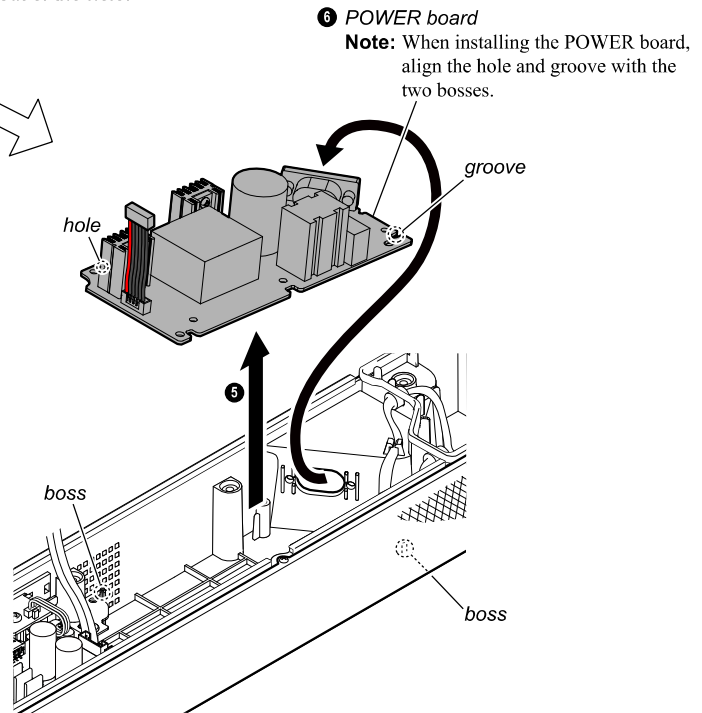


Turn around.



3 Slide the POWER board in the direction of the arrow.

4 Draw the AC inlet out of the hole.

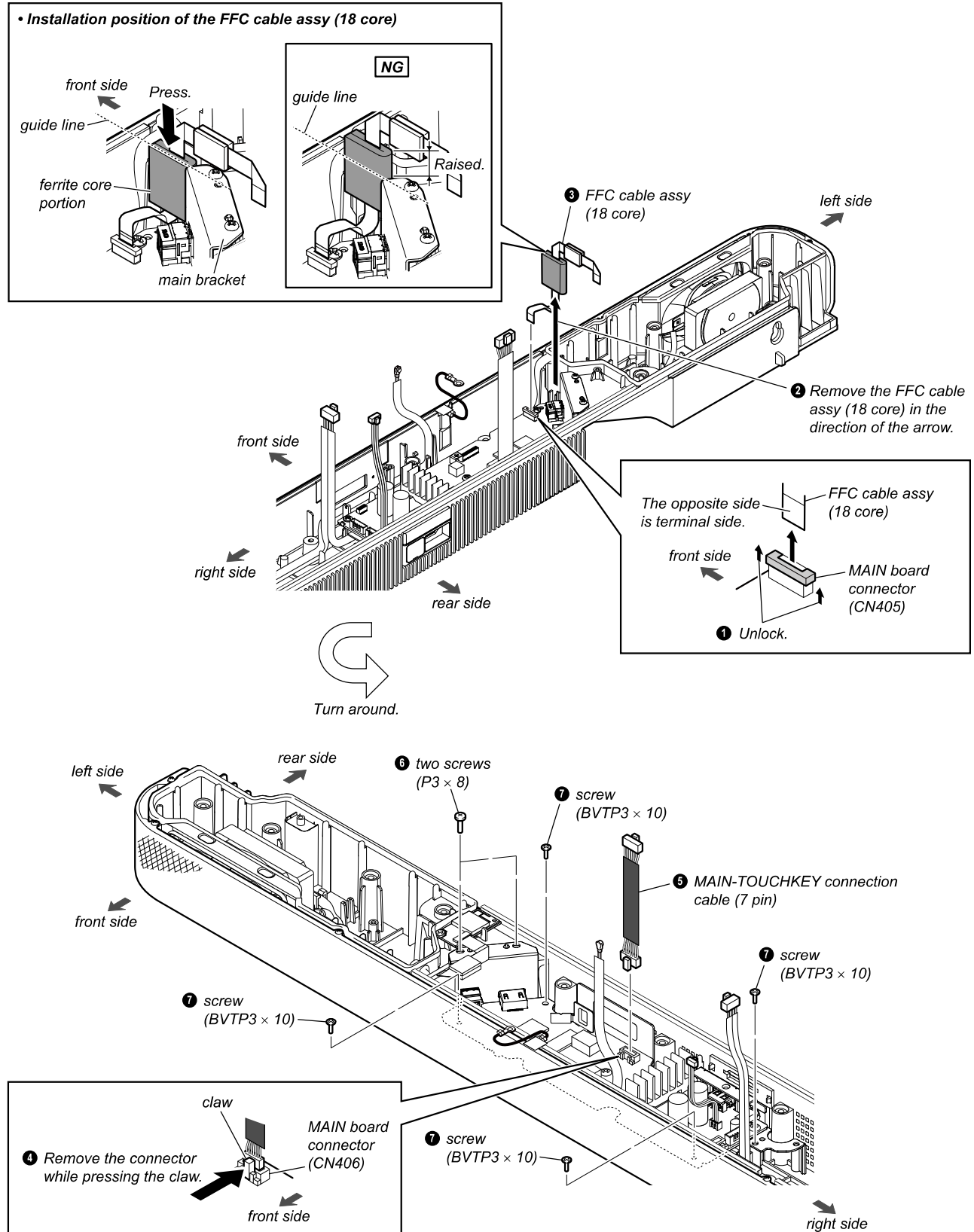


6 POWER board
Note: When installing the POWER board, align the hole and groove with the two bosses.

HT-S400/SC40/SD40

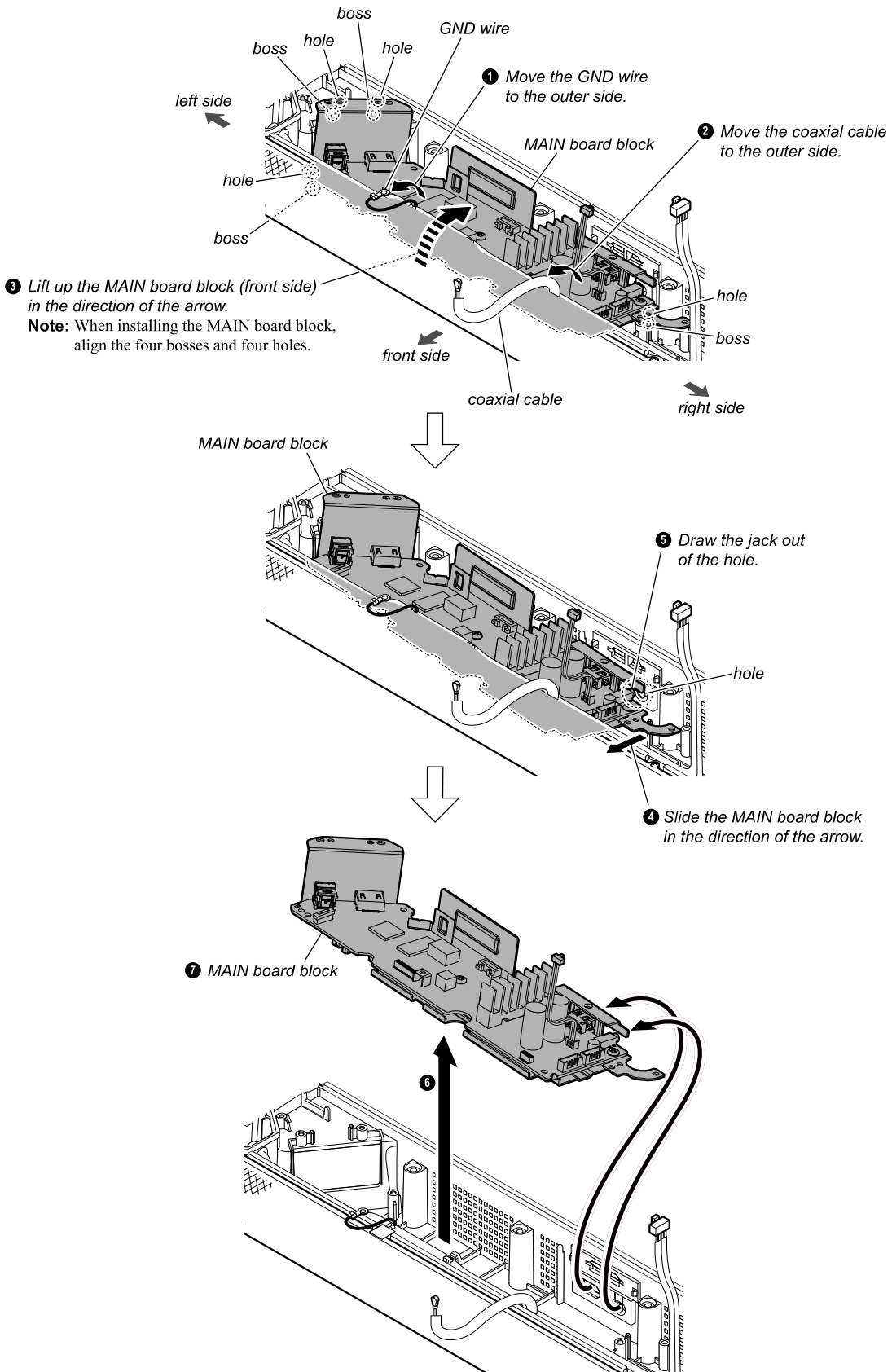
2-9. FFC CABLE ASSY, MAIN BOARD BLOCK-1

• Continued on 2-10 (page 19).



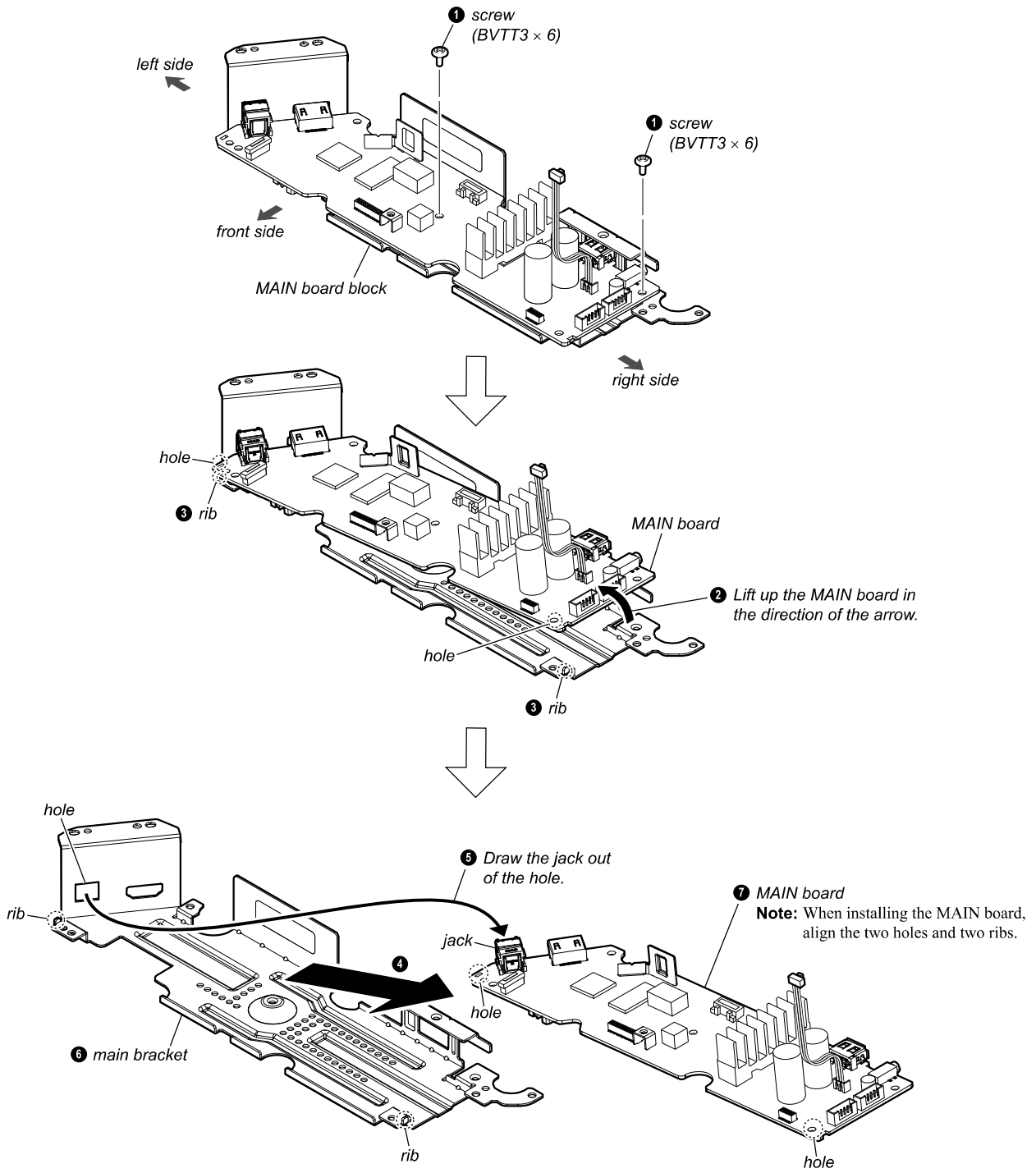
HT-S400/SC40/SD40

2-10. MAIN BOARD BLOCK-2



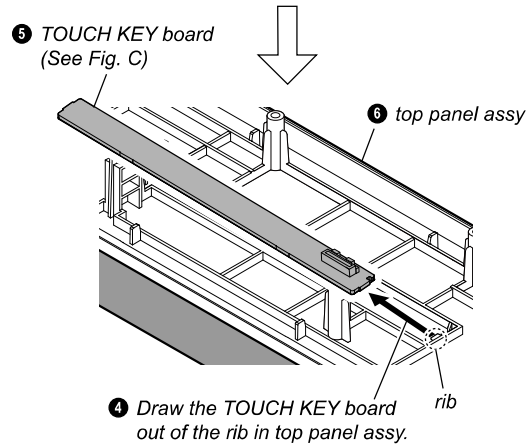
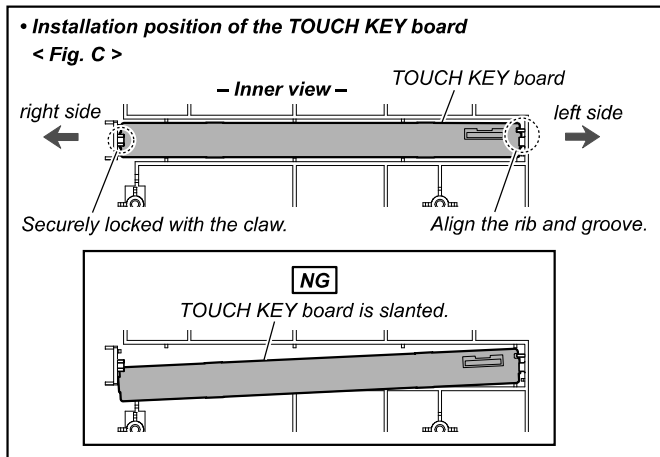
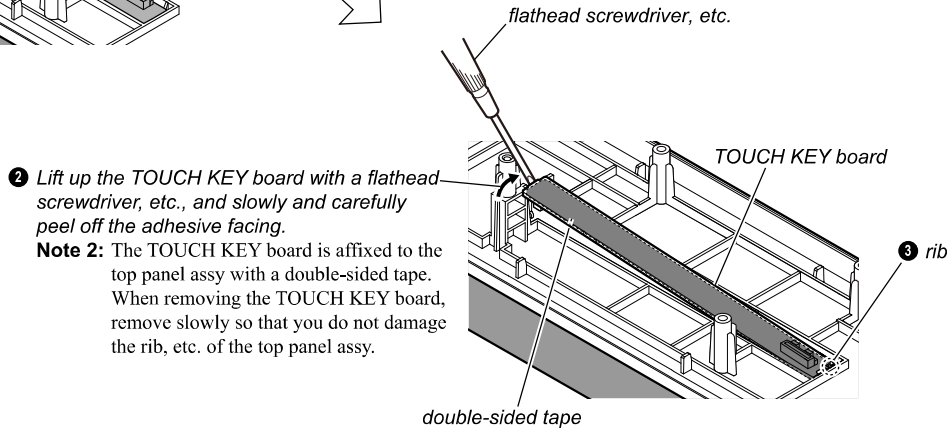
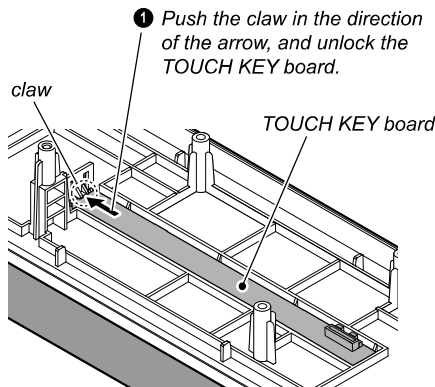
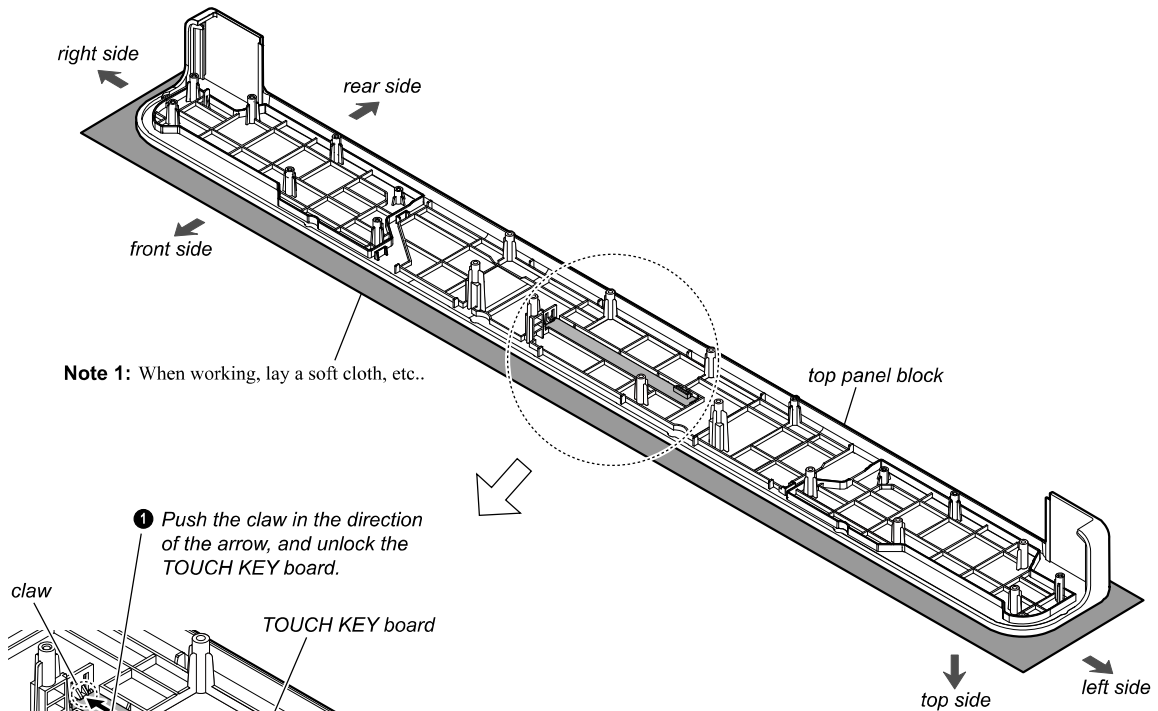
HT-S400/SC40/SD40

2-11. MAIN BOARD



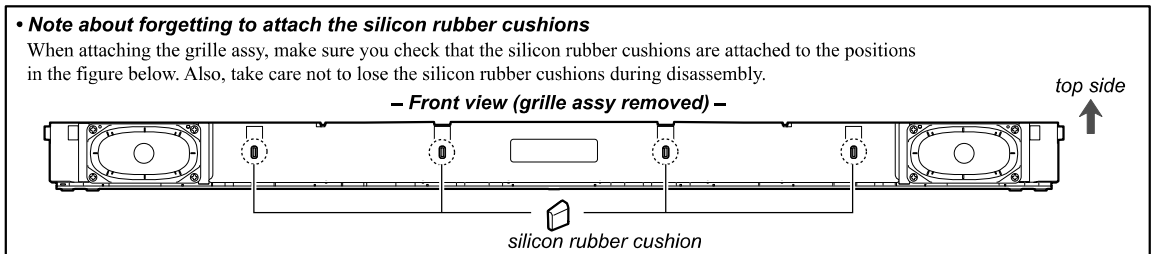
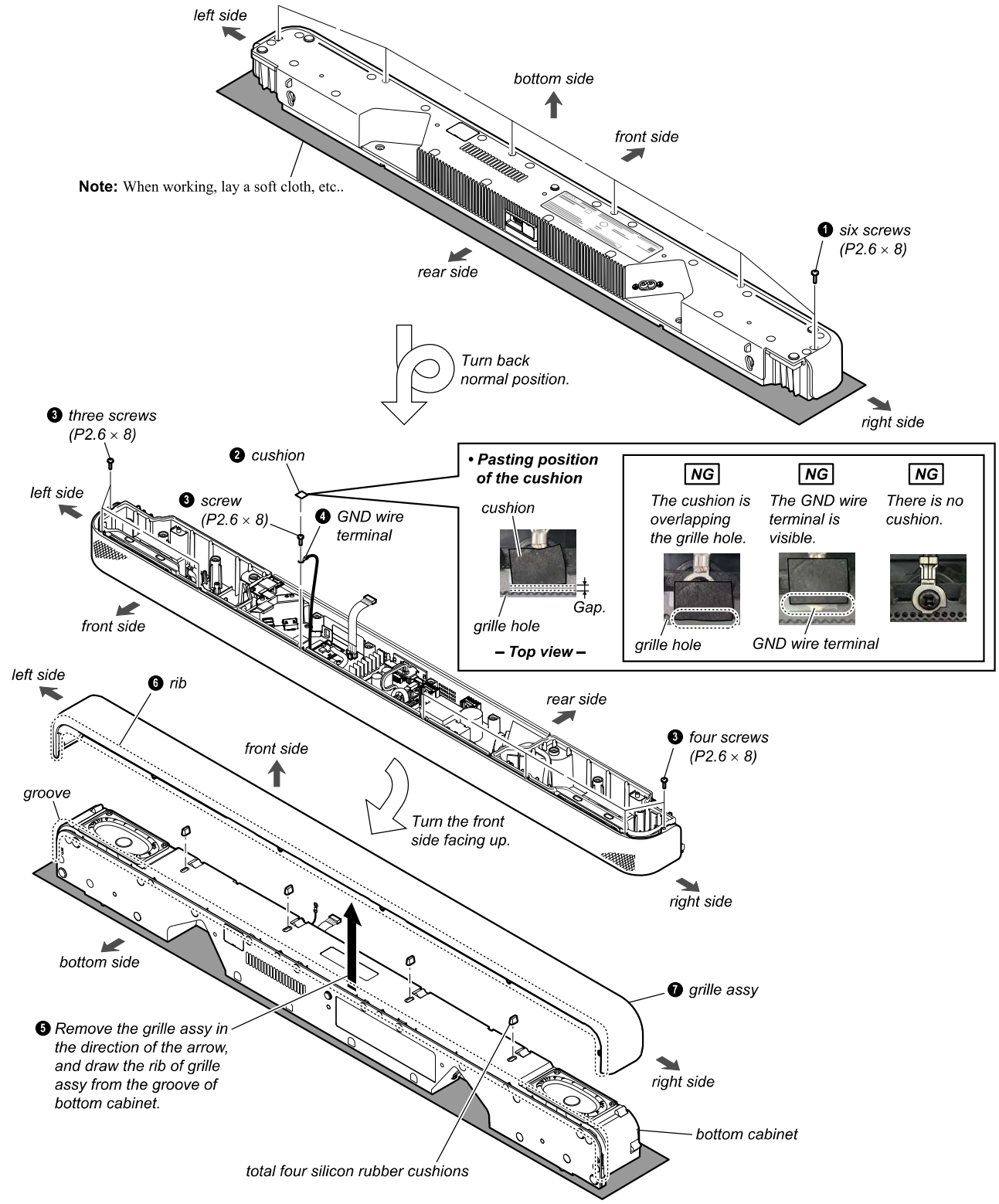
HT-S400/SC40/SD40

2-12. TOUCH KEY BOARD, TOP PANEL ASSY



HT-S400/SC40/SD40

2-13. GRILLE ASSY



HT-S400/SC40/SD40

2-14. SPK UNIT (FRONT SPEAKER)

Left side

1 Draw the speaker connection cable out of the three hooks.

– Top view –

front side

speaker connection cable

SPK unit

speaker connection cable

2 four screws (BVTP3 × 10)

3 Pull out the SPK unit a little.
Note 1: When installing the SPK unit, align the two holes and two bosses.

4 Press the protrusion of the terminal to unlock it and remove the terminal (wide) [red]. (See Fig. D)

5 SPK unit (front speaker)

4 Press the protrusion of the terminal to unlock it and remove the terminal (narrow) [black]. (See Fig. E)

Right side

1 Draw the speaker connection cable out of the two hooks.

– Top view –

front side

speaker connection cable

SPK unit

speaker connection cable

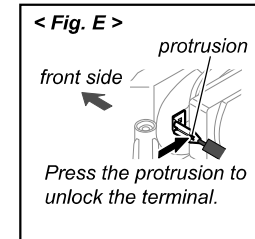
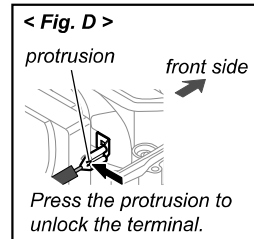
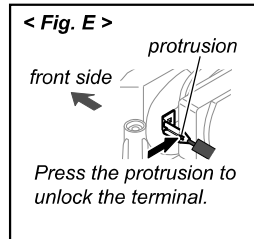
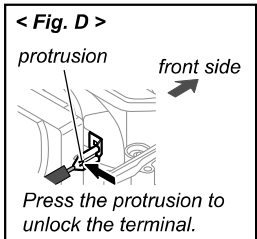
2 four screws (BVTP3 × 10)

3 Pull out the SPK unit a little.
Note 1: When installing the SPK unit, align the two holes and two bosses.

4 Press the protrusion of the terminal to unlock it and remove the terminal (wide) [blue]. (See Fig. D)

5 SPK unit (front speaker)

4 Press the protrusion of the terminal to unlock it and remove the terminal (narrow) [black]. (See Fig. E)



• Installation direction for the terminal of speaker connection cable

Note 2: When connecting the terminals of speaker connection cable to the SPK unit, be careful of the direction of the terminals.

for terminal (narrow)

– Left side/Right side –

NG

Gap.

SPK unit

[black]

Install with the caulked side facing outward.

for terminal (wide)

– Left side –

NG

Gap.

SPK unit

[red]

Install with the caulked side facing outward.

– Right side –

NG

Gap.

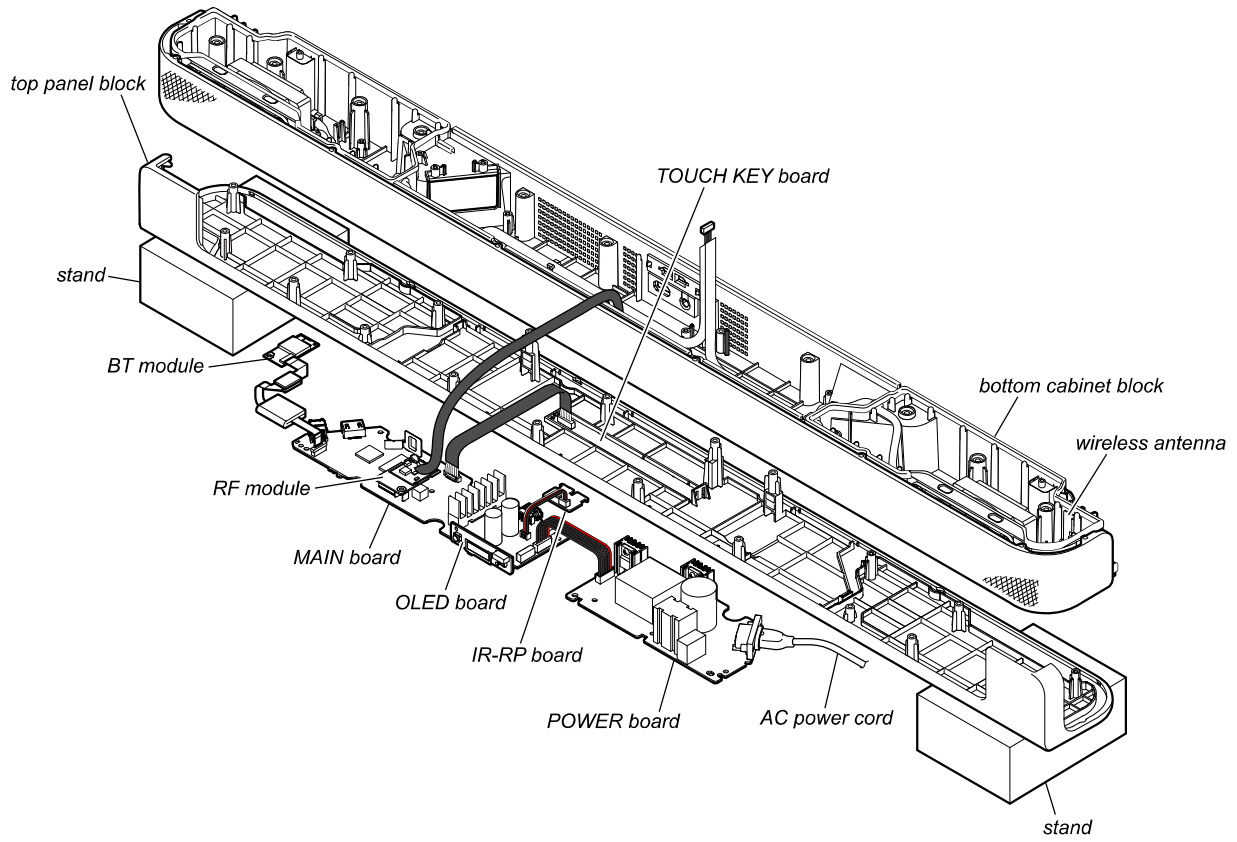
SPK unit

[blue]

Install with the caulked side facing outward.

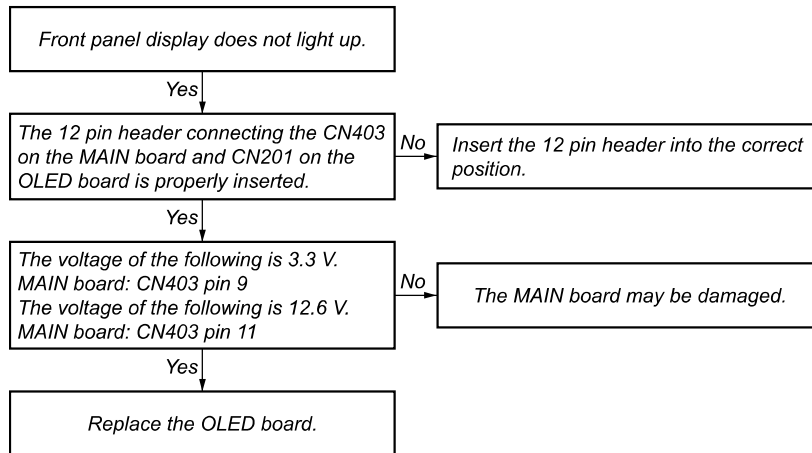
HT-S400/SC40/SD40

2-15. SERVICE POSITION

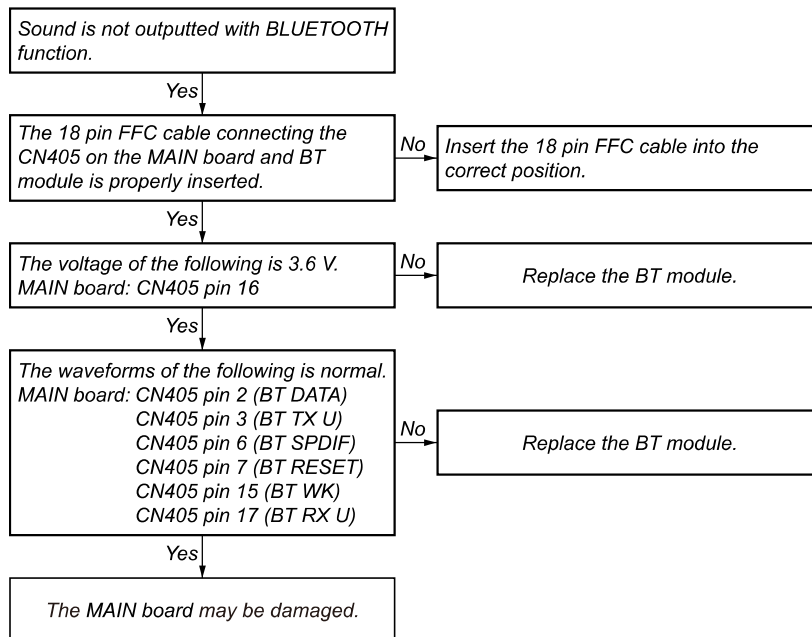


SECTION 3 TROUBLESHOOTING

1. Front panel display does not light up

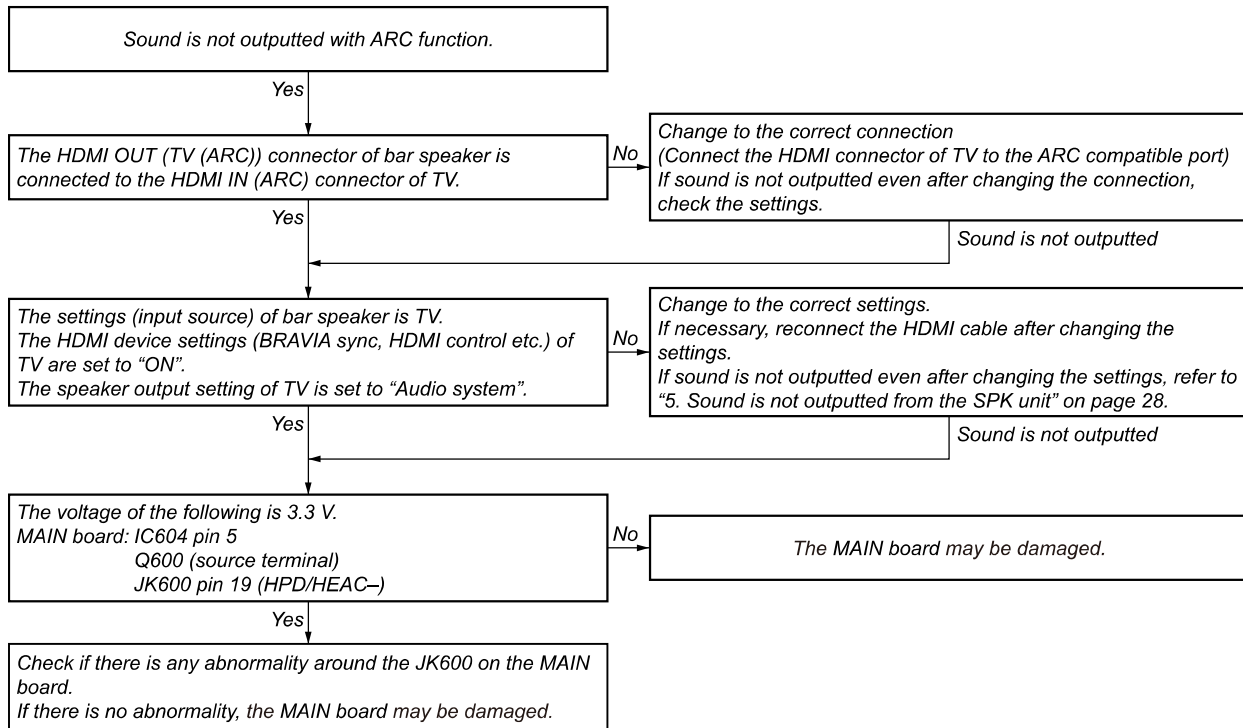


2. Sound is not outputted with BLUETOOTH function



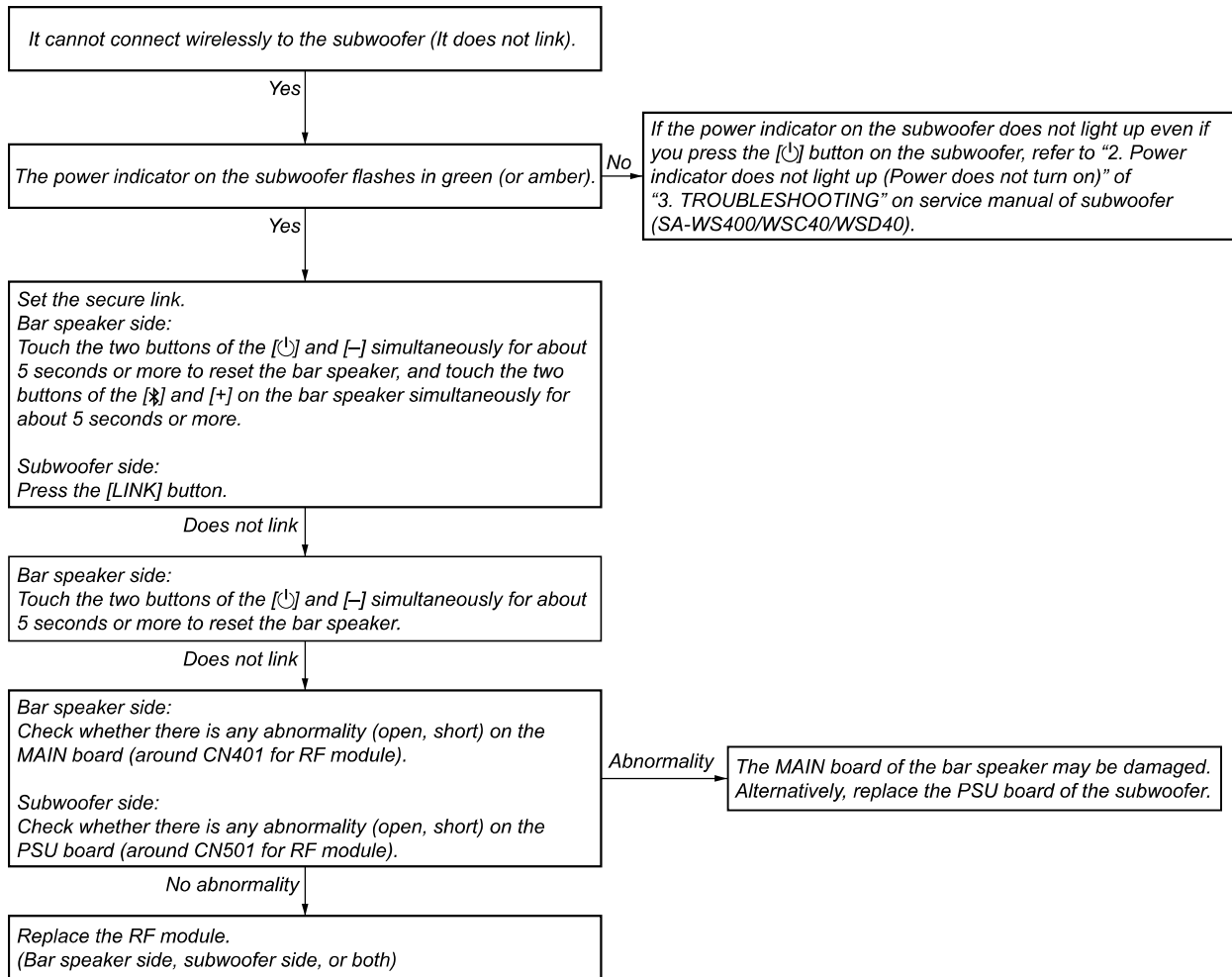
HT-S400/SC40/SD40

3. Sound is not outputted with ARC function



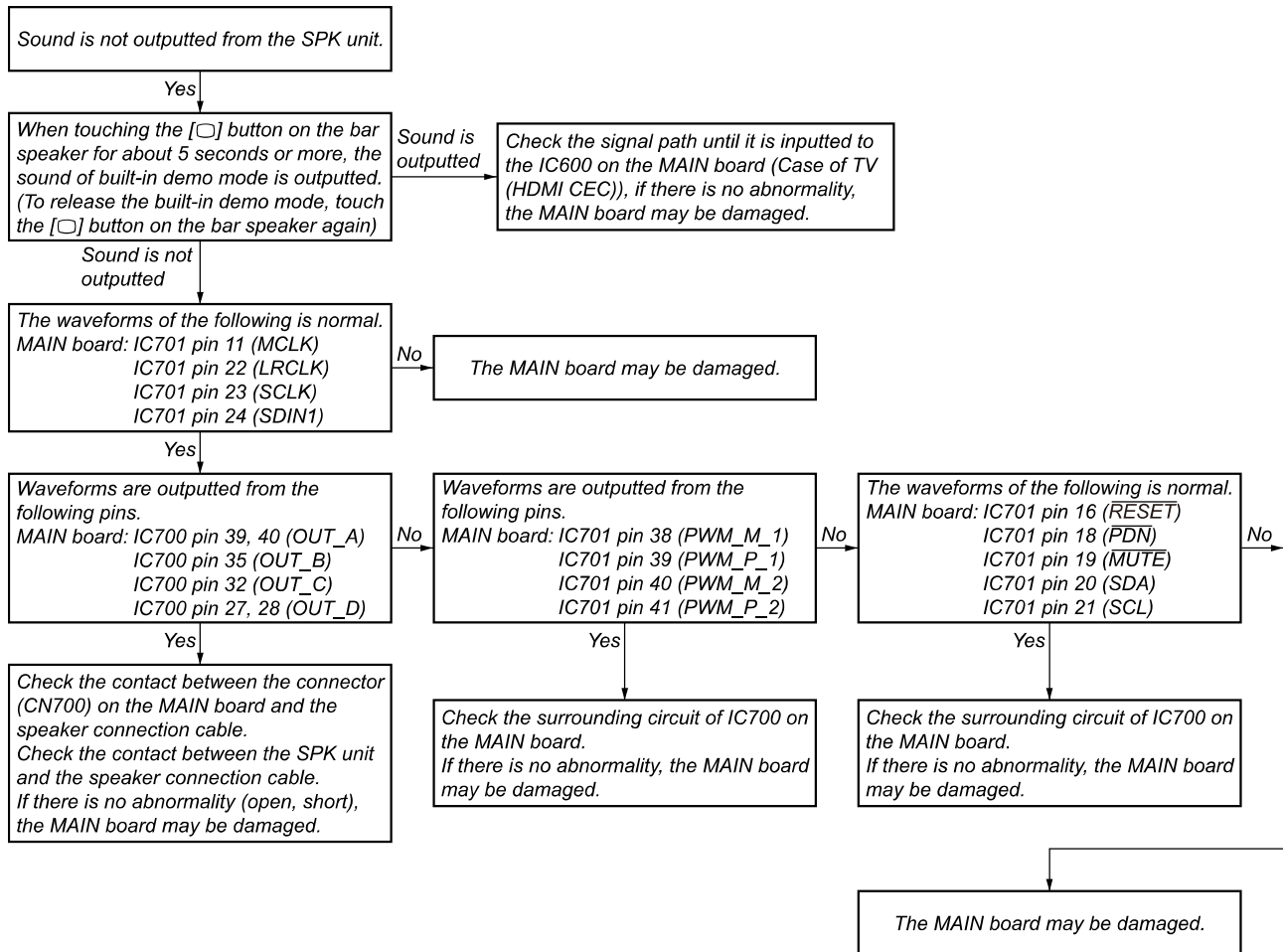
HT-S400/SC40/SD40

4. It cannot connect wirelessly to the subwoofer (It does not link)

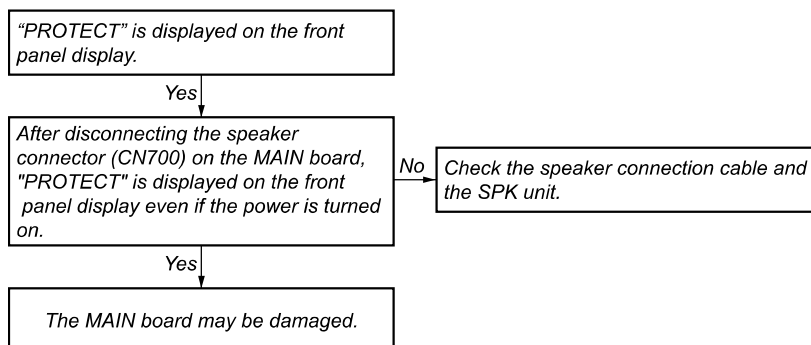


HT-S400/SC40/SD40

5. Sound is not outputted from the SPK unit



6. "PROTECT" is displayed on the front panel display



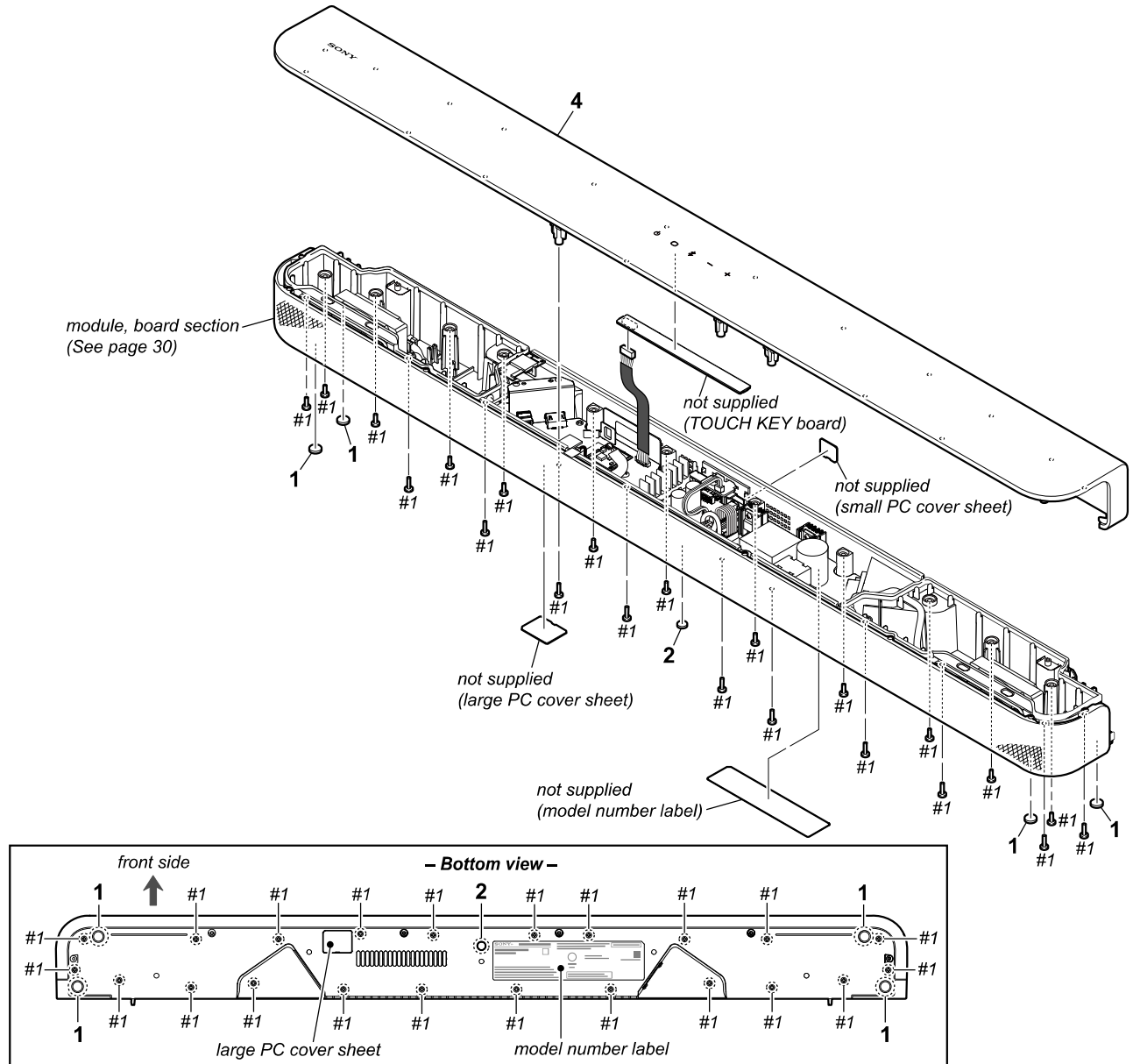
HT-S400/SC40/SD40

SECTION 4 EXPLODED VIEWS

Note:

- XX and -X mean standardized parts, so they may have some difference from the original one.
- Items marked "*" are not stocked since they are seldom required for routine service. Some delay should be anticipated when ordering these items.
- The mechanical parts with no reference number in the exploded views are not supplied.
- Color Indication of Appearance Parts Example:
KNOB, BALANCE (WHITE) . . . (RED)
↑ ↑
Parts Color Cabinet's Color

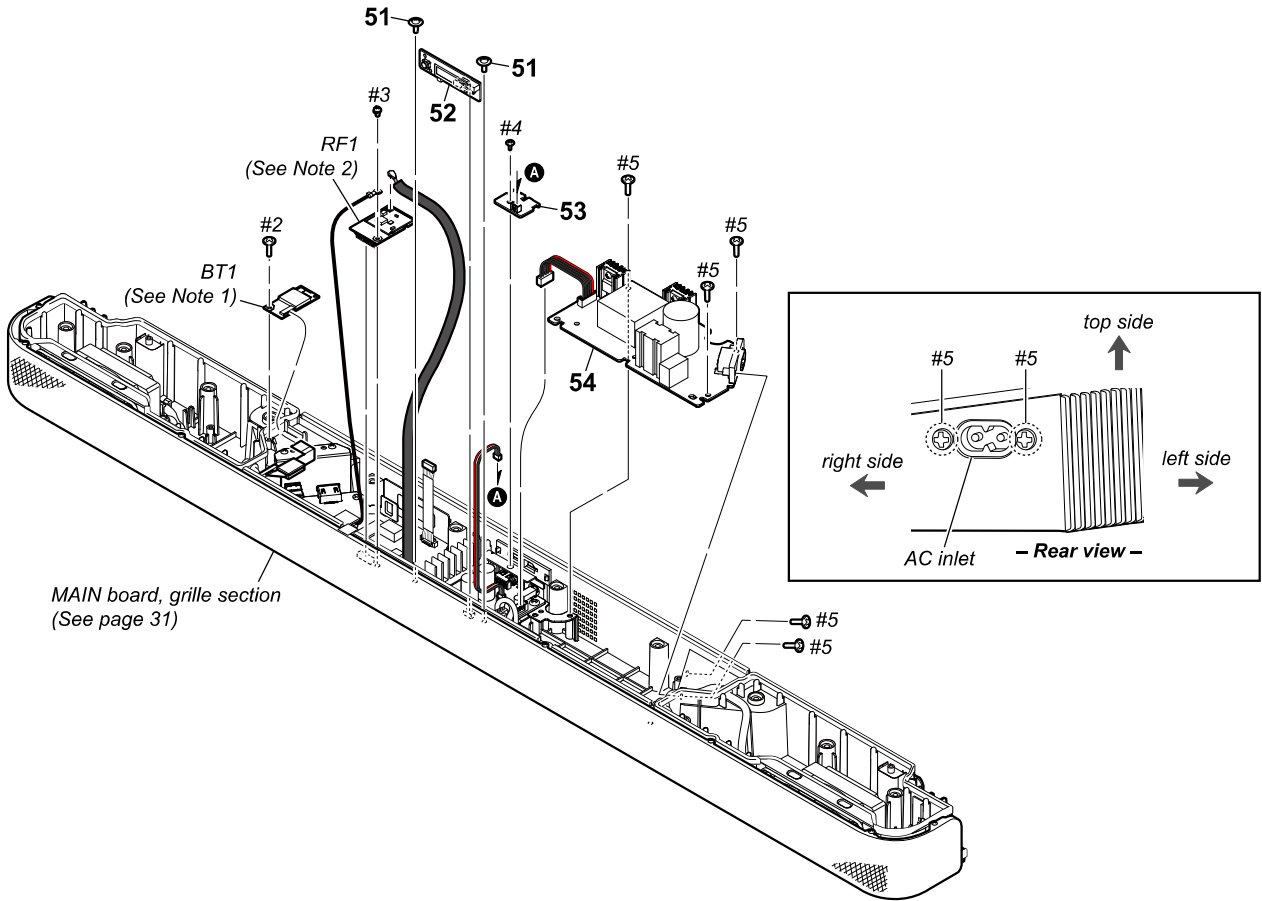
4-1. TOP PANEL, FOOT SECTION



Ref. No.	Part No.	Description	Remark	Ref. No.	Part No.	Description	Remark
1	459776001	CUSHION FOOT (1 piece) (for Left or Right)		#1	768564819	SCREW +BVTP 3X12 TYPE2 N-S (BLACK)	
2	469381201	FOOT, RUBBER (for Center)					
4	930101219	TOP PANEL ASSY (CD1, BAR) (with Non-weave felt, EVA cushion)					

HT-S400/SC40/SD40

4-2. MODULE, BOARD SECTION



MAIN board, grille section
(See page 31)

Note 1: When the BT module (Ref. No. BT1) is replaced with a new part, be sure to refer to "IMPORTANT NOTE OF REPLACING THE BT MODULE" on page 6.

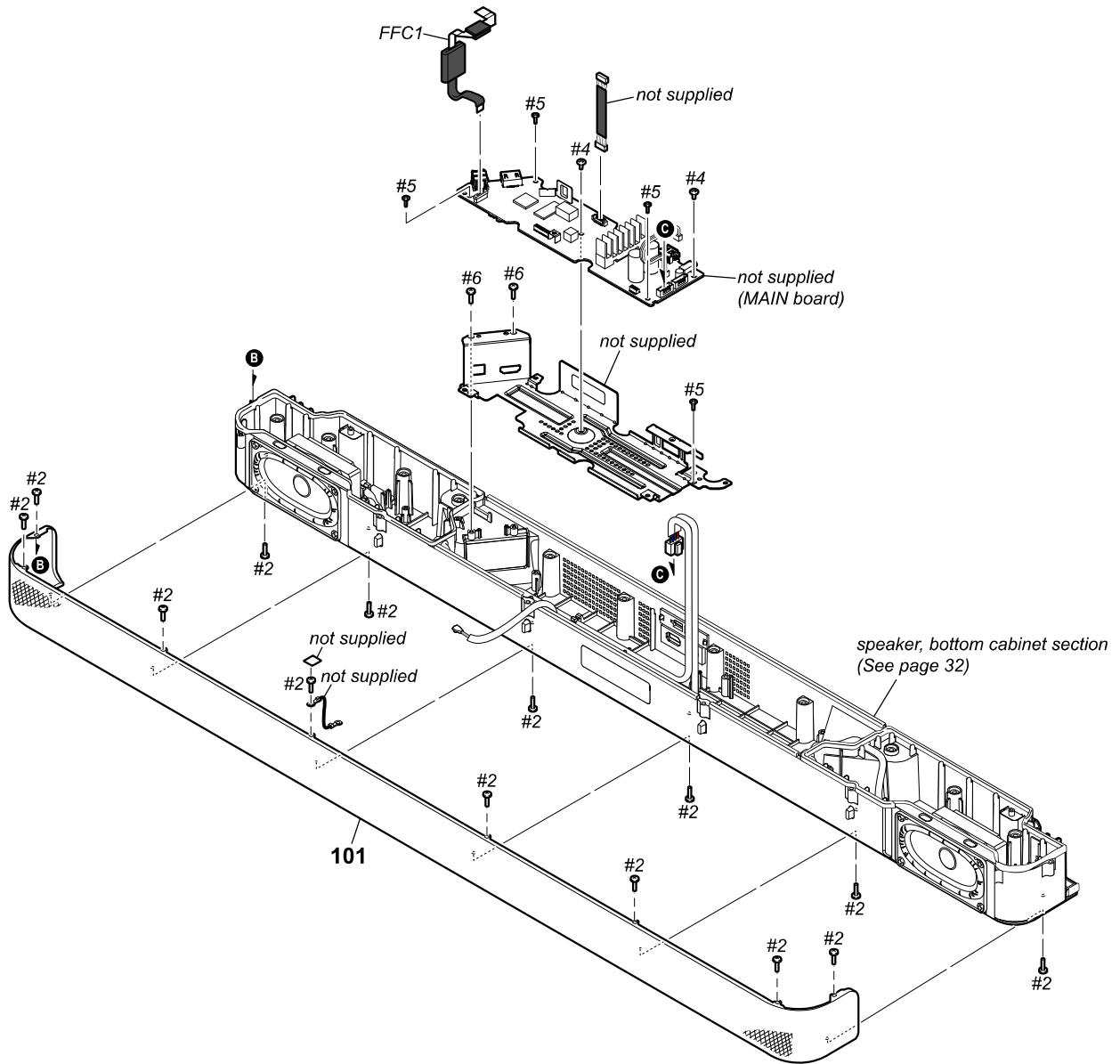
Note 2: When the RF module (Ref. No. RF1) is replaced with a new part, refer to "NOTE OF REPLACING THE RF MODULE" on page 7.

Ref. No.	Part No.	Description	Remark
51	930101234	+PWH3X8 (SILVER)	
52	930101221	OLED BOARD, COMPLETE	
53	930101223	IR-RP BOARD, COMPLETE	
54	930101231	POWER BOARD, COMPLETE (Bond applied)	
BT1	930101224	BT MODULE_1 (CD1, BAR) (See Note 1)	

Ref. No.	Part No.	Description	Remark
RF1	930101226	RF MODULE (CD1, BAR) (See Note 2)	
#2	768513419	SCREW +P 2.6X8 TYPE2 NON-SLIT (BLACK)	
#3	762176345	+PSW 2.5X6 (SILVER)	
#4	768587101	SCREW +BVTT 3X6 (S) (SILVER)	
#5	768564719	SCREW +BVTP 3X10 TYPE2 N-S (BLACK)	

HT-S400/SC40/SD40

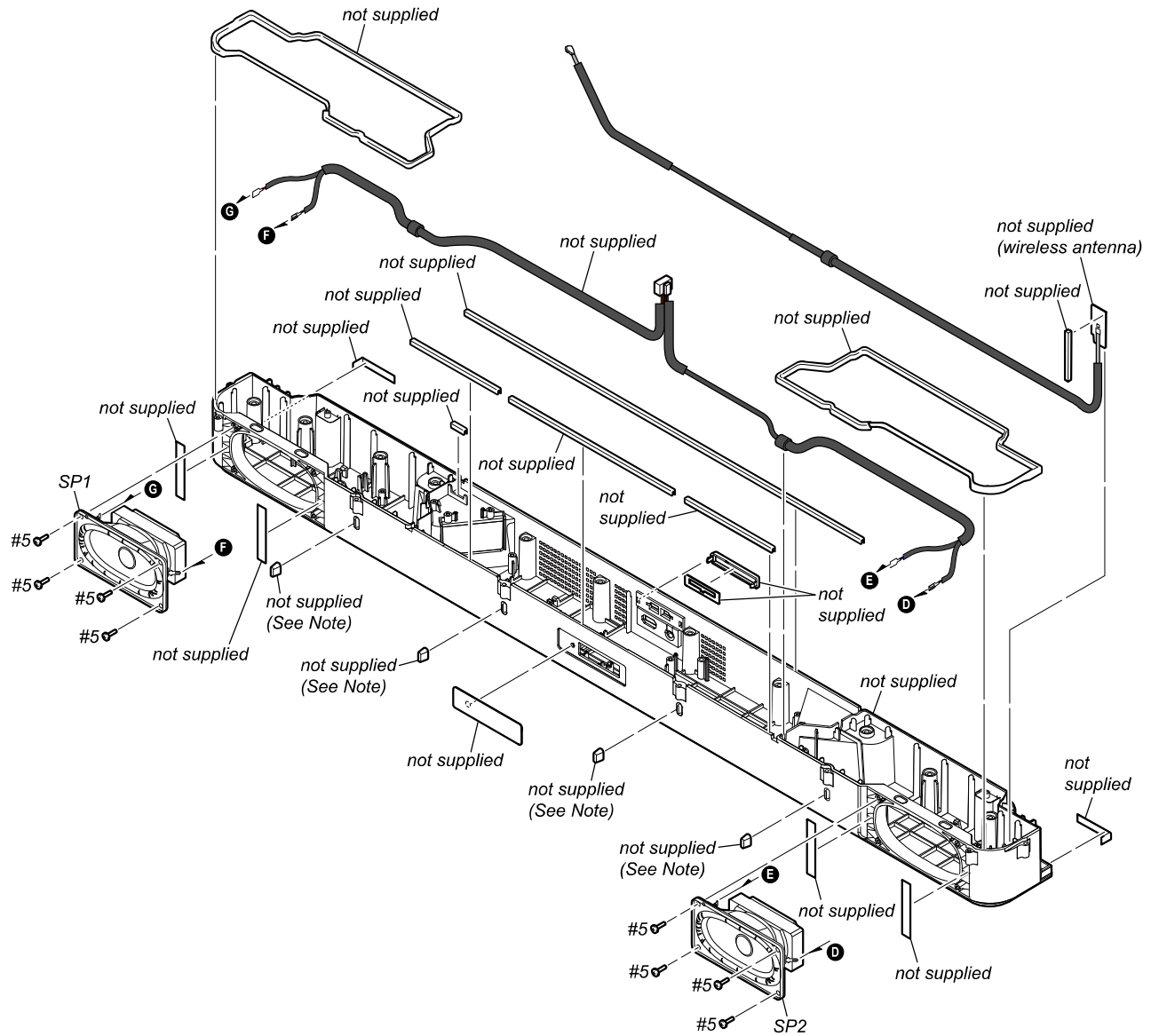
4-3. MAIN BOARD, GRILLE SECTION



Ref. No.	Part No.	Description	Remark	Ref. No.	Part No.	Description	Remark
101	930101218	GRILLE ASSY (CD1, BAR) (with EVA cushion)		#5	768564719	SCREW +BVTP 3X10 TYPE2 N-S (BLACK)	
FFC1	930101253	FFC CABLE ASSY (18 core) (with Ferrite core)		#6	768514611	SCREW +P 3X8 TYPE2 NON-SLIT (SILVER)	
#2	768513419	SCREW +P 2.6X8 TYPE2 NON-SLIT (BLACK)					
#4	768587101	SCREW +BVTT 3X6 (S) (SILVER)					

HT-S400/SC40/SD40

4-4. SPEAKER, BOTTOM CABINET SECTION



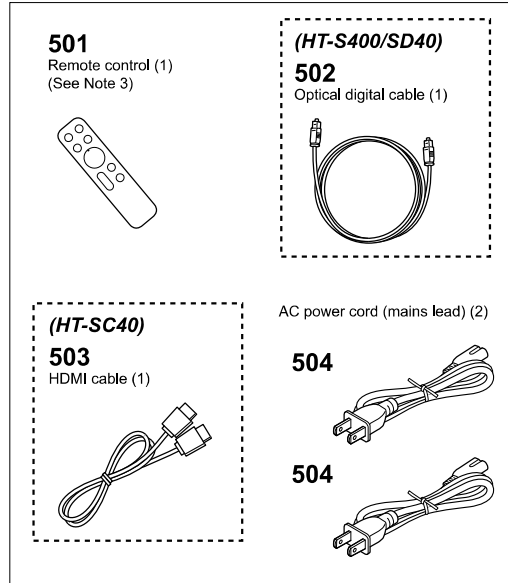
Note: When attaching the grille assy, make sure you check that the silicon rubber cushions are attached.
Also, take care not to lose the silicon rubber cushions during disassembly.

Ref. No.	Part No.	Description	Remark	Ref. No.	Part No.	Description	Remark
SP1	930101220	SPK UNIT (CD1, BAR) (Front speaker: Lch)		#5	768564719	SCREW +BVTP 3X10 TYPE2 N-S (BLACK)	
SP2	930101220	SPK UNIT (CD1, BAR) (Front speaker: Rch)					

HT-S400/SC40/SD40

SECTION 5
ACCESSORIES

Ref. No.	Part No.	Description	Remark	Ref. No.	Part No.	Description	Remark
	503477311	OPERATING INSTRUCTIONS (ENGLISH) (HT-S400) (Type C) (See Note 2)		501	930101083	REMOTE COMMANDER (RMT-AH513U) (Remote control) (See Note 3)	
	503477321	OPERATING INSTRUCTIONS (FRENCH) (HT-S400) (Type C) (See Note 2)		502	930100366	OPT CABLE (Optical digital cable) (HT-S400/SD40)	
	503477331	OPERATING INSTRUCTIONS (SPANISH) (HT-S400) (Type C) (See Note 2)		503	930101311	HDMI CABLE (HT-SC40)	
	503482311	OPERATING INSTRUCTIONS (ENGLISH) (HT-SD40) (Type C) (See Note 2)		△ 504	930100414	AC CORD-US (AC power cord (mains lead)) (1 piece)	
	503482321	OPERATING INSTRUCTIONS (FRENCH) (HT-SD40) (Type C) (See Note 2)					
	503482331	OPERATING INSTRUCTIONS (SPANISH) (HT-SD40) (Type C) (See Note 2)					
	503708711	OPERATING INSTRUCTIONS (ENGLISH) (HT-SC40) (Type C) (See Note 2)					
	503708721	OPERATING INSTRUCTIONS (FRENCH) (HT-SC40) (Type C) (See Note 2)					
	503708731	OPERATING INSTRUCTIONS (SPANISH) (HT-SC40) (Type C) (See Note 2)					
	504864611	OPERATING INSTRUCTIONS (ENGLISH) (HT-S400) (Type V) (See Note 2)					
	504864621	OPERATING INSTRUCTIONS (FRENCH) (HT-S400) (Type V) (See Note 2)					
	504864631	OPERATING INSTRUCTIONS (SPANISH) (HT-S400) (Type V) (See Note 2)					
	504864811	OPERATING INSTRUCTIONS (ENGLISH) (HT-SD40) (Type V) (See Note 2)					
	504864821	OPERATING INSTRUCTIONS (FRENCH) (HT-SD40) (Type V) (See Note 2)					
	504864831	OPERATING INSTRUCTIONS (SPANISH) (HT-SD40) (Type V) (See Note 2)					
	504865011	OPERATING INSTRUCTIONS (ENGLISH) (HT-SC40) (Type V) (See Note 2)					
	504865021	OPERATING INSTRUCTIONS (FRENCH) (HT-SC40) (Type V) (See Note 2)					
	504865031	OPERATING INSTRUCTIONS (SPANISH) (HT-SC40) (Type V) (See Note 2)					



Note 3: The type name (RMT-AH513U) of remote control is engraved on the rear side of remote control. For detail, refer to “TYPE NAME OF REMOTE CONTROL” on page 9.

The components identified by mark △ or dotted line with mark △ are critical for safety. Replace only with part number specified.

Note 1: Wall mount template and Startup guide are excluded for service.

Note 2: For the HT-S400, HT-SC40 and HT-SD40, the production country has been changed from China to Vietnam in the midway of production. In this service manual, operating instructions for Chinese production are described to as “Type C” and operating instructions for Vietnam production are described to as “Type V”. The distinguishing method of Type C and Type V, refer to the Part No. or printing country (“Printed in China” or “Printed in Vietnam”) printed on the operating instructions.