



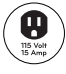
# Portable Air Conditioner **SVC MANUAL(General)**

**MODEL : LP1413SHR**

## **CAUTION**

Before Servicing the unit, read the safety precautions in General SVC manual.  
Only for authorized service personnel.

# 1. Specification

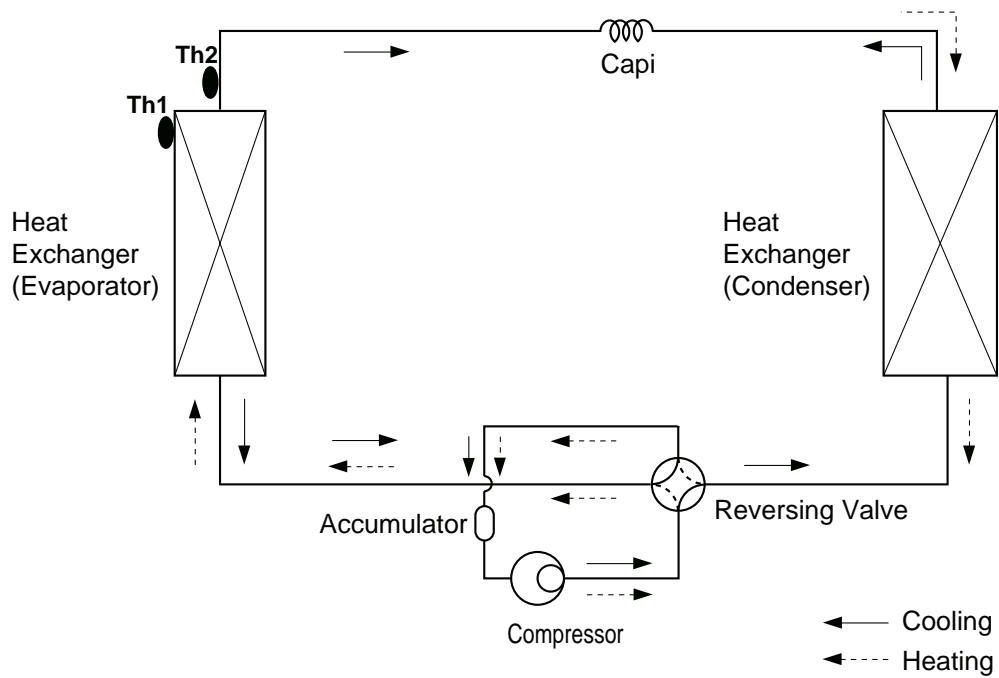
Buyer Model	<b>LP1413SHR</b>	
LG Model	<b>XWH141YDMM2</b>	
<b>PERFORMANCE</b>		
Btu performance (Cooling)	14000	
Btu performance (Heating)	14000	
EER	10.1	
COP	10.1	
Dehumid. ( Pts/Hr)	3.4	
Dry Air Flow (CFM)	270	
dBA Level (Front)	55	
<b>ELECTRICAL RATINGS</b>		
Voltage / 60 Hz	115	
Plug Type		
Watts	1380	
Rated Amps	12.0	
<b>FEATURES</b>		
Display Panel	White LCD	
Thermostat Control	YES	
Remote Controller	LCD Remote Controller	
Control Button Type	Digital touch sensor	
Auto Swing	Yes	
Energy saver switch	Yes	
Auto Restart	Yes	
Auto Door Open/Close System	Yes	
Timer	24Hr,On/Off	
Fan Speed : Cooling	3	
Fan Only	3	
Compressor	LVN	
Indoor / Outdoor Fan Type	Blower	
Type Air Discharge	Inclined and Top	
Water Full Indicator	Yes(check)	
Outdoor Vent / Exhaust	Exhaust Only(1.5M)	
Power Cord		
Chassis Type	Fixed	
Panel Color	Silver	
Easy-Roll Casters	Yes	
Air Filter	Washable	
Window Installation Kit	Yes	
<b>DIMENSIONS &amp; WEIGHTS</b>		
Net	Height_inch(mm)	33 1/16 (840)
	Width	18 1/2 (470)
	Depth	13 (330)
Carton	Height_inch(mm)	34 7/16 (875)
	Width	23 1/8 (587)
	Depth	17 1/2 (444)
	Net Weight_lbs.(kg)	72.8 (33)
	Shipping Weight_lbs.(kg)	81.6 (37)
	Stuffing Quantity (20ft/40ft/40ft High)	100/200/300

Note:

O : Applied, - : No relation

\* For circuit breaker rating, please conform to local standards wherever necessary.

## 2. Piping Diagrams

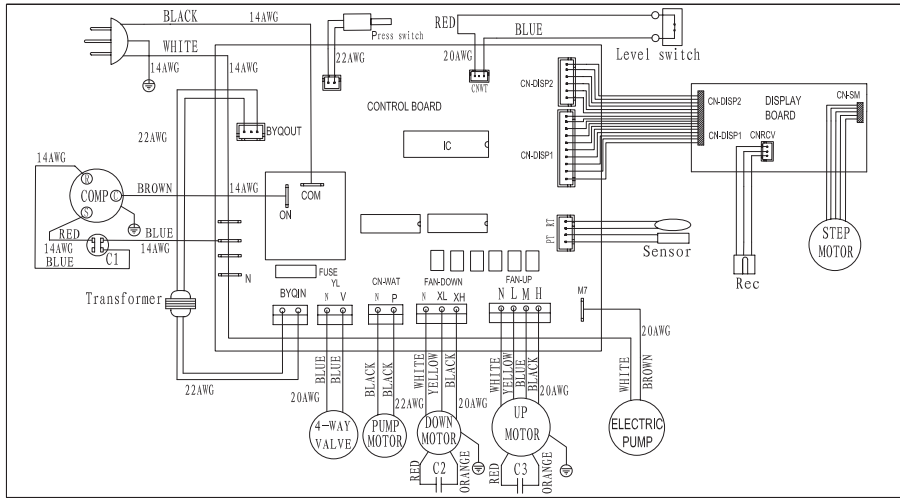


LOC.	Description	PCB Connector
Th1	Thermistor for indoor Air temperature	RT
Th2	Thermistor for evaporator temperature	CN-IDPT

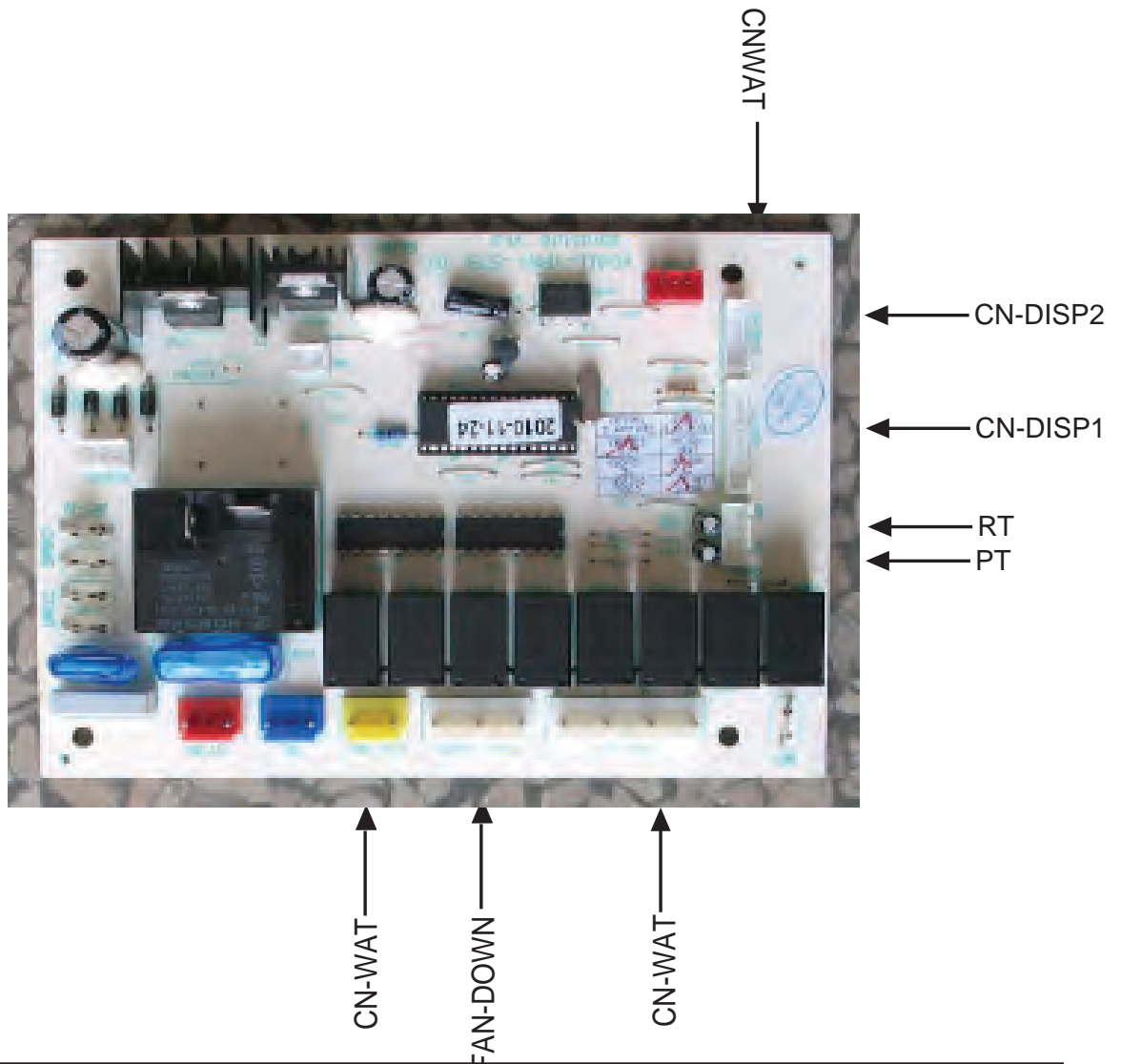
# 3. Wiring Diagrams

YPN1-H

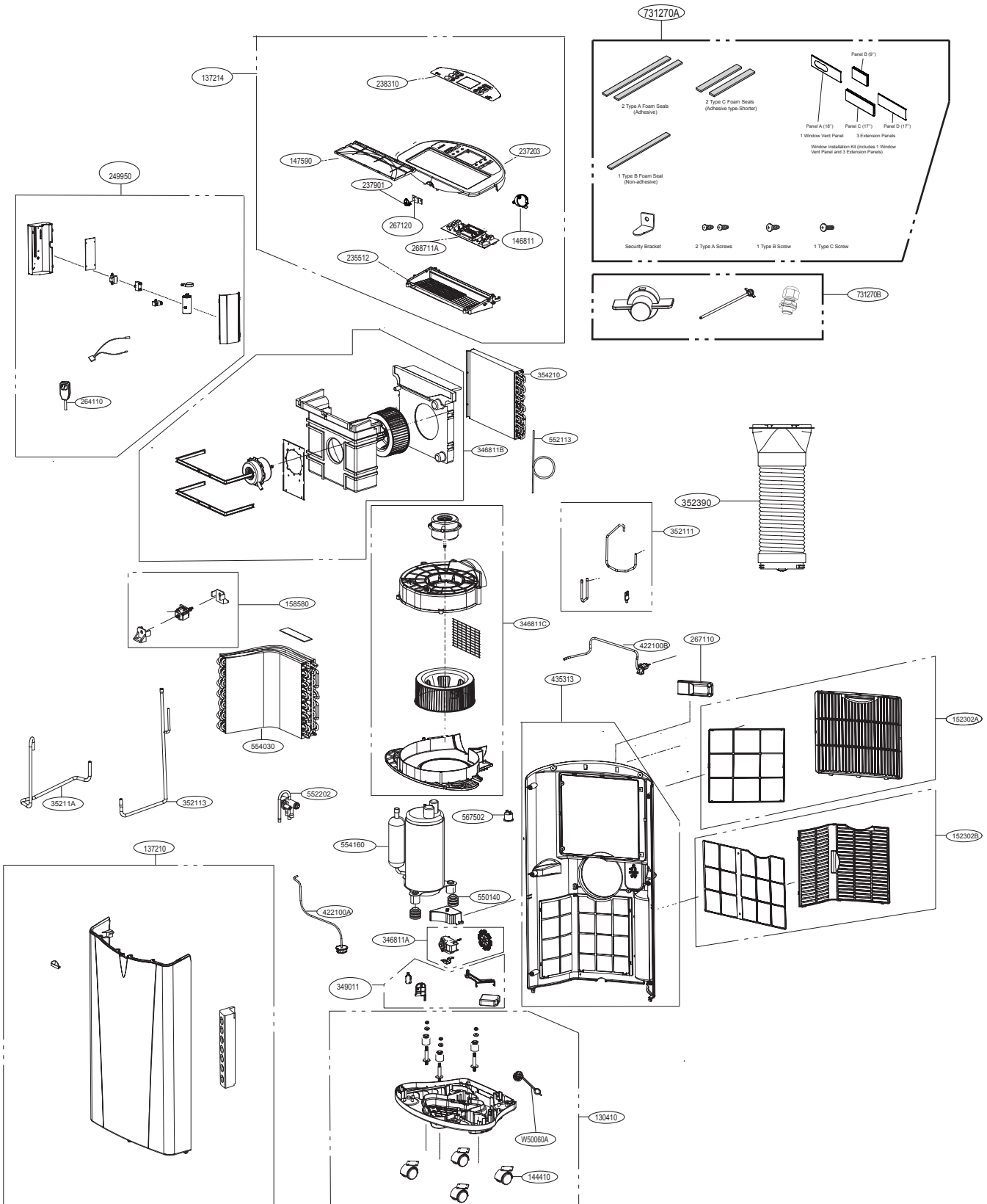
## ELECTRIC CIRCUIT DIAGRAM



WIRING DIAGRAM



# 4. Exploded View



**Note) \* Please ensure GCSC since the replacement parts may be changed depending upon the buyer's request. Please check the correct parts in View RPL(Replacement Part List) on GCSC. (GCSC Website <http://biz.Lgservice.com>.)**



Mar 2013